

Inhoudsopgave

Achteras Aandrijving	95
Achteras Behuizing	73
Brandstof Tank	35
Bumper & Motorkapsluiting	37
Dashbord	59
Differentieel Slot	99
Driepunt	155
Eindvertraging Wiel	97
Elecktrisch	113
Gaskabels	17
Hydrauliek	117
Hydrauliek Hef	129
Hydrauliek PTO - Diff. Slot	125
Hydrauliek Stuur	121
Hydrauliek Ventielen	127
Kabine	175
Koppeling	79
Koppeling Pedaal & Aansturing	81
Luchtfiler	27
Middenstuk & As	71
Motor	5
Motorkap	39
Oliekoeler	119
P.T.O.	101
P.T.O. Schakeling	107
Radiator	19
Rem Pedalen	111
Remmen	109
Rolbeugel & Spatschermen Voor	43
Schakelpoken & Gaffels	91
Schakelpook & Zitting Montage	61
Spatschermen Achter	51
Spatschermen Voor	45
Stickers	55
Tandwielen	83
Treepanken & Kappen	47
Trekhaak	163
Vooras Aandrijving	75
Vooras Behuizing	67
Wielen & Banden	169
Zittingen	63
Parts Index	205

Code	Description	Notes
A.01.01_1_48842	ENGINE	Engine: 75 CV
A.01.02_1_45599	ENGINE	Engine: 85 CV
A.01.03_1_45644	ENGINE	Engine: 95 CV
A.02.01_0_42497	ENGINE CONTROLS	
A.03.01_0_45689	COOLER	Engine: 75 CV
A.03.02_0_45727	COOLER	Engine: 85 CV, 95 CV
A.04.01_0_45765	AIR FILTER	Engine: 75 CV
A.04.02_0_45780	AIR FILTER WITH EXTERNAL AIR INTAKE	Engine: 75 CV
A.04.03_0_45796	AIR FILTER	Engine: 85 CV, 95 CV
A.04.04_0_45812	AIR FILTER WITH EXTERNAL AIR INTAKE	Engine: 85 CV, 95 CV
A.05.01_0_45829	FUEL TANK	
B.01.01_0_47067	FRONT SUPPORT	
B.02.01_1_47161	BONNET	
B.03.01_0_50545	FRONT MUDGUARDS	
B.03.02_0_50571	FRONT MUDGUARDS (VERSION WITH CAB)	
B.04.01_0_39904	BOARDS	
B.04.02_0_39936	BOARDS (VERSION WITH CAB)	
B.05.01_0_50640	REAR MUDGUARDS	
B.05.02_0_50667	REAR MUDGUARDS (VERSION WITH CAB)	
B.07.01_0_42552	PLATES AND STICKERS	
B.08.01_0_38736	DASHBOARD	
B.09.01_0_38809	SEAT SUPPORT / GEAR LEVERS COVER	
B.12.01_0_46793	SEAT (STANDARD)	
B.12.02_0_51039	SEAT (KAB)	
C.01.01_1_38975	FRONT AXLE FRONT AXLE	
C.02.01_0_39058	CENTRAL SECTION	
C.03.01_0_39252	REAR AXLE	
D.01.01_0_40115	FRONT TRANSMISSION	
D.02.01_0_39284	CLUTCH FRONT SHAFT / TRANSMISSION CLUTCH	
D.03.01_1_39393	CLUTCH CONTROLS	Version: RS-M, AR-M
D.04.01_1_42845	INPUT SHAFT / RANGES MAIN SHAFT / GEARS	Version: RS-M, RS-R, AR-M, AR-R
D.05.01_1_42883	GEARS MAIN SHAFT / GEARS	Version: RS-M, RS-R, AR-M, AR-R
D.06.01_1_42932	GEARS TRANSMISSION SHAFT / GEARS	Version: RS-M, RS-R, AR-M, AR-R
D.07.01_1_39618	GEARBOX CONTROLS	

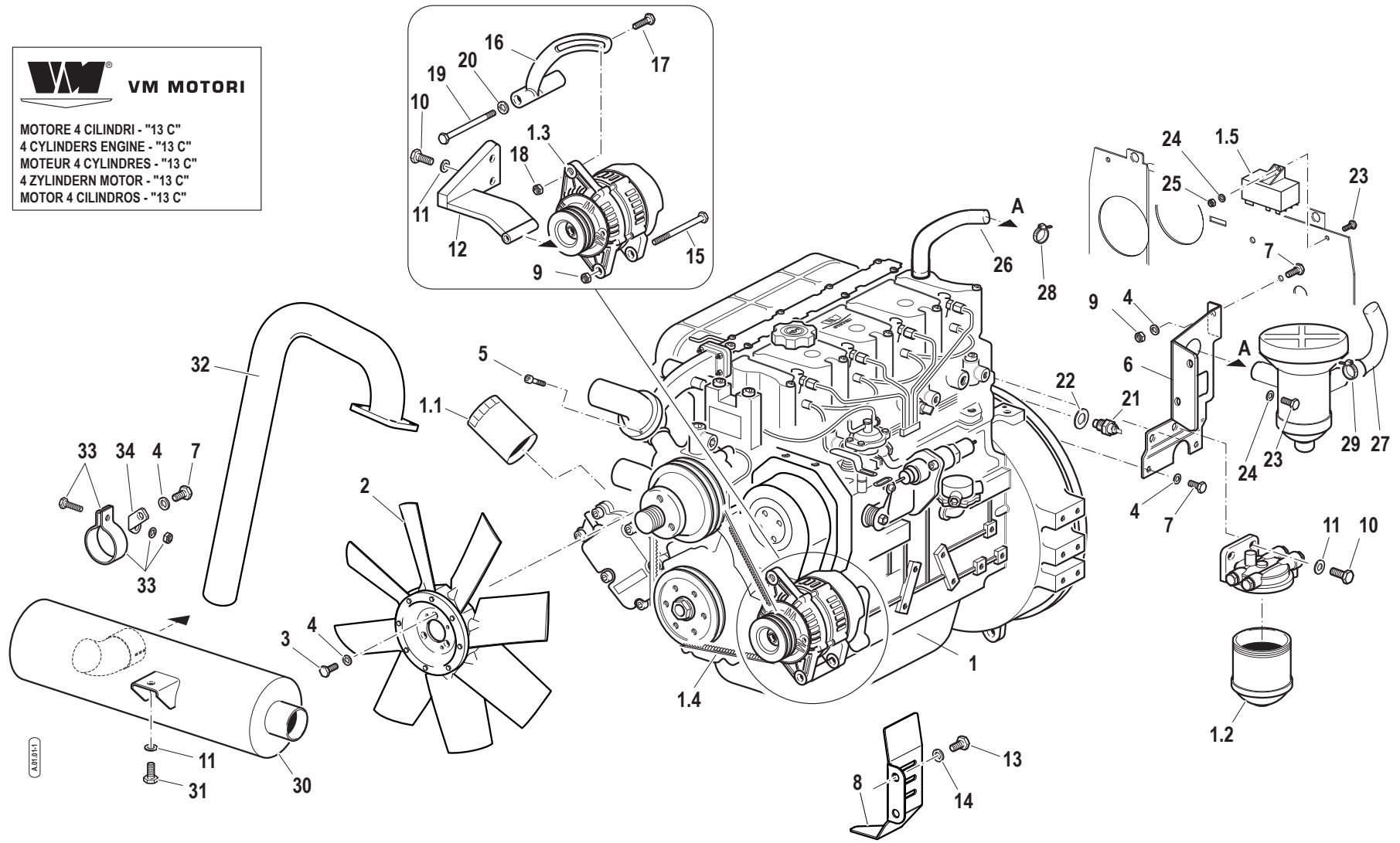
Thor 75–85-95 RS monodirezionale

Code	Description	Notes
D.09.01_0_39847	REAR TRANSMISSION	
D.10.01_0_39887	EPYCLIC REDUCTION GEARS	
D.11.01_0_40184	DIFFERENTIAL LOCK	
D.12.01_1_40279	POWER TAKE-OFF	
D.13.01_0_40355	POWER TAKE-OFF CONTROLS	
D.14.01_0_40378	BRAKES	
D.15.01_0_40390	BRAKES CONTROLS	
E.01.01_0_42630	FRONT ELECTRICAL SYSTEM	
E.02.01_0_46767	ENGINE ELECTRIC SYSTEM	
F.01.01_0_51108	HYDR. SYSTEM DOUBLE OIL SUCTION	
F.02.01_0_51232	HYDR. SYSTEM : HEAT EXCHANGER	
F.03.01_1_40560	STEERING HYDR. SYSTEM	
F.04.01_0_46735	PTO /DIFFERENTIAL LOCK HYDR. SYSTEM	
I.01.01_0_40883	HYDR. CONTROL VALVES: AVAILABLE PARTS	
L.01.01_0_40903	RAISE/LOWER LIFT	
L.02.01_0_40937	FREE DISCHARGE CONTROL VALVES VERSION	
L.02.04_0_41097	CONTROL VALVES WITHOUT FREE DISCHARGE VERSION	
M.01.01_0_41199	POSITION AND DRAFT CONTROL LIFT	
M.02.01_0_41268	FREE DISCHARGE CONTROL VALVES VERSION	
M.02.02_0_41339	CONTROL VALVES WITHOUT FREE DISCHARGE VERSION	
T.01.01_0_41550	IMPLEMENTS ATTACHMENT - STANDARD	
T.01.02_0_41578	IMPLEMENTS ATTACHMENT - ADJUSTABLE ARMS WITH QUICK HITCHES	
T.01.03_0_41614	IMPLEMENTS ATTACHMENT - ADJUSTABLE ARMS WITH QUICK HITCHES	
T.03.01_0_41710	PULL HOOK - STANDARD	
T.03.02_0_41719	POOL HOOK "EEC" APPROVED	
T.03.03_0_42459	SLIDER FRAME WITH EEC HOM. TOW HOOK	
W.01.01_0_44125	WHEELS AND TYRES (TABLE 1/2)	
W.01.02_0_45287	WHEELS AND TYRES (TABLE 2/2)	
Y.01.01_0_44535	FRAME "LOCHMANN"	
Y.01.02_0_44621	FRONT GLASS "LOCHMANN"	
Y.01.03_0_44709	REAR GLASS "LOCHMANN"	
Y.01.04_0_45149	SIDE GLASS "LOCHMANN"	
Y.01.05_0_44795	LEFT/RIGHT DOOR "LOCHMANN"	
Y.01.06_0_44875	UNDER-ROOF - HEATING "LOCHMANN"	

Code	Description	Notes
Y.01.07_0_45001	TOP "LOCHMANN"	
Y.01.08_0_45176	CAB SUPPORTS - COVERING	
Y.01.09_0_45063	AIR CONDITIONING "LOCHMANN"	

VM MOTORI

MOTORE 4 CILINDRI - "13 C"
 4 CYLINDERS ENGINE - "13 C"
 MOTEUR 4 CYLINDRES - "13 C"
 4 ZYLINDER MOTOR - "13 C"
 MOTOR 4 CILINDROS - "13 C"



Pos.	Code	Q.ty	Description	Notes
1	41U50000	1	MOT.VM D754E2.21A 47KW 13C/4	
1.1	58171199	1	OIL FILTER CARTRIDGE	
1.2	58171200	1	FUEL FILTER CARTRIDGE	
1.3	59900344	1	ALTERNATOR	
1.4	59900766	1	BELT	
1.5	59900345	1	CENTRAL PROCESSING UNIT	
2	57376726	1	FAN	
3	31112150	3	SCREW TE M8X20 UNI 5739 8G	
4	F0843643060	7	WASHER 8	
5	F0862479035	1	SCREW	
6	59079167	1	RETAINER	
7	31111151	4	SCREW TE M8X16 UNI 5739 8G	
8	56177979	1	SHIELD	
9	31211080	2	NUT M8	
10	31112219	5	SCREW TE M10X25 UNI 5739	
11	F0843755000	6	WASHER 10	
12	59077318	1	SUPPORT	
13	31112082	2	SCREW TE M6X12 UNI 5739 8G	
14	31411064	2	WASHER 6,4x12,5	
15	31112174	1	SCREW TE M8X110 UNI 5737 8.8	
16	59076688	1	ROD	
17	31112153	1	SCREW TE M8X35 UNI 5739 8G	
18	31421083	1	WASHER	
19	F0864335020	1	SCREW M14X120 UNI 5737	
20	31421251	1	WASHER	
21	58175773	1	ELECTRONICAL THERMOMETER	
22	F0844030070	1	COPPER WASHER 16,0x22/1,5	
23	31112090	2	SCREW TE M6X16 UNI 5739 8G	
24	F0843570000	2	WASHER 6	
25	31211060	2	HEXAGONAL NUT M8	
26	55176744	1	PIPE	
27	58177400	1	OIL PIPE	
28	F0817500400	3	CLAMP 024,1-706R	
29	F0817500200	1	CLAMP 015,7-706R	

SERIAL

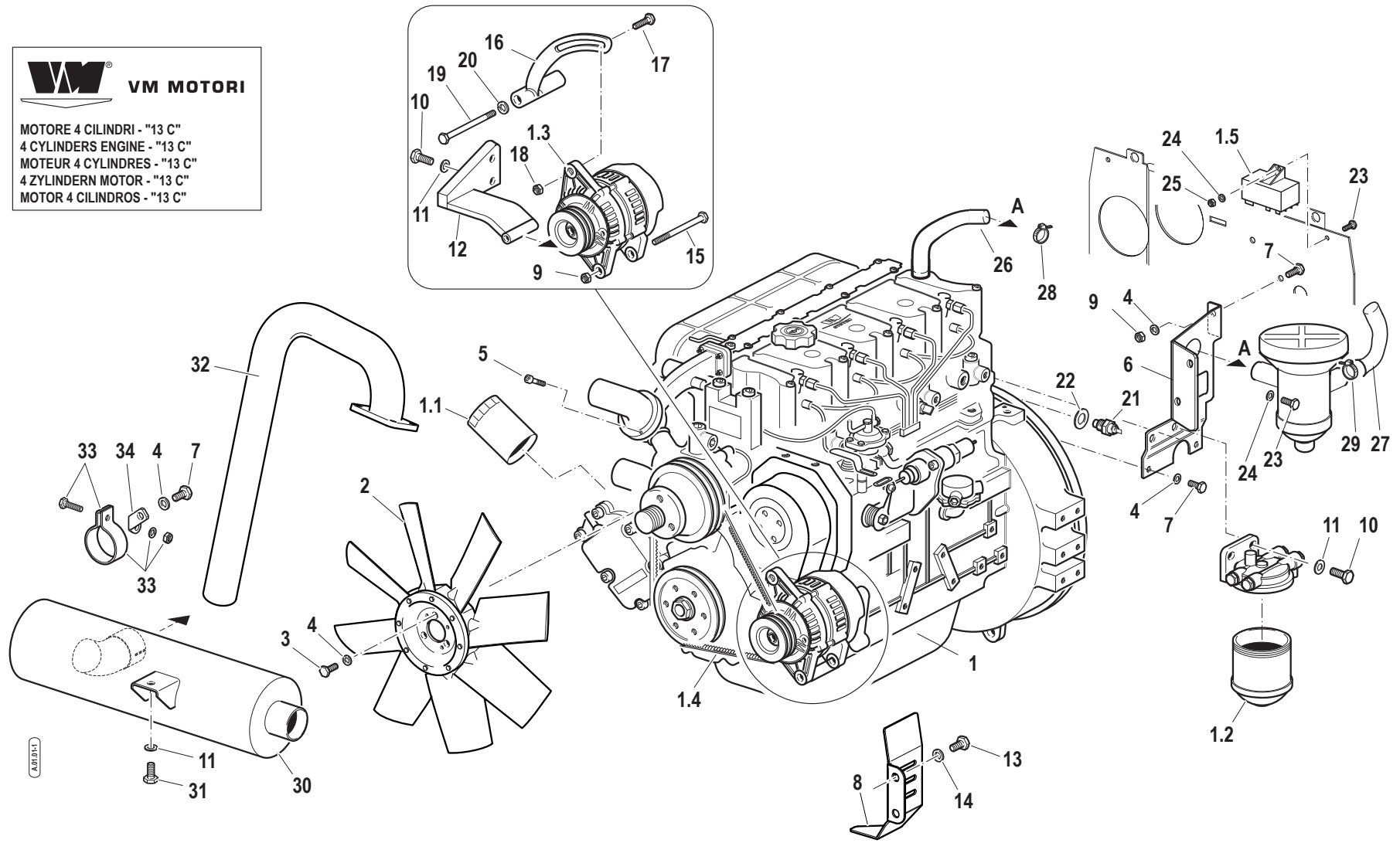
ENGINE
Engine: 75 CV

CODE REV

A.01.01_1_48842

VM MOTORI

MOTORE 4 CILINDRI - "13 C"
 4 CYLINDERS ENGINE - "13 C"
 MOTEUR 4 CYLINDRES - "13 C"
 4 ZYLINDER MOTOR - "13 C"
 MOTOR 4 CILINDROS - "13 C"



Pos.	Code	Q.ty	Description	Notes
30	58176618	1	EXHAUST SILENCER	
31	31112210	1	SCREW TE M10X20 UNI 5739	
32	59076620	1	EXHAUST	
33	58175121	1	COLLAR	
34	56177183	1	REINFORCED STRAP	

SERIAL

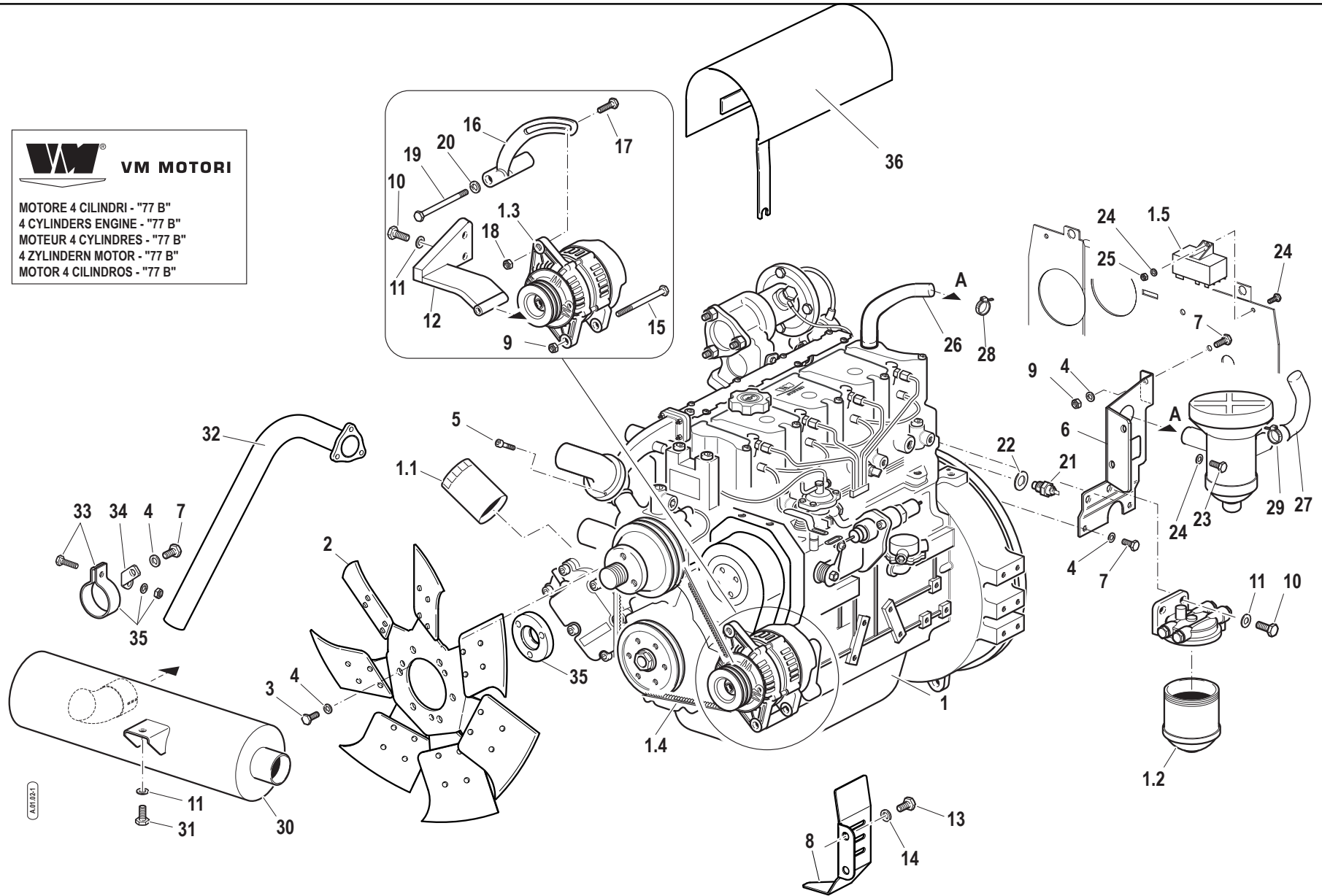
ENGINE
Engine: 75 CV

CODE REV

A.01.01_1_48842

VM MOTORI

MOTORE 4 CILINDRI - "77 B"
 4 CYLINDERS ENGINE - "77 B"
 MOTEUR 4 CYLINDRES - "77 B"
 4 ZYLINDER MOTOR - "77 B"
 MOTOR 4 CILINDROS - "77 B"



Pos.	Code	Q.ty	Description	Notes
1	41U60000	1	MOT.VM D704TE2.21A 60KW 77B/4	
1.1	58171199	1	OIL FILTER CARTRIDGE	
1.2	58171200	1	FUEL FILTER CARTRIDGE	
1.3	59900344	1	ALTERNATOR	
1.4	59900766	1	BELT	
1.5	59900345	1	CENTRAL PROCESSING UNIT	
2	58178646	1	FAN	
3	F0862694000	3	SCREW M8X170 UNI 5737	
4	F0843643060	7	WASHER 8	
5	F0862479035	1	SCREW	
6	59079167	1	RETAINER	
7	31111151	4	SCREW TE M8X16 UNI 5739 8G	
8	56177979	1	SHIELD	
9	31211080	2	NUT M8	
10	31112219	5	SCREW TE M10X25 UNI 5739	
11	F0843755000	6	WASHER 10	
12	59077318	1	SUPPORT	
13	31112082	2	SCREW TE M6X12 UNI 5739 8G	
14	31411064	2	WASHER 6,4x12,5	
15	31112174	1	SCREW TE M8X110 UNI 5737 8.8	
16	59076688	1	ROD	
17	31112153	1	SCREW TE M8X35 UNI 5739 8G	
18	31421083	1	WASHER	
19	F0864335020	1	SCREW M14X120 UNI 5737	
20	31421251	1	WASHER	
21	58175773	1	ELECTRONICAL THERMOMETER	
22	F0844030070	1	COPPER WASHER 16,0x22/1,5	
23	31112090	2	SCREW TE M6X16 UNI 5739 8G	
24	F0843570000	2	WASHER 6	
25	31211060	2	HEXAGONAL NUT M8	
26	55176744	1	PIPE	
27	58177400	1	OIL PIPE	
28	F0817500400	3	CLAMP 024,1-706R	
29	F0817500200	1	CLAMP 015,7-706R	

SERIAL

ENGINE
Engine: 85 CV

CODE REV

A.01.02_1_45599

Pos.	Code	Q.ty	Description	Notes
30	58176618	1	EXHAUST SILENCER	
31	31112210	1	SCREW TE M10X20 UNI 5739	
32	59076619	1	EXHAUST	
33	58175121	1	COLLAR	
34	56177183	1	REINFORCED STRAP	
35	56178649	1	SPACER	
36	59076682	1	GUARD	

SERIAL

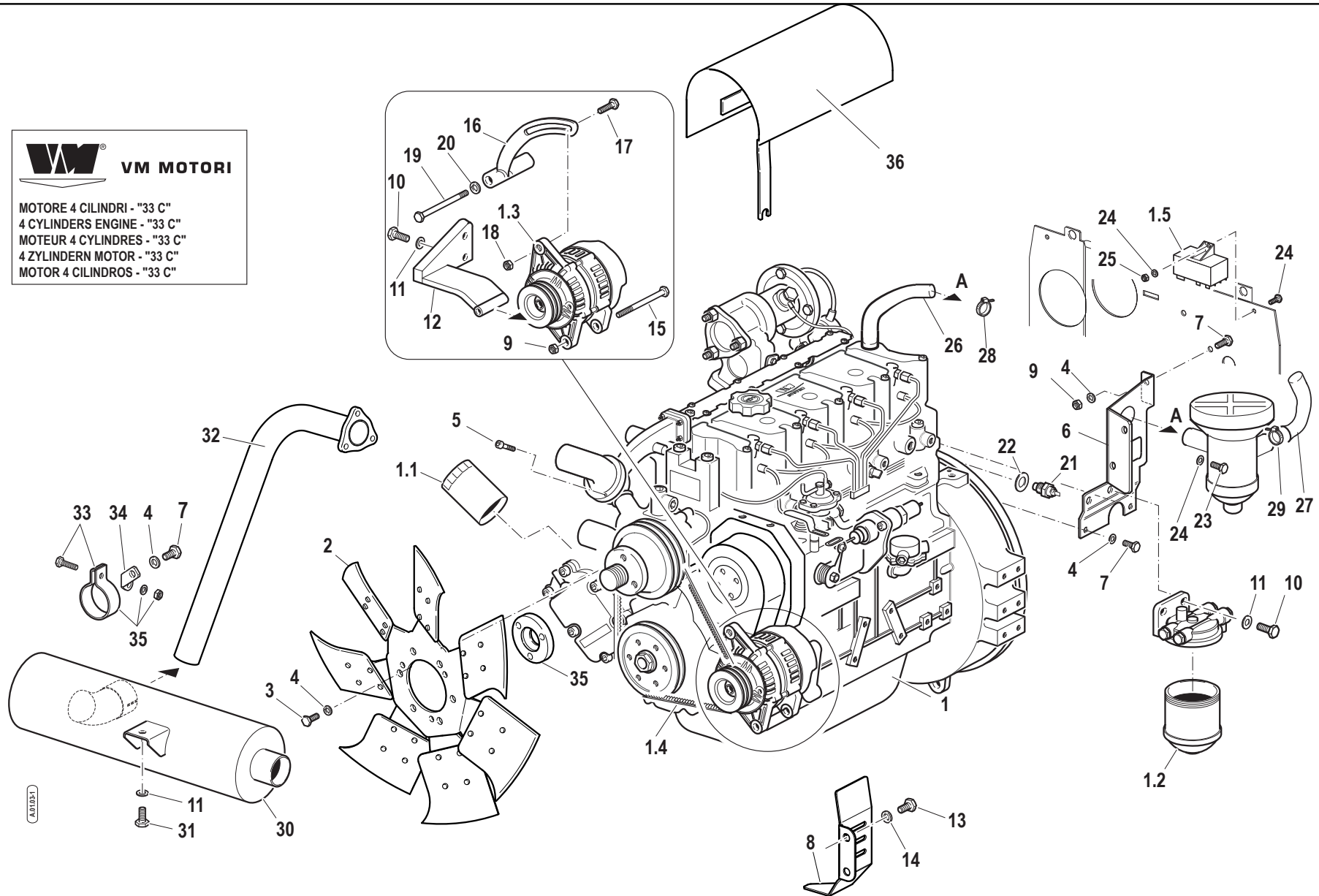
ENGINE
Engine: 85 CV

CODE REV

A.01.02_1_45599

VM MOTORI

MOTORE 4 CILINDRI - "33 C"
 4 CYLINDERS ENGINE - "33 C"
 MOTEUR 4 CYLINDRES - "33 C"
 4 ZYLINDER MOTOR - "33 C"
 MOTOR 4 CILINDROS - "33 C"



Pos.	Code	Q.ty	Description	Notes
1	41U70000	1	MOT.VM D754TE2.21A 67KW 33C/4	
1.1	58171199	1	OIL FILTER CARTRIDGE	
1.2	58171200	1	FUEL FILTER CARTRIDGE	
1.3	59900344	1	ALTERNATOR	
1.4	59900766	1	BELT	
1.5	59900345	1	CENTRAL PROCESSING UNIT	
2	58178646	1	FAN	
3	F0862694000	3	SCREW M8X170 UNI 5737	
4	F0843643060	7	WASHER 8	
5	F0862479035	1	SCREW	
6	59079167	1	RETAINER	
7	31111151	4	SCREW TE M8X16 UNI 5739 8G	
8	56177979	1	SHIELD	
9	31211080	2	NUT M8	
10	31112219	5	SCREW TE M10X25 UNI 5739	
11	F0843755000	6	WASHER 10	
12	59077318	1	SUPPORT	
13	31112082	2	SCREW TE M6X12 UNI 5739 8G	
14	31411064	2	WASHER 6,4x12,5	
15	31112174	1	SCREW TE M8X110 UNI 5737 8.8	
16	59076688	1	ROD	
17	31112153	1	SCREW TE M8X35 UNI 5739 8G	
18	31421083	1	WASHER	
19	F0864335020	1	SCREW M14X120 UNI 5737	
20	31421251	1	WASHER	
21	58175773	1	ELECTRONICAL THERMOMETER	
22	F0844030070	1	COPPER WASHER 16,0x22/1,5	
23	31112090	2	SCREW TE M6X16 UNI 5739 8G	
24	F0843570000	2	WASHER 6	
25	31211060	2	HEXAGONAL NUT M8	
26	55176744	1	PIPE	
27	58177400	1	OIL PIPE	
28	F0817500400	3	CLAMP 024,1-706R	
29	F0817500200	1	CLAMP 015,7-706R	

SERIAL

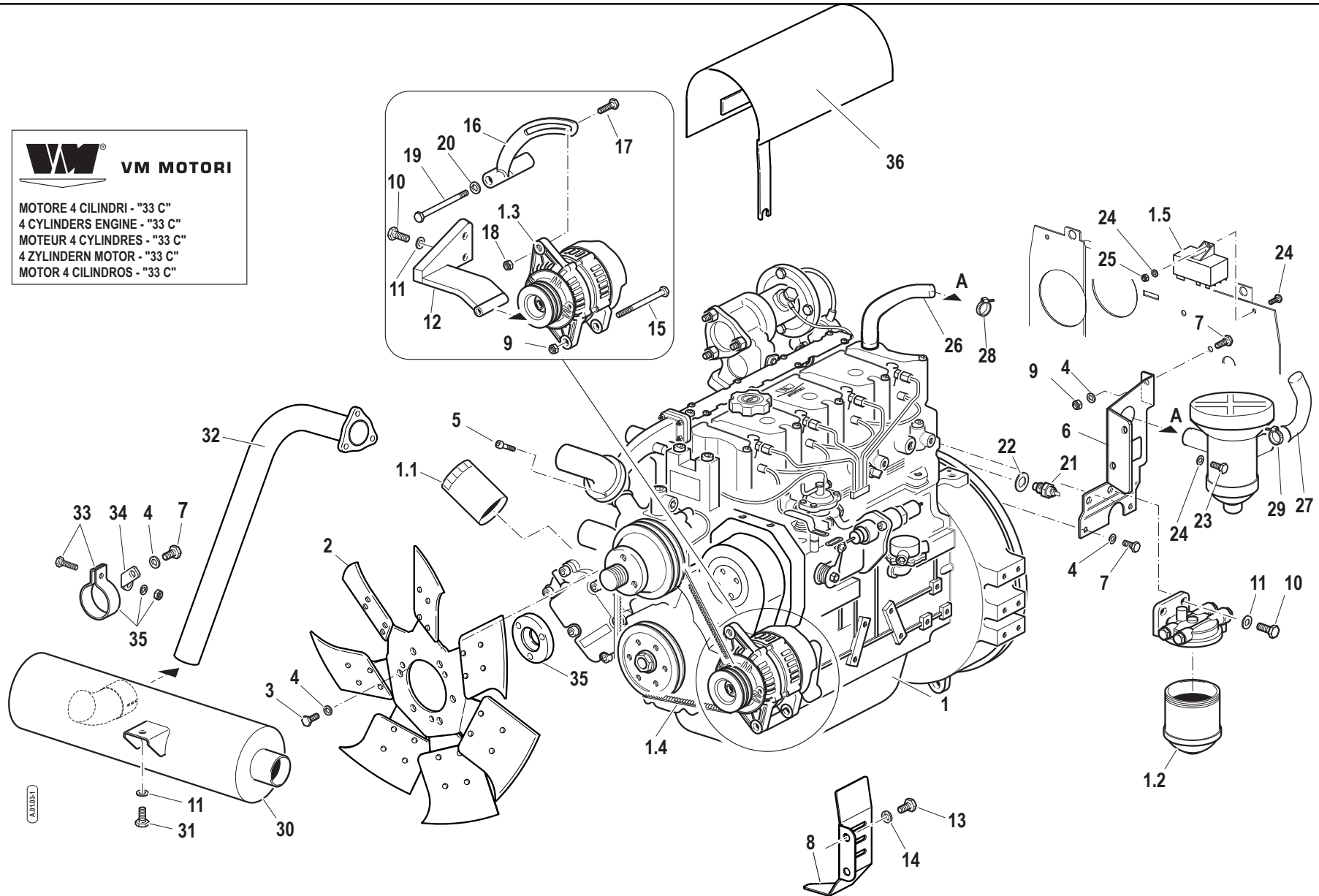
ENGINE
Engine: 95 CV

CODE REV

A.01.03_1_45644

VM MOTORI

MOTORE 4 CILINDRI - "33 C"
 4 CYLINDERS ENGINE - "33 C"
 MOTEUR 4 CYLINDRES - "33 C"
 4 ZYLINDER MOTOR - "33 C"
 MOTOR 4 CILINDROS - "33 C"



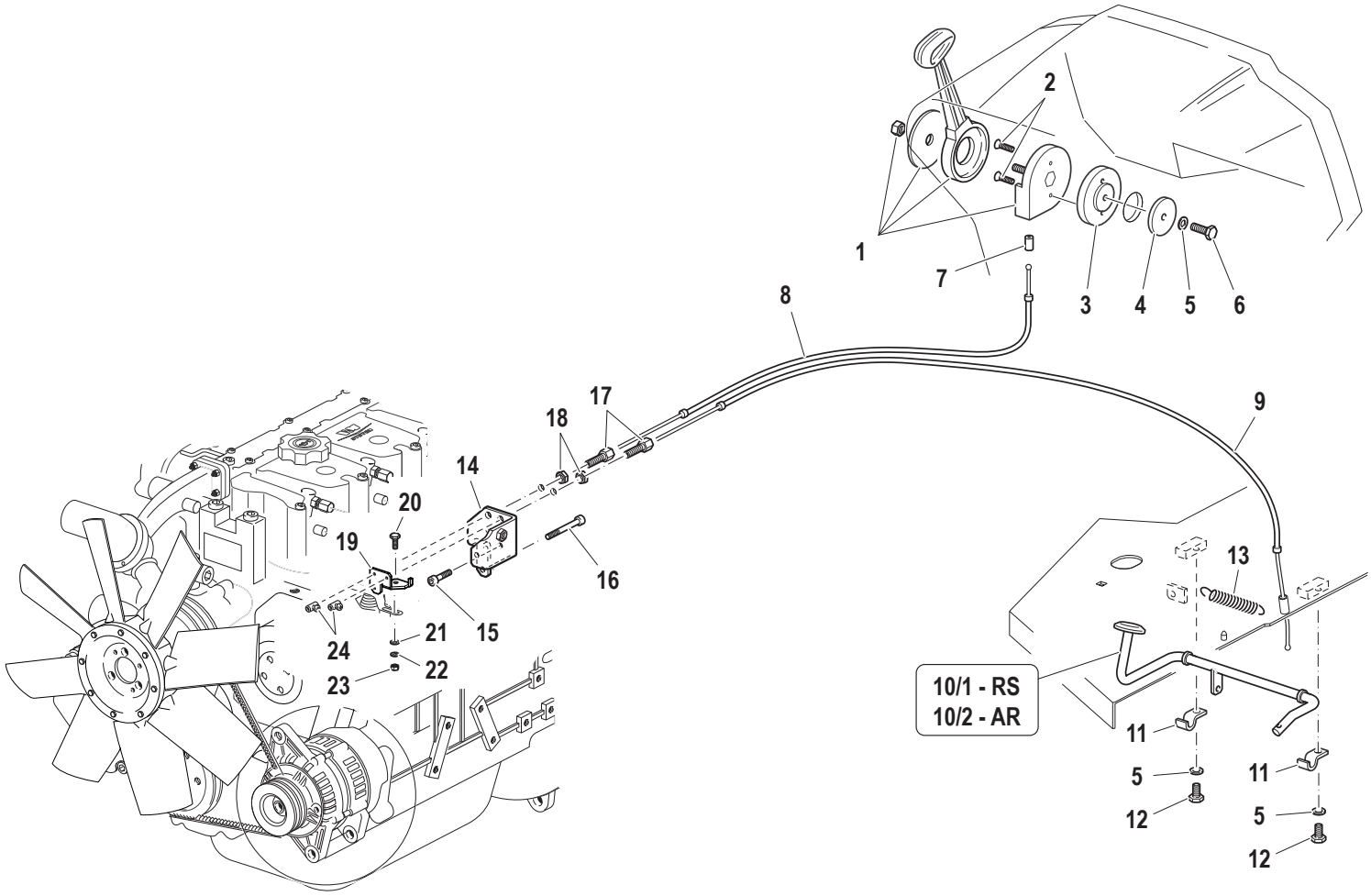
Pos.	Code	Q.ty	Description	Notes
30	58176618	1	EXHAUST SILENCER	
31	31112210	1	SCREW TE M10X20 UNI 5739	
32	59076619	1	EXHAUST	
33	58175121	1	COLLAR	
34	56177183	1	REINFORCED STRAP	
35	56178649	1	SPACER	
36	59076682	1	GUARD	

SERIAL

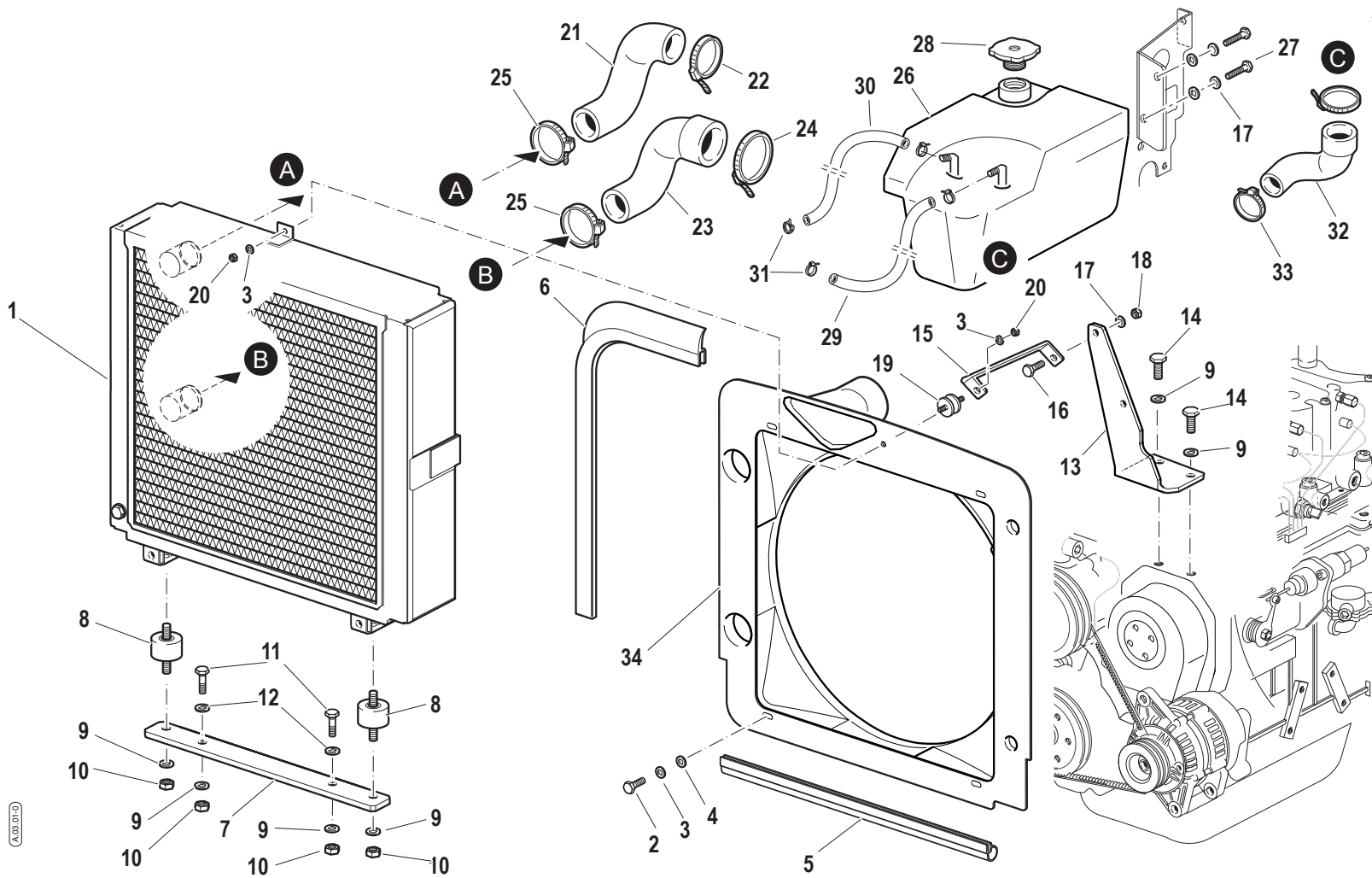
ENGINE
Engine: 95 CV

CODE REV

A.01.03_1_45644



Pos.	Code	Q.ty	Description	Notes
1	F0828029070	1	ACCELERATOR	
2	31132562	2	SCREW TSVEI M6X16 UNI 5933	
3	56171877	1	FLANGE	
4	56171883	1	WASHER	
5	F0843643060	3	WASHER 8	
6	31112150	1	SCREW TE M8X20 UNI 5739 8G	
7	F0858520000	1	SLEEVE	
8	58074825	1	CABLE	
9	58072074	1	CABLE	
10/1	59074346	1	ACCEL. PEDAL	
10/2	59073681	1	ACCEL. PEDAL	
11	56071768	2	PLATE	
12	31112148	2	SCREW TE M8X18 UNI 5739 8G	
13	F0831125000	1	SPRING	
14	56174661	1	BRACKET	
15	31152060	1	SCREW TCEI M6X30 UNI 5931	
16	31152068	1	SCREW TCEI M6X55 UNI 5931	
17	56177656	2	REGISTER	
18	31231080	2	NUT M8	
19	56177655	1	BRACKET	
20	31112051	1	SCREW TE M5X14 UNI 5739 8G	
21	31411053	1	WASHER 5,3x10	
22	F0843561000	1	WASHER 5	
23	31211050	1	NUT M5	
24	58048002	2	CLAMPING SCREW	



Pos.	Code	Q.ty	Description	Notes
1	58178586	1	RADIATOR	
2	31112082	4	SCREW TE M6X12 UNI 5739 8G	
3	F0843570000	6	WASHER 6	
4	31411064	4	WASHER 6,4x12,5	
5	28174882	1	GASKET	
6	F0256809050	1	GASKET	
7	56178805	1	BRACKET	
8	58174608	2	SILENT-BLOCK	
9	F0843755000	5	WASHER 10	
10	F0814632000	4	NUT M10	
11	31112212	2	SCREW TE M10X35 UNI 5739	
12	56178806	2	SPACER	
13	59076684	1	FIXING BRACKET	
14	31152103	1	SCREW TCEI M10X25 UNI 5931	
15	56176691	1	FIXING BRACKET	
16	31112151	1	SCREW TE M8X25 UNI 5739 8G	
17	F0843643060	3	WASHER 8	
18	31211080	1	NUT M8	
19	F0849206005	1	SILENT-BLOCK	
20	F0814545000	2	NUT M6	
21	55174632	1	SLEEVE	
22	F0817500500	1	CLAMP 048,5-706R	
23	55177639	1	SLEEVE	
24	F0817500700	1	CLAMP 057,5-706R	
25	F0817500470	2	CLAMP	
26	P236340000000	1	CUP	
27	31111151	2	SCREW TE M8X16 UNI 5739 8G	
28	P236220000000	1	PLUG	
29	58078677	1	VENT HOSE	
30	58075873	1	VENT HOSE	
31	F0817500200	4	CLAMP 015,7-706R	
32	58077132	1	PIPE	
33	F0817500400	2	CLAMP 024,1-706R	
34	58178638	1	DUCT	

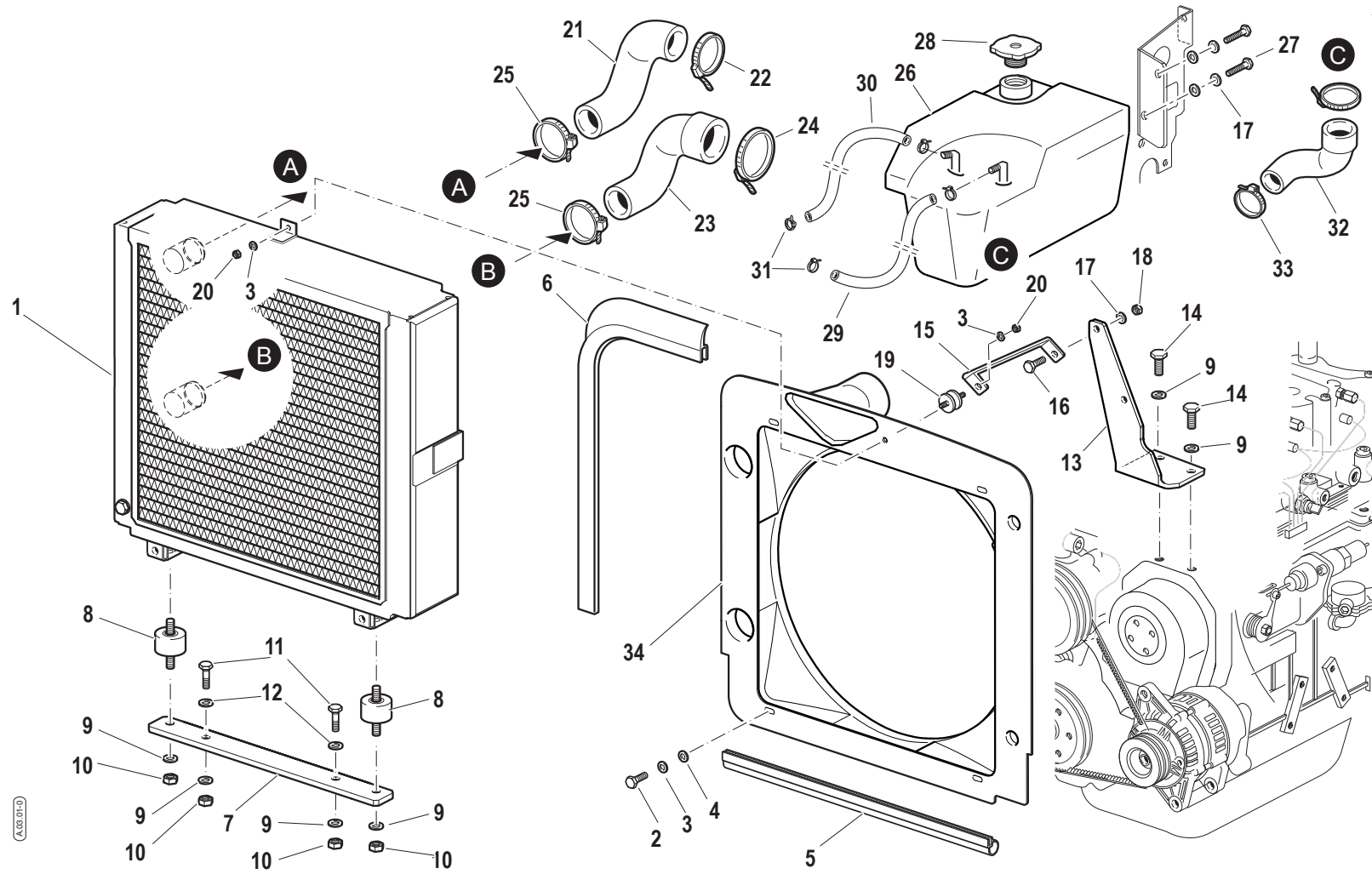
SERIAL

COOLER
Engine: 75 CV

CODE REV

A.03.01_0_45689

COOLER



Pos.	Code	Q.ty	Description	Notes
35	31111091	4	SCREW E M6X14 UNI 5739 8G	
36	31211060	2	HEXAGONAL NUT M8	
37	31411066	6	WASHER 6,6x18	

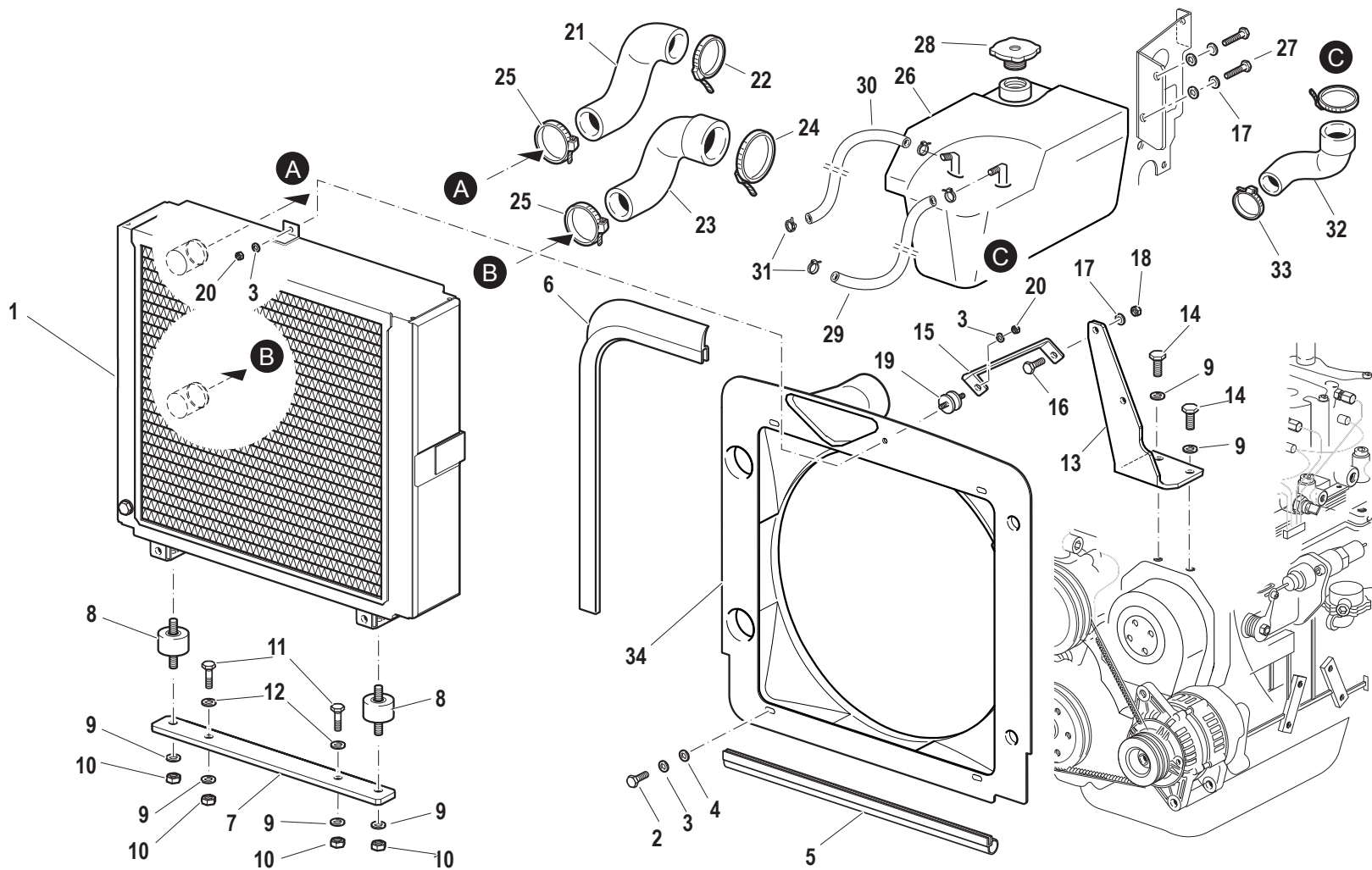
SERIAL

COOLER
Engine: 75 CV

CODE REV

A.03.01_0_45689

COOLER



A.03.02.0

Pos.	Code	Q.ty	Description	Notes
1	58178585	1	RADIATOR	
2	31112082	4	SCREW TE M6X12 UNI 5739 8G	
3	F0843570000	6	WASHER 6	
4	31411064	4	WASHER 6,4x12,5	
5	28174882	1	GASKET	
6	F0256809050	1	GASKET	
7	56178805	1	BRACKET	
8	58174608	2	SILENT-BLOCK	
9	F0843755000	5	WASHER 10	
10	F0814632000	4	NUT M10	
11	31112212	2	SCREW TE M10X35 UNI 5739	
12	56178806	2	SPACER	
13	59076684	1	FIXING BRACKET	
14	31152103	1	SCREW TCEI M10X25 UNI 5931	
15	56176691	1	FIXING BRACKET	
16	31112151	1	SCREW TE M8X25 UNI 5739 8G	
17	F0843643060	3	WASHER 8	
18	31211080	1	NUT M8	
19	F0849206005	1	SILENT-BLOCK	
20	F0814545000	2	NUT M6	
21	55174632	1	SLEEVE	
22	F0817500500	1	CLAMP 048,5-706R	
23	55177639	1	SLEEVE	
24	F0817500700	1	CLAMP 057,5-706R	
25	F0817500470	2	CLAMP	
26	P236340000000	1	CUP	
27	31111151	2	SCREW TE M8X16 UNI 5739 8G	
28	P236220000000	1	PLUG	
29	58078677	1	VENT HOSE	
30	58075873	1	VENT HOSE	
31	F0817500200	4	CLAMP 015,7-706R	
32	58077132	1	PIPE	
33	F0817500400	2	CLAMP 024,1-706R	
34	58178638	1	DUCT	

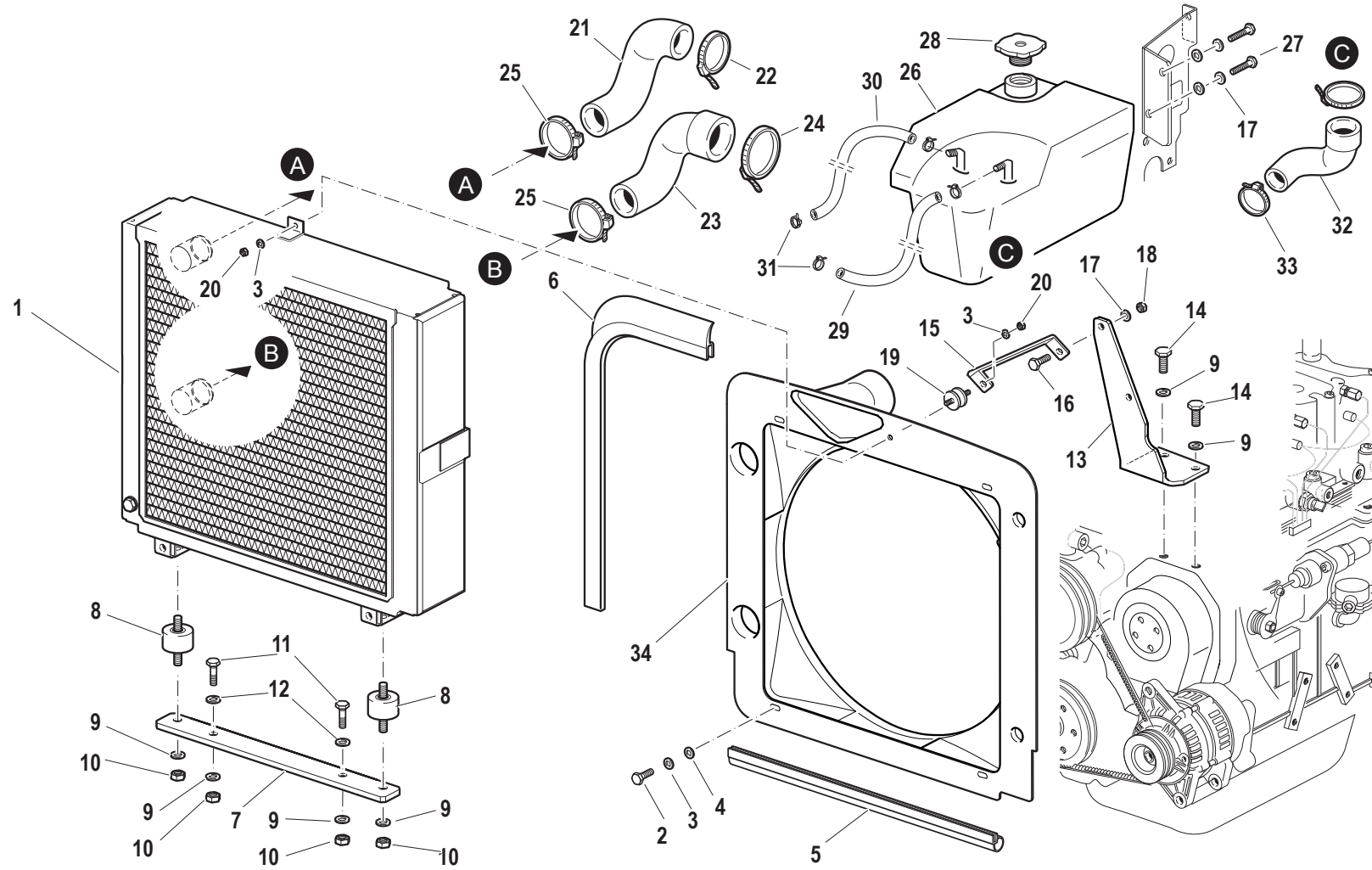
SERIAL

COOLER
Engine: 85 CV, 95 CV

CODE REV

A.03.02_0_45727

COOLER



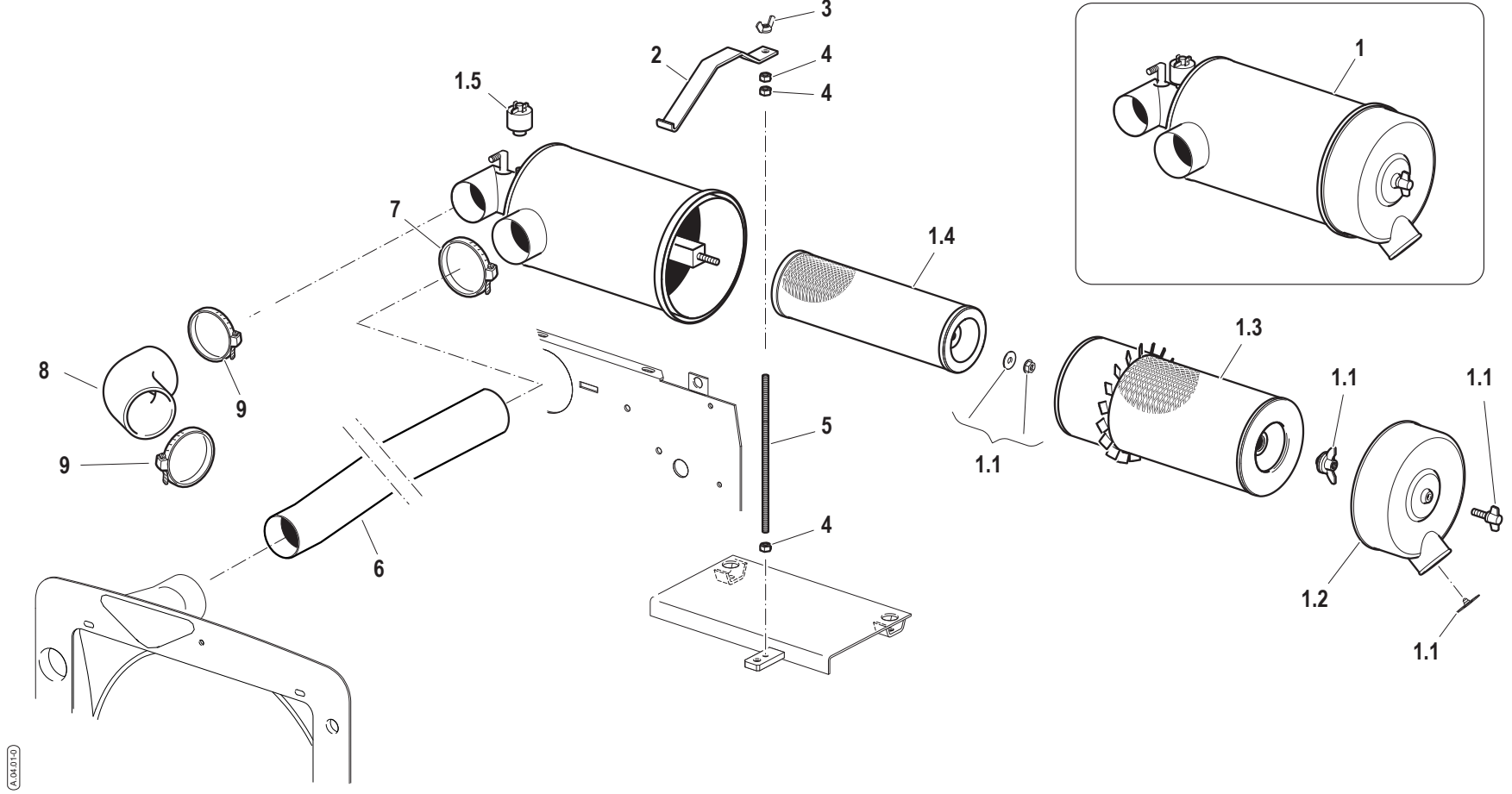
A.03.02.0

Pos.	Code	Q.ty	Description	Notes
35	31111091	4	SCREW E M6X14 UNI 5739 8G	
36	31211060	2	HEXAGONAL NUT M8	
37	31411066	6	WASHER 6,6x18	

SERIAL

COOLER
Engine: 85 CV, 95 CV

CODE REV
A.03.02_0_45727



100000000

Pos.	Code	Q.ty	Description	Notes
1	58176755	1	AIR FILTER	
1.1	59900353	1	KIT	
1.2	59900347	1	COVER	
1.3	58171028	1	CARTOUCHE	
1.4	58171027	1	CARTOUCHE	
1.5	58175122	1	DIGITAL INSTRUMENT	
2	56174636	1	FIXING BRACKET	
3	31200501	1	NUT M8	
4	31211080	3	NUT M8	
5	56174635	1	ROD	
6	58076753	1	SUCTION PIPE	
7	F0817501200	1	CLAMP 077,0-706R	
8	58076751	1	SLEEVE	
9	F0817501000	2	CLAMP 072,5-706R	

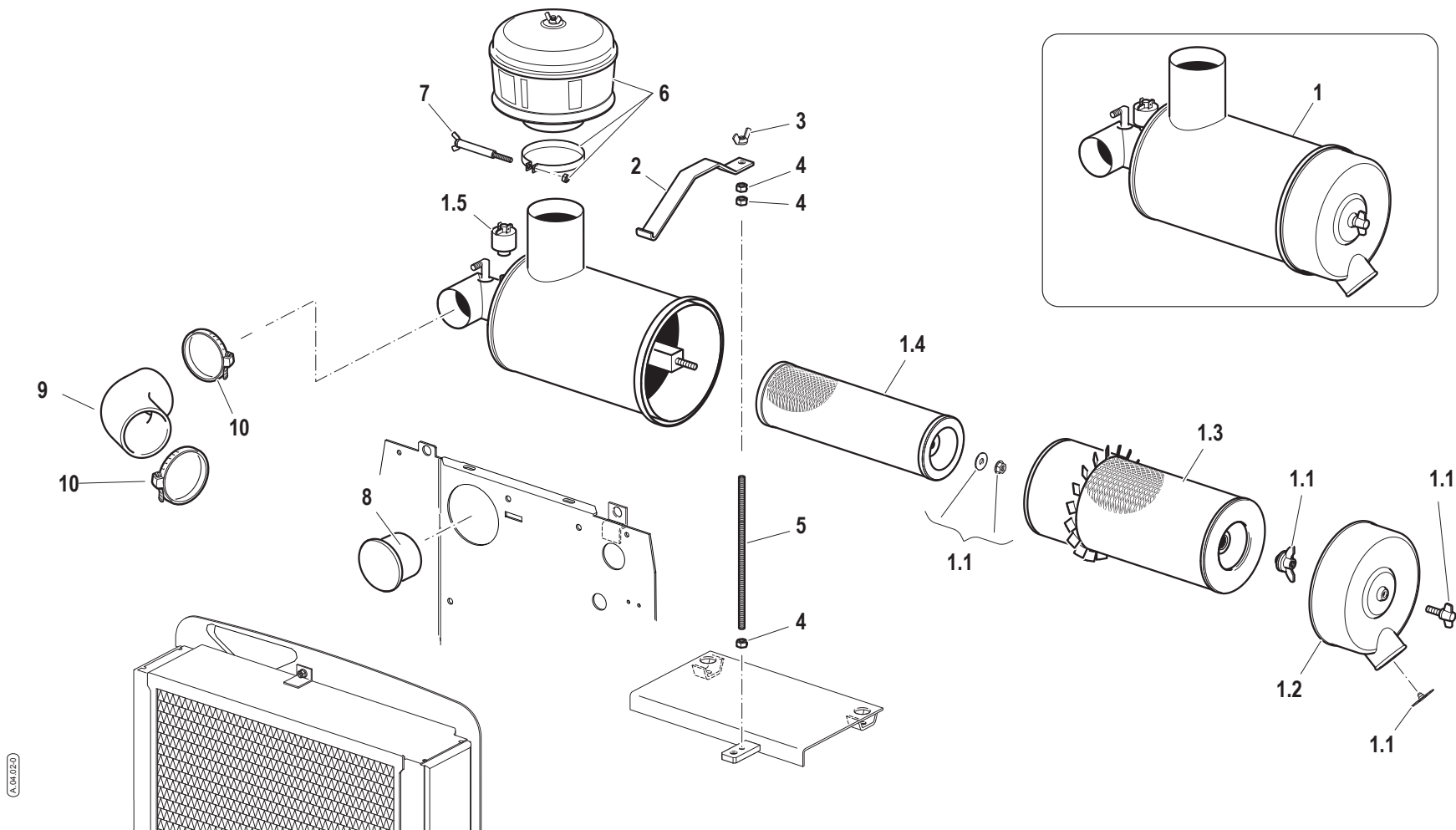
SERIAL

AIR FILTER
Engine: 75 CV

CODE REV

A.04.01_0_45765

AIR FILTER WITH EXTERNAL AIR INTAKE



A.04.02.0

Pos.	Code	Q.ty	Description	Notes
1	58176898	1	AIR FILTER	
1.1	59900353	1	KIT	
1.2	59900347	1	COVER	
1.3	58171028	1	CARTOUCHE	
1.4	58171027	1	CARTOUCHE	
1.5	58175122	1	DIGITAL INSTRUMENT	
2	56174636	1	FIXING BRACKET	
3	31200501	1	NUT M8	
4	31211080	3	NUT M8	
5	56174635	1	ROD	
6	58171069	1	PRECLEANER	
7	59073184	1	SCREW	
8	57377317	1	PLUG	
9	58076751	1	SLEEVE	
10	F0817501000	2	CLAMP 072,5-706R	

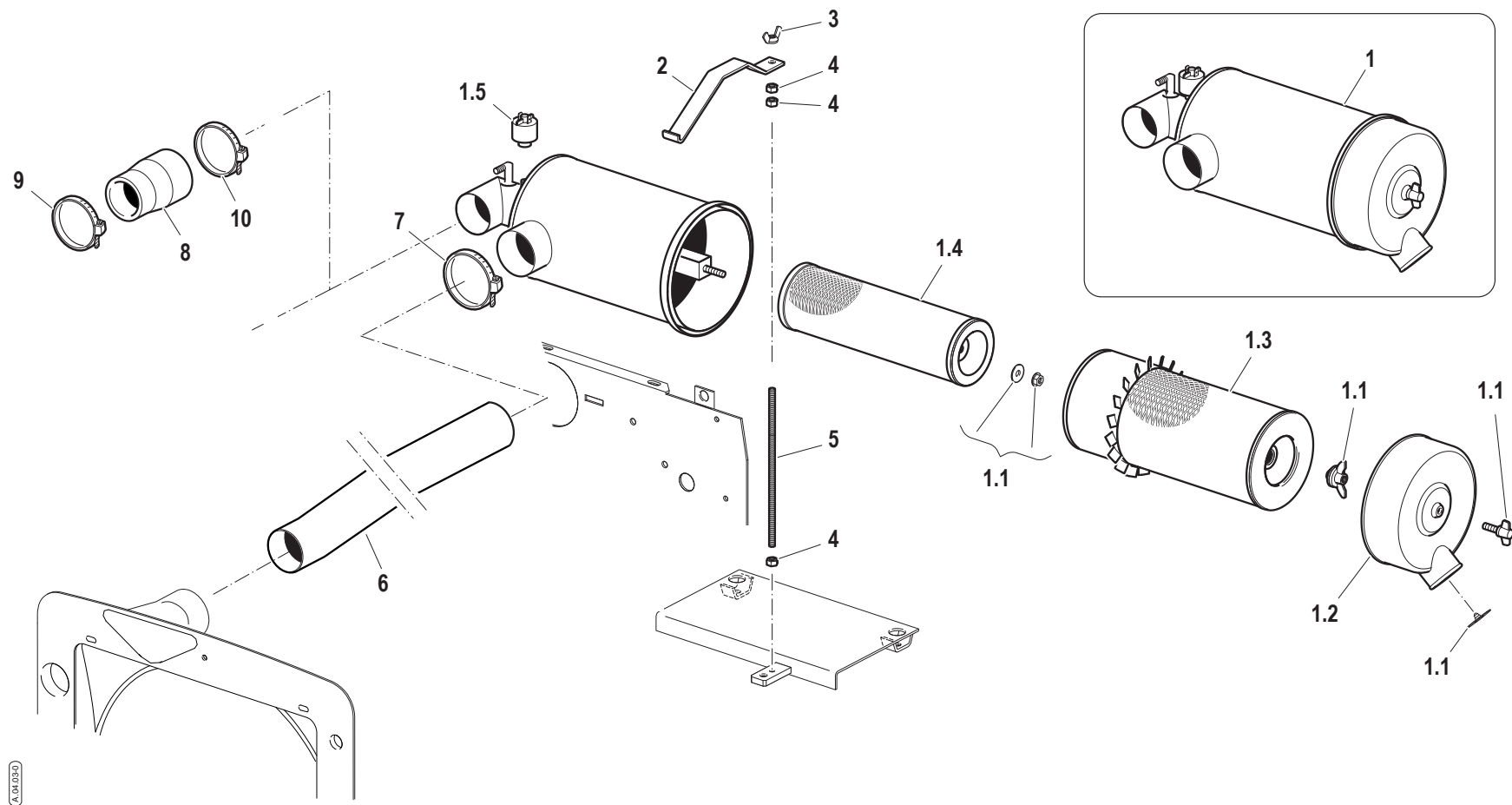
SERIAL

AIR FILTER WITH EXTERNAL AIR INTAKE

Engine: 75 CV

CODE REV

A.04.02_0_45780



Pos.	Code	Q.ty	Description	Notes
1	58176755	1	AIR FILTER	
1.1	59900353	1	KIT	
1.2	59900347	1	COVER	
1.3	58171028	1	CARTOUCHE	
1.4	58171027	1	CARTOUCHE	
1.5	58175122	1	DIGITAL INSTRUMENT	
2	56174636	1	FIXING BRACKET	
3	31200501	1	NUT M8	
4	31211080	3	NUT M8	
5	56174635	1	ROD	
6	58076753	1	SUCTION PIPE	
7	F0817501200	1	CLAMP 077,0-706R	
8	58076750	1	SLEEVE	
9	F0817500800	1	CLAMP 062,0-706R	
10	F0817500900	1	CLAMP 069,5-706R	

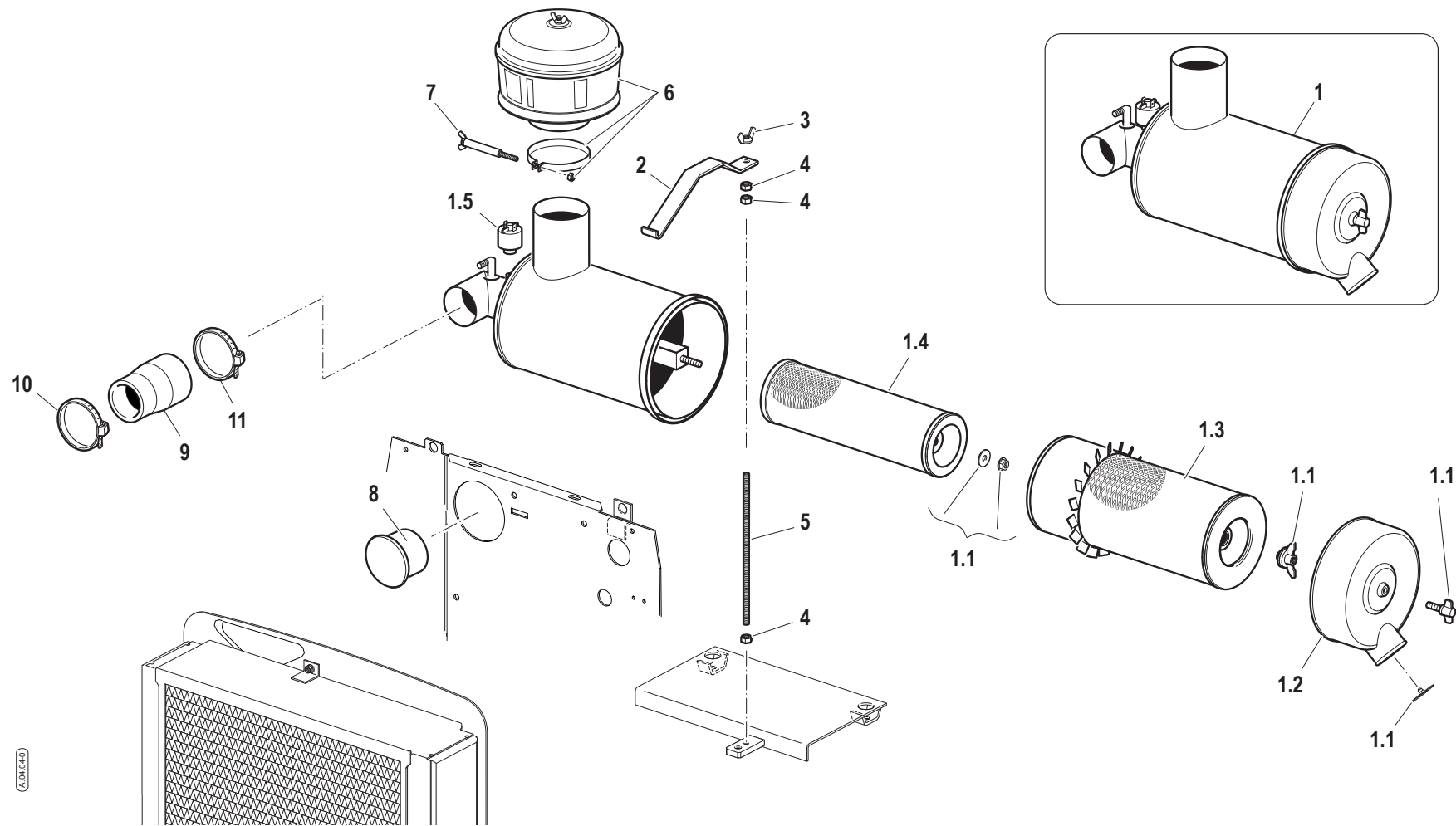
SERIAL

AIR FILTER
 Engine: 85 CV, 95 CV

CODE REV

A.04.03_0_45796

AIR FILTER WITH EXTERNAL AIR INTAKE



Pos.	Code	Q.ty	Description	Notes
1	58176898	1	AIR FILTER	
1.1	59900353	1	KIT	
1.2	59900347	1	COVER	
1.3	58171028	1	CARTOUCHE	
1.4	58171027	1	CARTOUCHE	
1.5	58175122	1	DIGITAL INSTRUMENT	
2	56174636	1	FIXING BRACKET	
3	31200501	1	NUT M8	
4	31211080	3	NUT M8	
5	56174635	1	ROD	
6	58171069	1	PRECLEANER	
7	59073184	1	SCREW	
8	57377317	1	PLUG	
9	58076750	1	SLEEVE	
10	F0817500800	1	CLAMP 062,0-706R	
11	F0817500900	1	CLAMP 069,5-706R	

SERIAL

AIR FILTER WITH EXTERNAL AIR INTAKE

Engine: 85 CV, 95 CV

CODE REV

A.04.04_0_45812

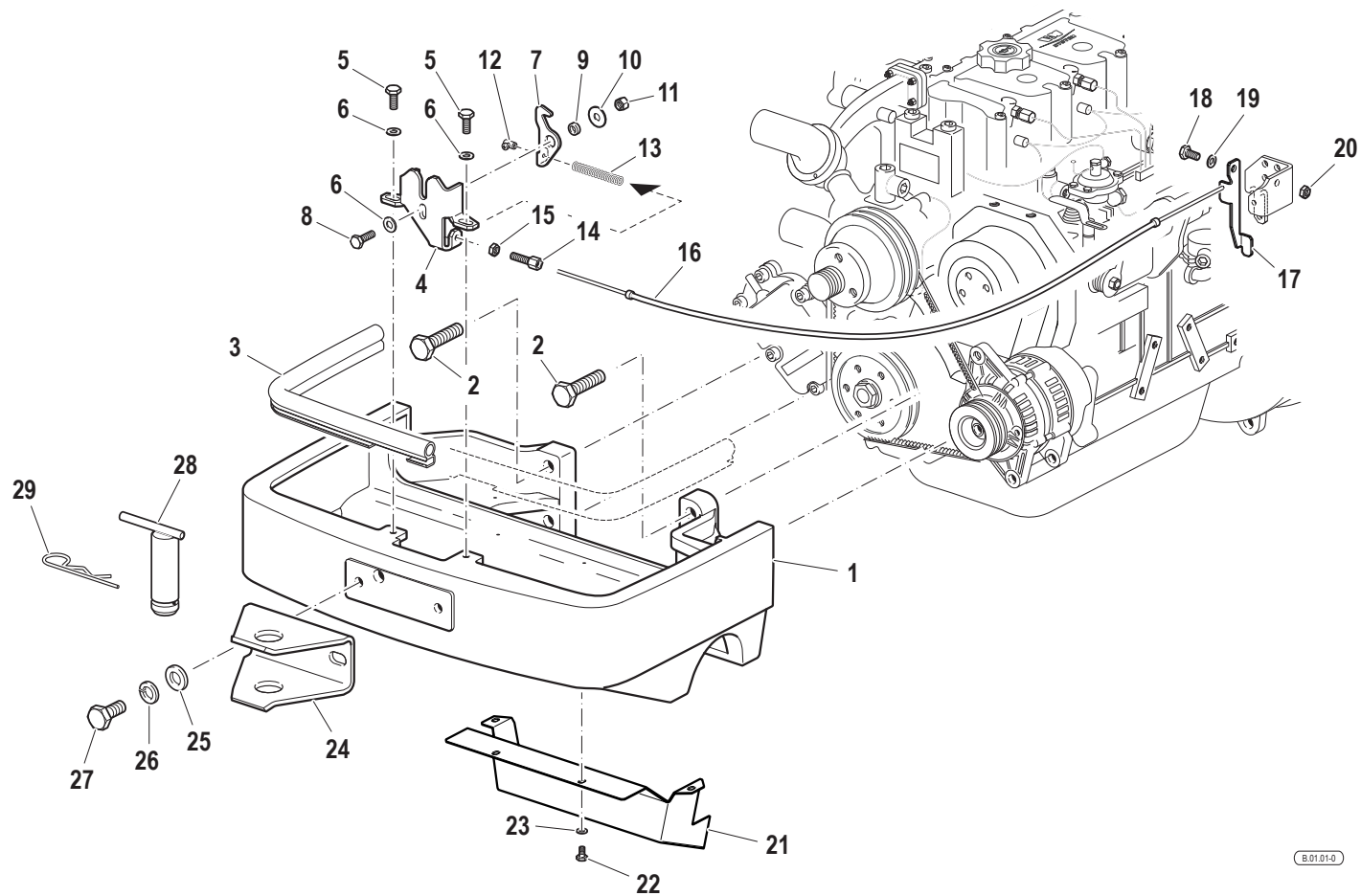
Pos.	Code	Q.ty	Description	Notes
1	55276745	1	TANK	
1.1	F0849500001	1	TANK COVER	
1.2	F0849500002	1	FILTER	
1.3	57174915	1	PIPE FITTING	
2	57371900	1	LINING	
3	58170238	1	CONTROL	
4	F0861867050	6	SCREW M4,2X19 DIN 7981	
5	56174635	1	ROD	
6	56077608	2	ROD	
7	56176716	1	SPACER	
8	56176696	2	SPACER D.14x9/155,5	
9	56176814	3	SPACER D.55x8/4	
10	31211080	6	NUT M8	
11	58076752	3	STOPPER	
12	59076685	1	BATTERY SUPPORT	
13	59077933	1	SUPPORT	
14	31111218	2	SCREW TE M10X140 UNI 5737 8G	
15	F0843755000	2	WASHER 10	
16	59076870	1	COVER	
17	59077935	1	FIXING BRACKET	
18	F0862481000	2	SCREW M8x16 UNI 5933	
19	58070690	1	PIPE	
20	F0817500200	4	CLAMP 015,7-706R	
21	58074895	1	PIPE	
22	58171901	1	CABLE GLAND 15,5-24-32-2	
23	59076679	1	DIVISION	
24	F0862464050	2	SCREW UNI 5931	
25	F0825414000	2	CABLE GLAND 7-15-18,5-2,5	
26	59076686	1	BRACKET	
27	31112096	2	SCREW TE M6X85 UNI 5737 8G	
28	F0843570000	2	WASHER 6	
29	31111151	1	SCREW TE M8X16 UNI 5739 8G	
30	F0843643060	1	WASHER 8	
31	F0256808000	1	FLAT BAND	

SERIAL

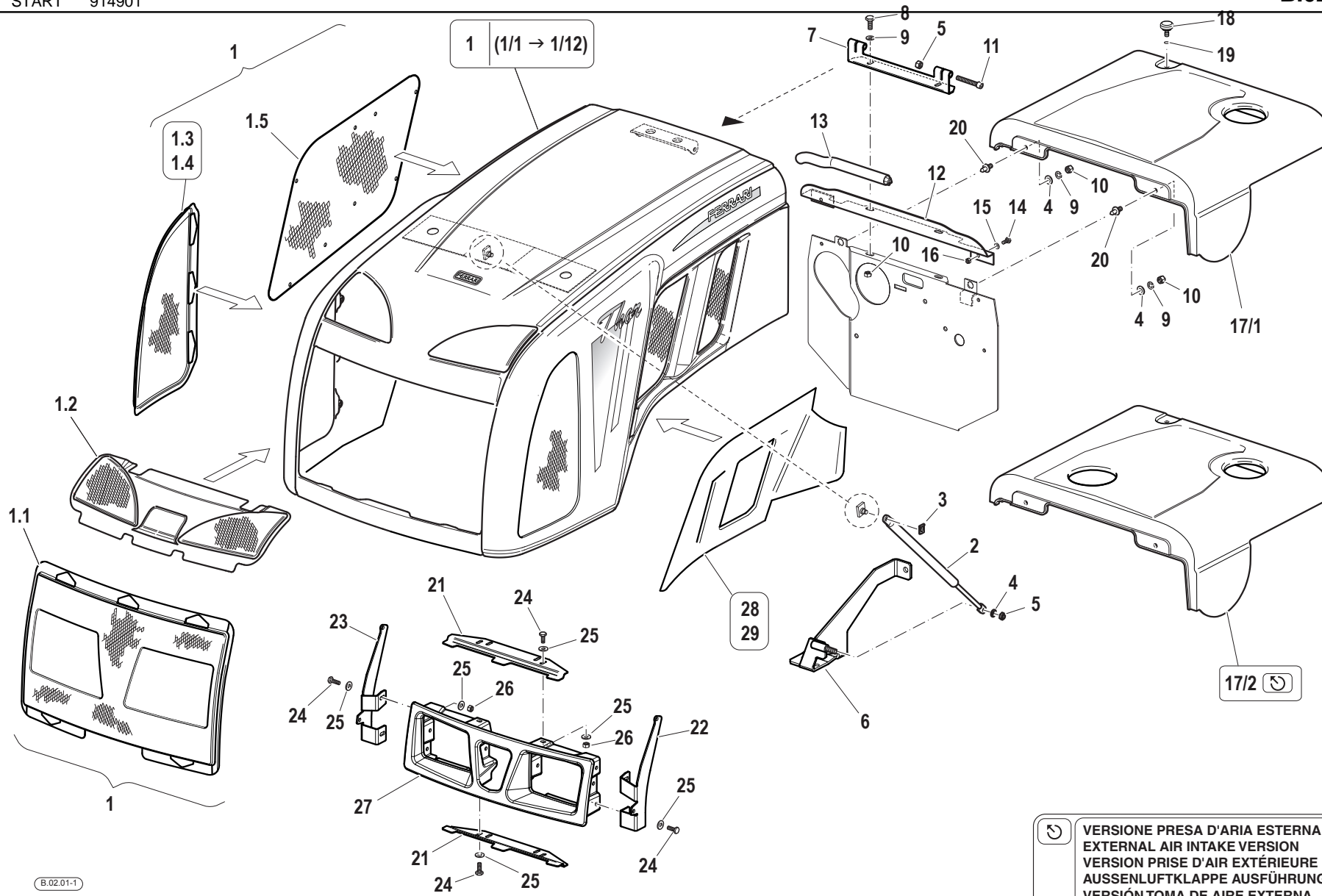
FUEL TANK

CODE REV


A.05.01_0_45829

FRONT SUPPORT

Pos.	Code	Q.ty	Description	Notes
1	51176714	1	FRONT SUPPORT	
2	31111331	4	SCREW TE M14X50 UNI5739 8G	
3	58177274	1	HOOD SEAL	
4	56174657	1	FIXING BRACKET	
5	31112150	2	SCREW TE M8X20 UNI 5739 8G	
6	31411084	3	WASHER 8,4x17	
7	56174658	1	HOOD HOOK	
8	31112151	1	SCREW TE M8X25 UNI 5739 8G	
9	56174659	1	SPACER	
10	31411090	1	WASHER 9x24	
11	31241080	1	HEXAGON SELFLOCK NUT M8	
12	58048002	1	CLAMPING SCREW	
13	F0831065000	1	SPRING	
14	56177656	1	REGISTER	
15	31231080	1	NUT M8	
16	58074831	1	CABLE	
17	56177643	1	LEVER	
18	31111151	1	SCREW TE M8X16 UNI 5739 8G	
19	F0843643060	1	WASHER 8	
20	F0814569000	1	NUT	
21	59076756	1	SHIELD	
22	31112082	12	SCREW TE M6X12 UNI 5739 8G	
23	F0843570000	12	WASHER 6	
24	56174873	1	TOW HOOK	
25	31112328	2	SCREW TE M14X35 UNI 5739	
26	F0843921030	2	WASHER 14	
27	31411150	2	WASHER 15x28	
28	59075283	1	PIN	
29	F0851497000	1	SPLIT PIN	



B.02.01-1


VERSIONE PRESA D'ARIA ESTERNA
EXTERNAL AIR INTAKE VERSION
VERSION PRISE D'AIR EXTÉRIEURE
AUSSENLUFTKLAPPE AUSFÜHRUNG
VERSIÓN TOMA DE AIRE EXTERNA

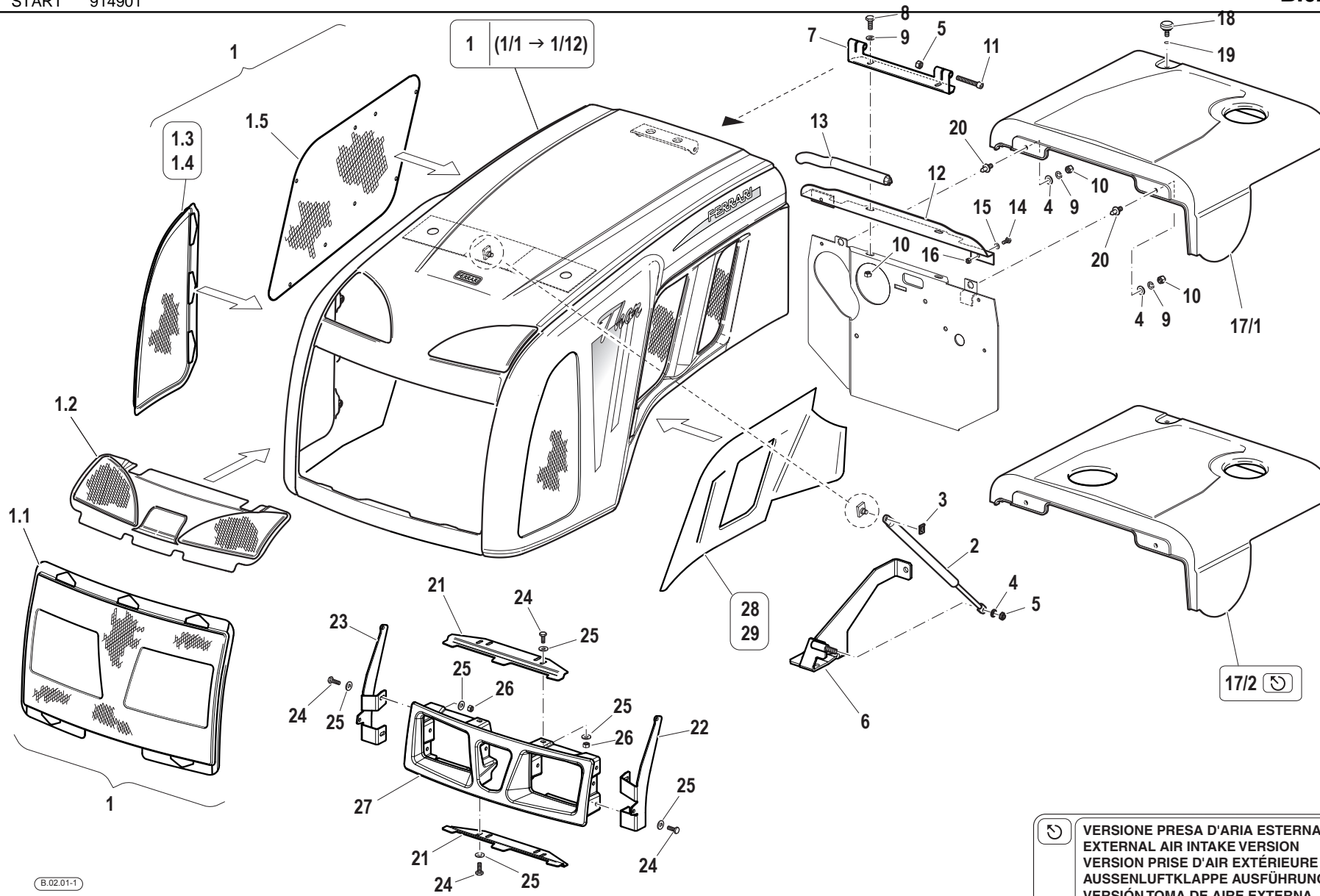
Pos.	Code	Q.ty	Description	Notes
1.1	56079442	1	FRONT GRILL	
1/1	59900975	1	COMPLETE HOOD	
1/10	59900985	1	COMPLETE HOOD	
1/11	59900980	1	COMPLETE HOOD	
1/12	59900986	1	COMPLETE HOOD	
1/2	59900981	1	COMPLETE HOOD	
1.2	56076933	1	FRONT GRILL	
1.3	56076928	1	FRONT GRILL	
1/3	59900976	1	COMPLETE HOOD	
1/4	59900982	1	COMPLETE HOOD	
1.4	56076929	1	FRONT GRILL	
1.5	56076930	1	GRILLE	
1/5	59900977	1	COMPLETE HOOD	
1/6	59900983	1	COMPLETE HOOD	
1/7	59900978	1	COMPLETE HOOD	
1/8	59900984	1	COMPLETE HOOD	
1/9	59900979	1	COMPLETE HOOD	
2	58092972	1	SPRING	
3	58170436	1	CLIP	
4	31411084	6	WASHER 8,4x17	
5	F0814585000	3	SELFLOCK NUT	
6	59076686	1	BRACKET	
7	56179549	1	PROTECTIVE YOKE	
8	31112150	2	SCREW TE M8X20 UNI 5739 8G	
9	F0843643060	6	WASHER 8	
10	31211080	6	NUT M8	
11	31152088	2	SCREW TCEI M8X55 UNI 5931	
12	56174656	1	HOLDING	
13	P000000260007	1	GASKET	
14	31111091	2	SCREW E M6X14 UNI 5739 8G	
15	F0843570000	2	WASHER 6	
16	31211060	2	HEXAGONAL NUT M8	
17/1	57376670	1	COVER	
17/2	57376899	1	COVER	

SERIAL
START
914901


BONNET

CODE REV

B.02.01_1_47161

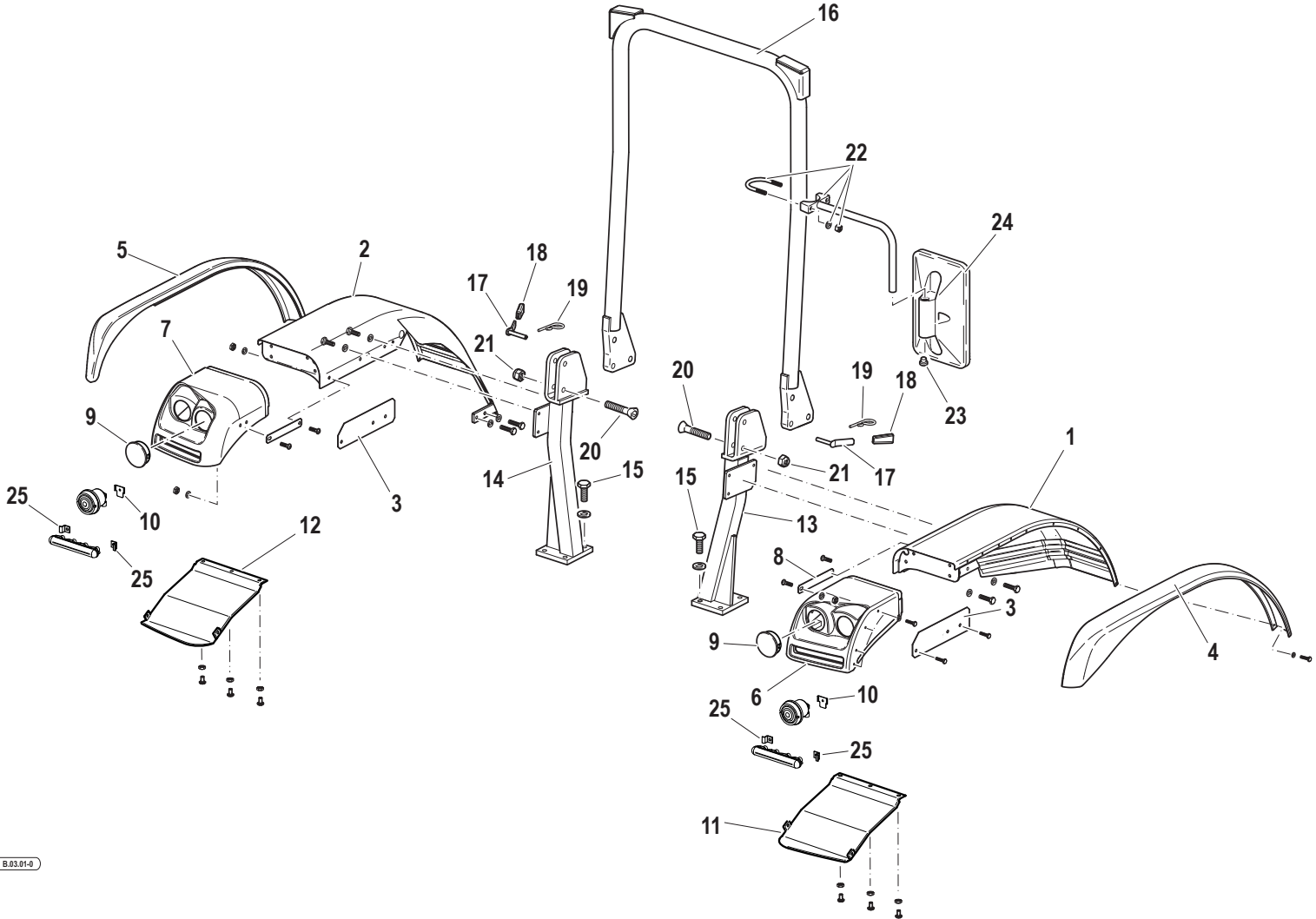


B.02.01-1

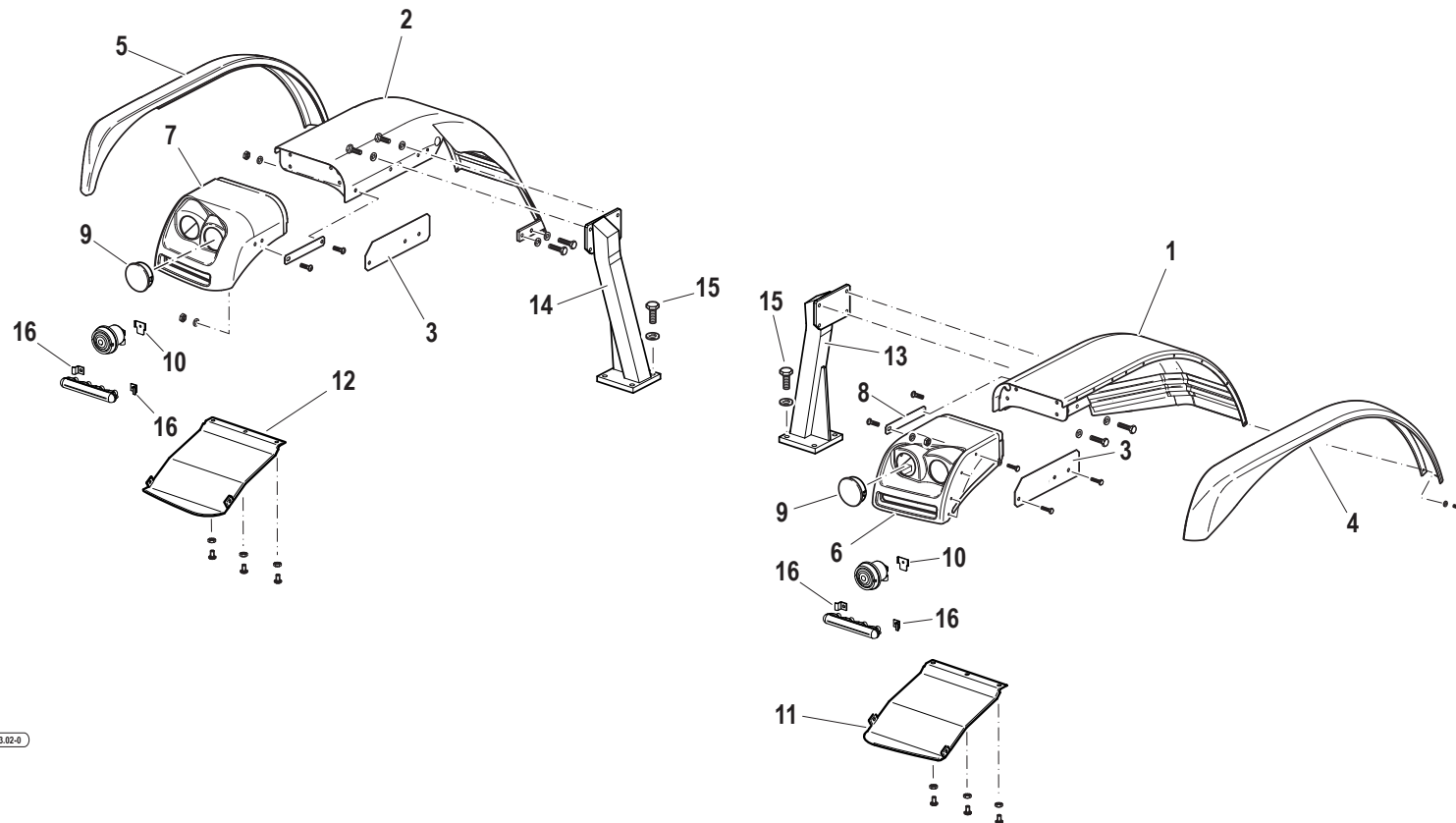

VERSIONE PRESA D'ARIA ESTERNA
EXTERNAL AIR INTAKE VERSION
VERSION PRISE D'AIR EXTÉRIEURE
AUSSENLUFTKLAPPE AUSFÜHRUNG
VERSIÓN TOMA DE AIRE EXTERNA

Pos.	Code	Q.ty	Description	Notes
18	56174835	1	KNOB	
19	35211060	1	SEEGER RING	
20	59074662	6	PIN	
21	56179447	2	SUPPORTING YOKE	
22	56179443	1	FIXING BRACKET	
23	56179444	1	BRACKET	
24	31112093	8	SCREW TE M6X20	
25	31411066	16	WASHER 6,6x18	
26	F0814547000	8	SELFLOCK NUT M6	
27	57379438	1	FRONT GRILLE	
28	58076984V	1	FIANCHETTO DX VERDE 75-95 **	
29	58076987V	1	FIANCHETTO SX VERDE 75-95 **	

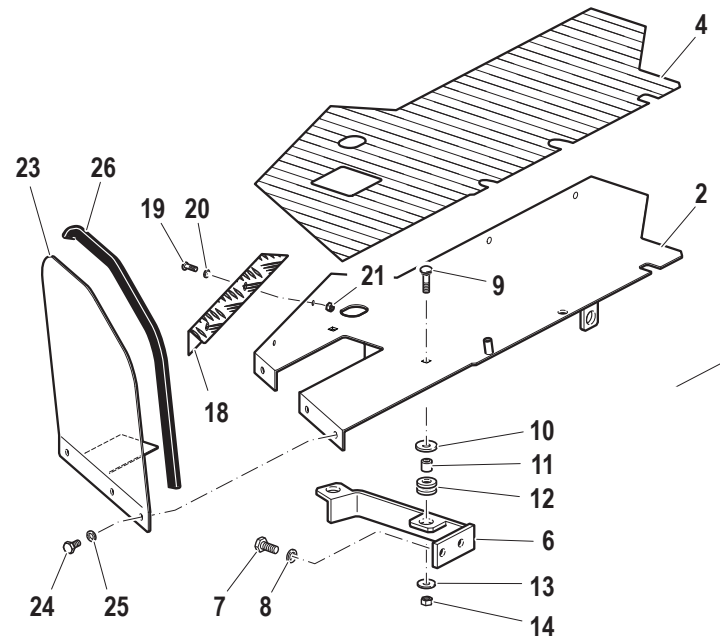
FRONT MUDGUARDS



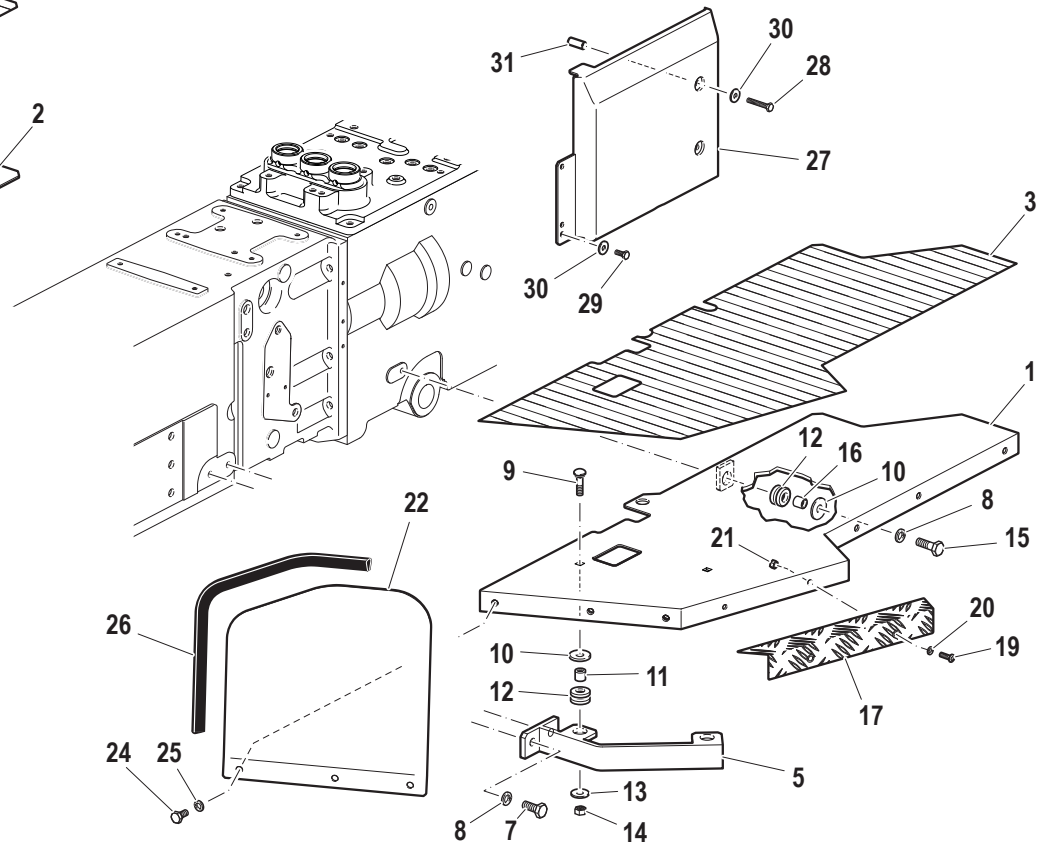
Pos.	Code	Q.ty	Description	Notes
1	59076649V	1	LEFT FRONT FENDER	
2	59076653V	1	RIGHT FRONT FENDER	
3	56177256	2	GUARD	
4	57376677	1	WING EXTENSION	
5	57376678	1	WING EXTENSION	
6	57376621	1	SUPPORT	
7	57376622	1	SUPPORT	
8	56177326	2	RETAINER	
9	58179414	2	PLUG	
10	56179445	1	FIXING PLATE	
11	56176906	1	COVER	
12	56176905	1	COVER	
13	59076615	1	SUPPORT	
14	59076613	1	SUPPORT	
15	31112264	8	SCREW TE M12X35 UNI 5739	
16	59077412	1	SAFETY ROLL BAR	
17	59076690	2	HINGE PIN	
18	P917280000000	2	GRIP	
19	P439149000000	2	SPLIT PIN	
20	F0864377000	2	SCREW M16X70 UNI 5737	
21	F0814794000	2	SELFLOCK NUT M16 CL.6	
22	59070591	1	SUPPORT	
23	58170968	1	PLUG	
24	30000514	1	REAR VIEW MIRROR	
25	56177045	8	RETAINER	



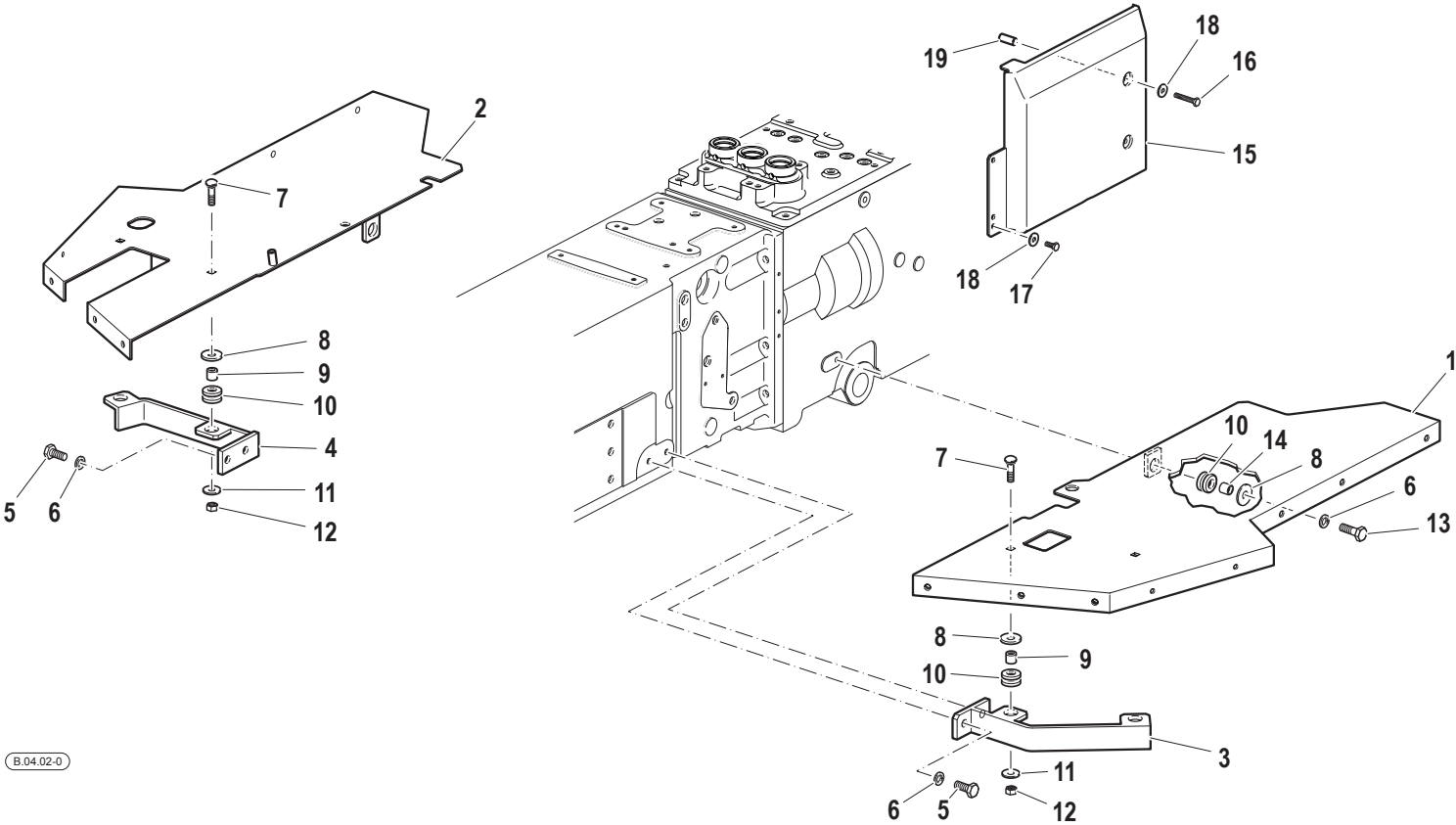
Pos.	Code	Q.ty	Description	Notes
1	59076649V	1	LEFT FRONT FENDER	
2	59076653V	1	RIGHT FRONT FENDER	
3	56177256	2	GUARD	
4	57376677	1	WING EXTENSION	
5	57376678	1	WING EXTENSION	
6	57376621	1	SUPPORT	
7	57376622	1	SUPPORT	
8	56177326	2	RETAINER	
9	58179414	2	PLUG	
10	56179445	1	FIXING PLATE	
11	56176906	1	COVER	
12	56176905	1	COVER	
13	59077057	1	WING HOLDER	
14	59077058	1	WING HOLDER	
15	31112264	8	SCREW TE M12X35 UNI 5739	
16	56177045	8	RETAINER	



B.04.01-0

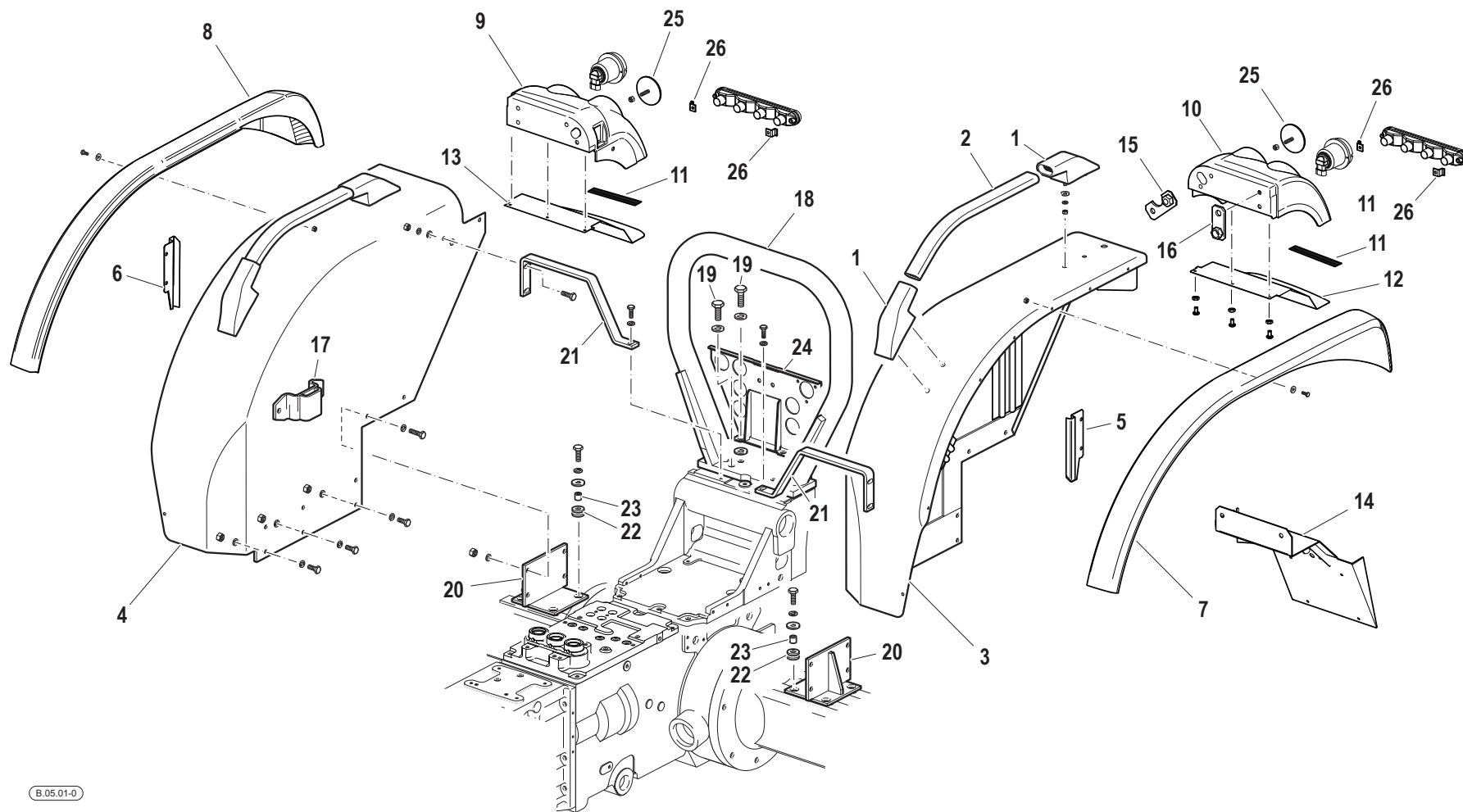


Pos.	Code	Q.ty	Description	Notes
1	59074600	1	LEFT FOOTBOARD	
2	59074601	1	RIGHT FOOTBOARD	
3	57374588	1	FOOTREST COVER	
4	57374589	1	FOOTREST COVER	
5	59074351	1	SUPPORT	
6	59073674	1	SUPPORT	
7	31112219	4	SCREW TE M10X25 UNI 5739	
8	F0843755000	6	WASHER 10	
9	31122804	4	SCREW	
10	F0843818000	6	WASHER	
11	56171996	4	SPACER	
12	55175174	6	BLOCK	
13	31411090	4	WASHER 9x24	
14	31211080	4	NUT M8	
15	31112211	2	SCREW TE M10X30 UNI 5739	
16	56171954	2	SPACER	
17	57275032	1	ANGULAR	
18	57275033	1	ANGULAR	
19	F0862479035	4	SCREW	
20	F0843570000	4	WASHER 6	
21	31211060	4	HEXAGONAL NUT M8	
22	56174527	1	FOOTBOARD PROTECTION	
23	59074782	1	FOOTBOARD PROTECTION	
24	31112149	6	SCREW TE M8X12 UNI 5739 8G	
25	F0843643060	6	WASHER 8	
26	F0256808000	1	FLAT BAND	
27	57374532	1	DIVISION	
28	31112092	2	SCREW TE M6X35 UNI 5739 8G	
29	31111091	2	SCREW E M6X14 UNI 5739 8G	
30	31411066	4	WASHER 6,6x18	
31	56174668	2	SPACER	



B.04.02-0

Pos.	Code	Q.ty	Description	Notes
1	59074600	1	LEFT FOOTBOARD	
2	59074601	1	RIGHT FOOTBOARD	
3	59074351	1	SUPPORT	
4	59073674	1	SUPPORT	
5	31112219	4	SCREW TE M10X25 UNI 5739	
6	F0843755000	6	WASHER 10	
7	31122804	4	SCREW	
8	F0843818000	6	WASHER	
9	56171996	4	SPACER	
10	55175174	6	BLOCK	
11	31411090	4	WASHER 9x24	
12	31211080	4	NUT M8	
13	31112211	2	SCREW TE M10X30 UNI 5739	
14	56171954	2	SPACER	
15	57374532	1	DIVISION	
16	31112092	2	SCREW TE M6X35 UNI 5739 8G	
17	31111091	2	SCREW E M6X14 UNI 5739 8G	
18	31411066	4	WASHER 6,6x18	
19	56174668	2	SPACER	



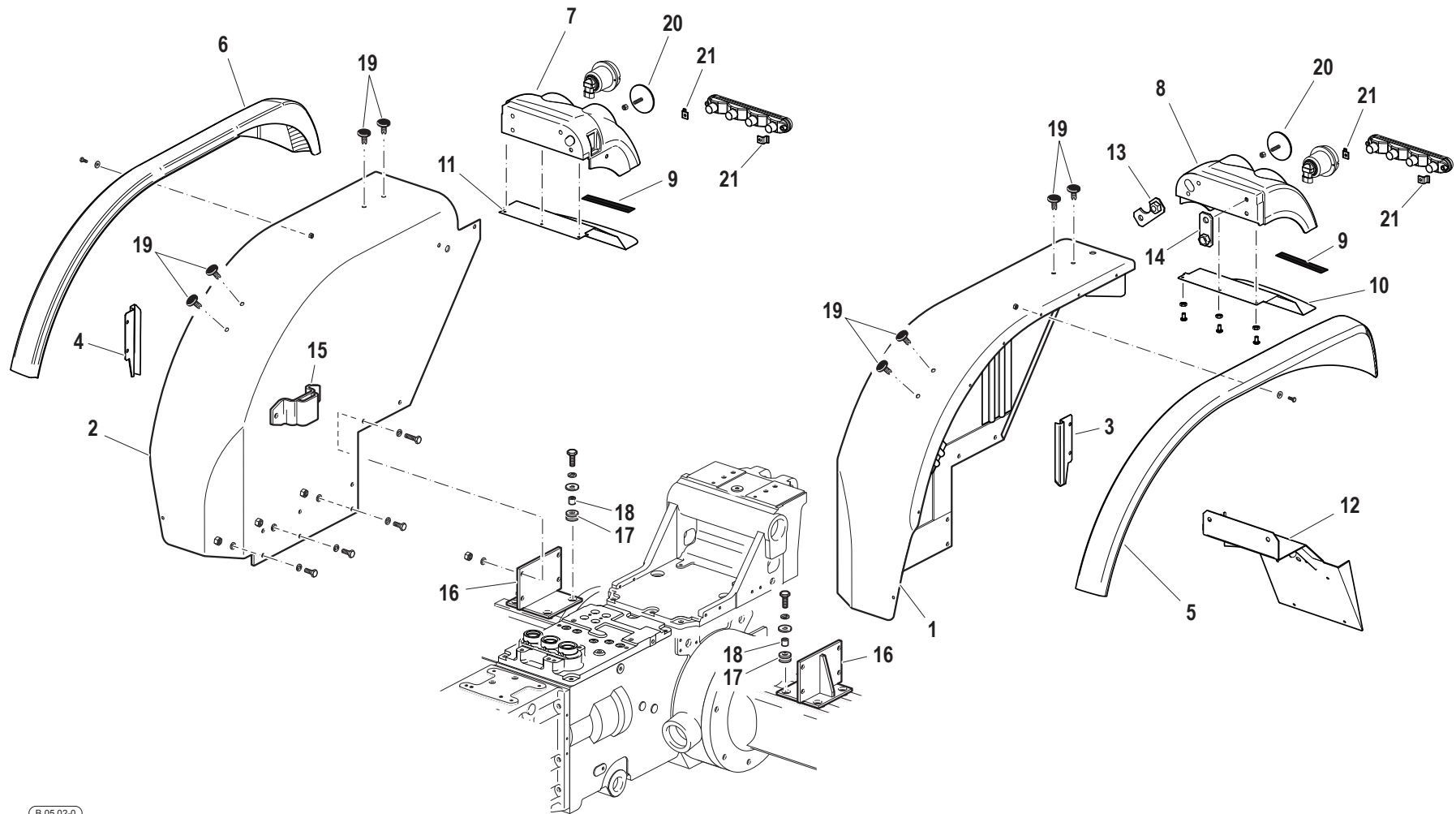
Pos.	Code	Q.ty	Description	Notes
1	55072935	4	SUPPORT	
2	56177252	2	MUDGUARD HANDLE	
3	59077455V	1	LEFT REAR FENDER	
4	59077463V	1	RIGHT REAR FENDER	
5	56177443	1	GUARD	
6	56177444	1	GUARD	
7	57376671	1	WING EXTENSION	
8	57376672	1	WING EXTENSION	
9	57376623	1	SUPPORT	
10	57376624	1	SUPPORT	
11	F0256910010	1	CELL FOAM PROFILE 10X15	
12	56176908	1	COVER	
13	56176907	1	COVER	
14	59076780	1	LICENCE PLATE HOLD	
15	56177264	1	RETAINING PLATE	
16	56177265	1	RETAINING PLATE	
17	59070592	1	LEVER BEARING	
18	59077359	1	SAFETY ROLL BAR	
19	31112801	4	SCREW M14x1,5x40 U/5740	
20	59074385	2	FIXING BRACKET	
21	56174582	2	WING HOLDER	
22	55175174	8	BLOCK	
23	56171954	8	SPACER	
24	59071966	1	CONNECTION	
25	58177330	2	REFLECTOR	
26	56177045	8	RETAINER	

SERIAL

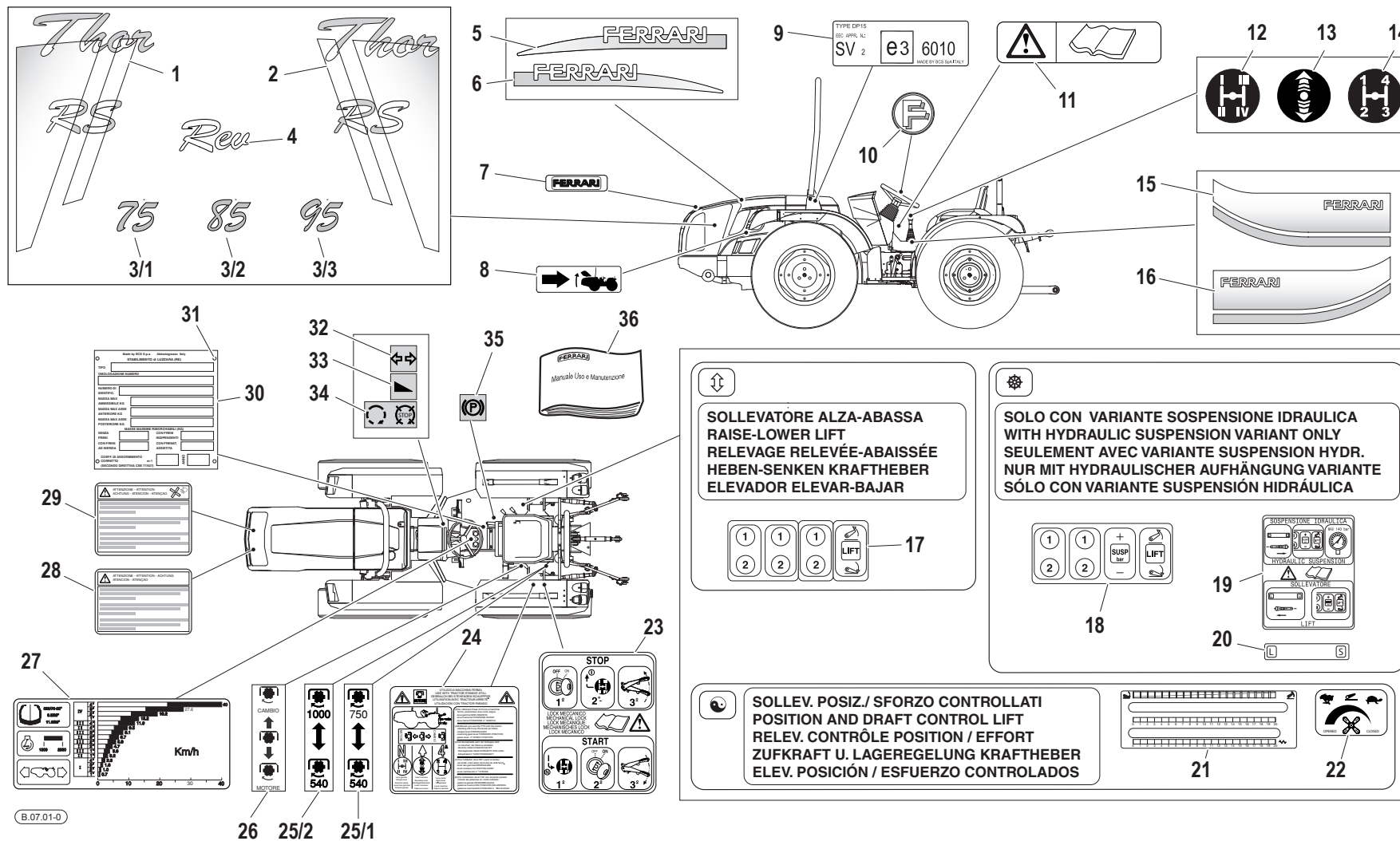
REAR MUDGUARDS

CODE REV

B.05.01_0_50640

REAR MUDGUARDS (VERSION WITH CAB)

Pos.	Code	Q.ty	Description	Notes
1	59077455V	1	LEFT REAR FENDER	
2	59077463V	1	RIGHT REAR FENDER	
3	56177443	1	GUARD	
4	56177444	1	GUARD	
5	57376671	1	WING EXTENSION	
6	57376672	1	WING EXTENSION	
7	57376623	1	SUPPORT	
8	57376624	1	SUPPORT	
9	F0256910010	1	CELL FOAM PROFILE 10X15	
10	56176908	1	COVER	
11	56176907	1	COVER	
12	59076780	1	LICENCE PLATE HOLD	
13	56177264	1	RETAINING PLATE	
14	56177265	1	RETAINING PLATE	
15	59070592	1	LEVER BEARING	
16	59074385	2	FIXING BRACKET	
17	55175174	8	BLOCK	
18	56171954	8	SPACER	
19	30040095	8	PLUG D.8,5/14	
20	58177330	2	REFLECTOR	
21	56177045	8	RETAINER	



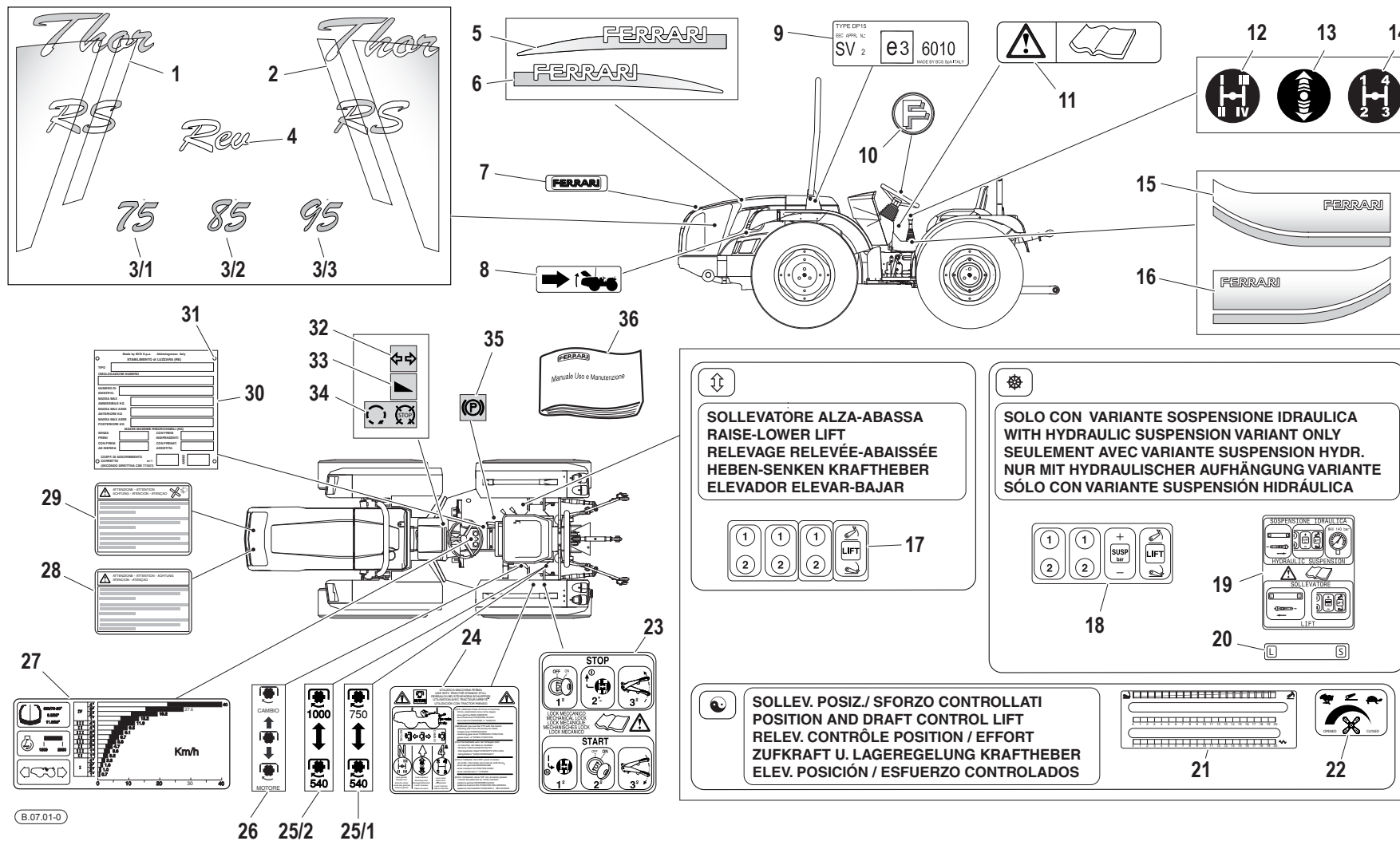
Pos.	Code	Q.ty	Description	Notes
1	58074794	1	DECAL	
2	58074795	1	DECAL	
3/1	58077581	2	DECAL	
3/2	58077580	2	DECAL	
3/3	58077579	2	DECAL	
4	58074791	2	DECAL	
5	58074786	1	DECAL	
6	58074787	1	DECAL	
7	58079466	1	DECAL	
8	58074841	1	DECAL	
9	58077619	1	PLATE	
10	58074777	1	DECAL	
11	58074880	1	PLATE	
12	58074221	1	DECAL	
13	58074220	1	DECAL	
14	58074222	1	DECAL	
15	58074839	1	DECAL	
16	58074846	1	DECAL	
17	58075022	1	PLATE	
18	58075024	1	PLATE	
19	58075521	1	DECAL	
20	58075522	1	DECAL	
21	58075152	1	DECAL	
22	58075250	1	DECAL	
23	58075021	1	DECAL	
24	58076077	1	DECAL	
25/1	58072518	1	PLATE	
25/2	58072574	1	PLATE	
26	58072575	1	PLATE	
27	58077654	1	PLATE	
28	58173772	1	PLATE	
29	58173773	1	PLATE	
30	58072737	1	PLATE	
31	F0808518050	4	RIVET 3,5x6,5	

SERIAL

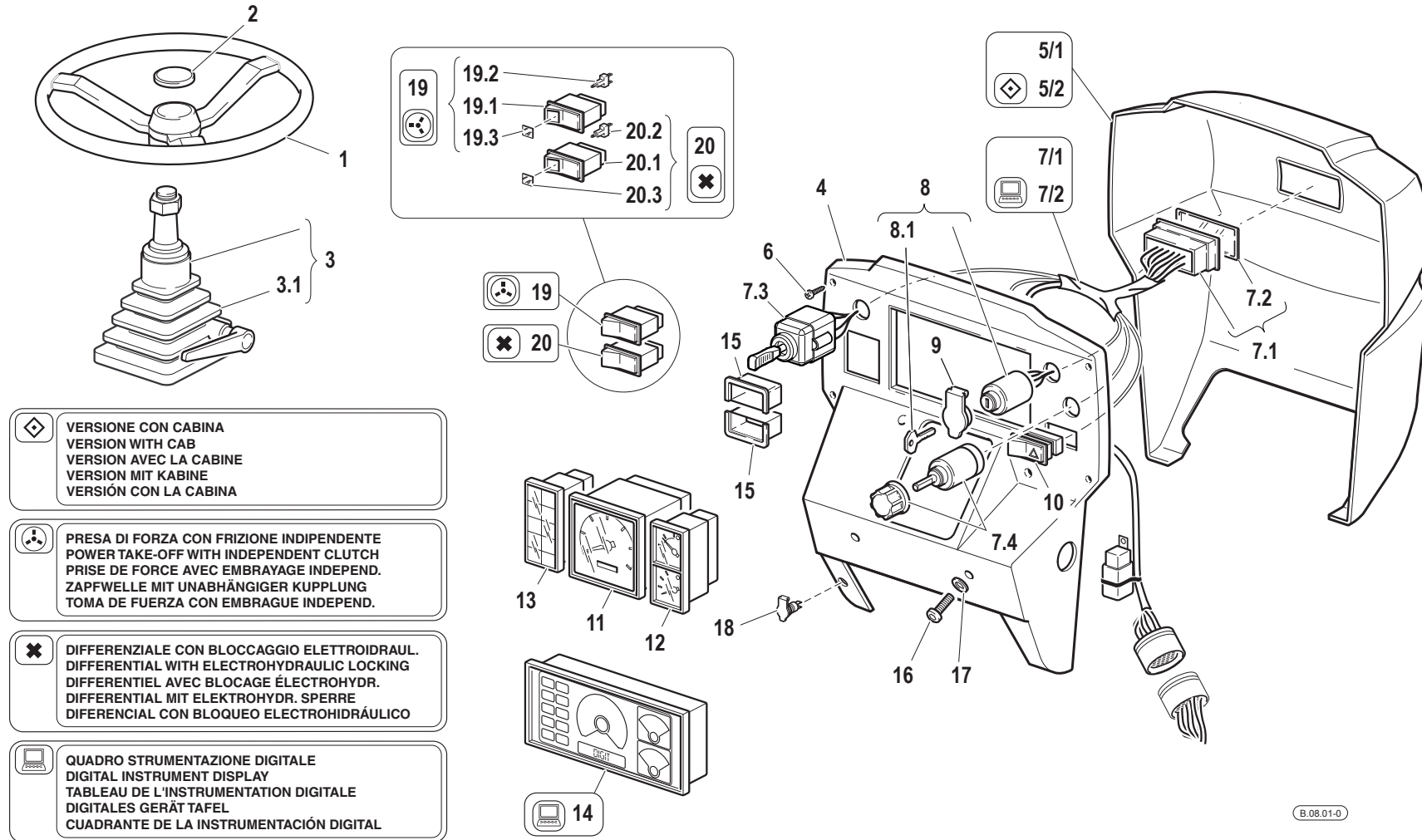
PLATES AND STICKERS

CODE REV

B.07.01_0_42552



Pos.	Code	Q.ty	Description	Notes
32	58072509	1	INSTRUCTION PLATE	
33	58072517	1	INSTRUCTION PLATE	
34	58072511	1	INSTRUCTION PLATE	
35	58072510	1	INSTRUCTION PLATE	
36	F0907170150	1	TECHN. MANUAL THOR	



Pos.	Code	Q.ty	Description	Notes
1	F0865040000	1	STEERING WHEEL	
2	F0865040020	1	PLUG	
3	F0865474000	1	UNIT	
3.1	F0865474005	1	BELLOWS	
4	55274441	1	INSTRUMENT PANEL	
5/1	55271852	1	INSTRUMENT PANEL	
5/2	55271644	1	INSTRUMENT PANEL	
6	31510053	6	RIBBED SCREW TC 4,8X32	
7/1	58077601	1	CABLE	
7.1	58170453	1	FUSE BOX	
7.2	58172267	1	COVER	
7/2	58077602	1	CABLE	
7.3	F0825436000	1	SWITCH	
7.4	F0825436003	1	SWITCH	
8	30000614	1	PANEL	
8.1	F0825500220	1	KEY	
9	F0825400060	1	COVER	
10	F0825115010	1	PUSH-BUTTON	
11	58177867	1	TRACTOR METER	
12	58175769	1	DIGITAL INSTRUMENT	
13	58175770	1	WARNING LIGHT HOLDER	
14	58174928	1	INSTRUMENT	
15	58170376	2	TERMINAL FOR SWITCH	
16	F0862479020	4	SCREW M8X16 7380	
17	31411084	4	WASHER 8,4x17	
18	F0825403050	1	SOCKET	
19	58170344	2	CHANGE-OVER SWITCH	
19.1	58173116	2	CHANGE-OVER SWITCH	
19.2	58173119	2	PILOT LIGHT 12V	
19.3	58173120	1	GLASS	
20	58170345	1	CHANGE-OVER SWITCH	
20.1	58173116	2	CHANGE-OVER SWITCH	
20.2	58173119	2	PILOT LIGHT 12V	
20.3	58173121	1	GLASS	

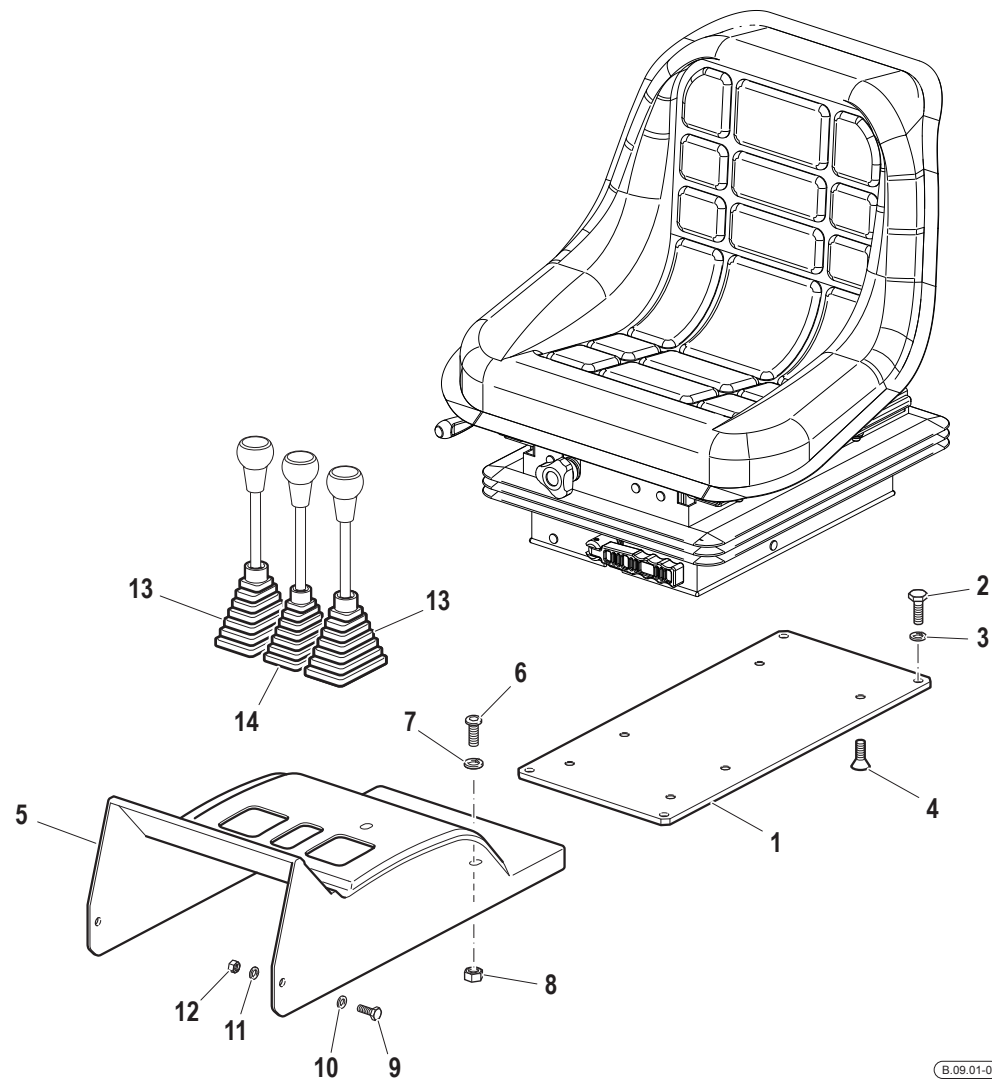
SERIAL

DASHBOARD

CODE REV

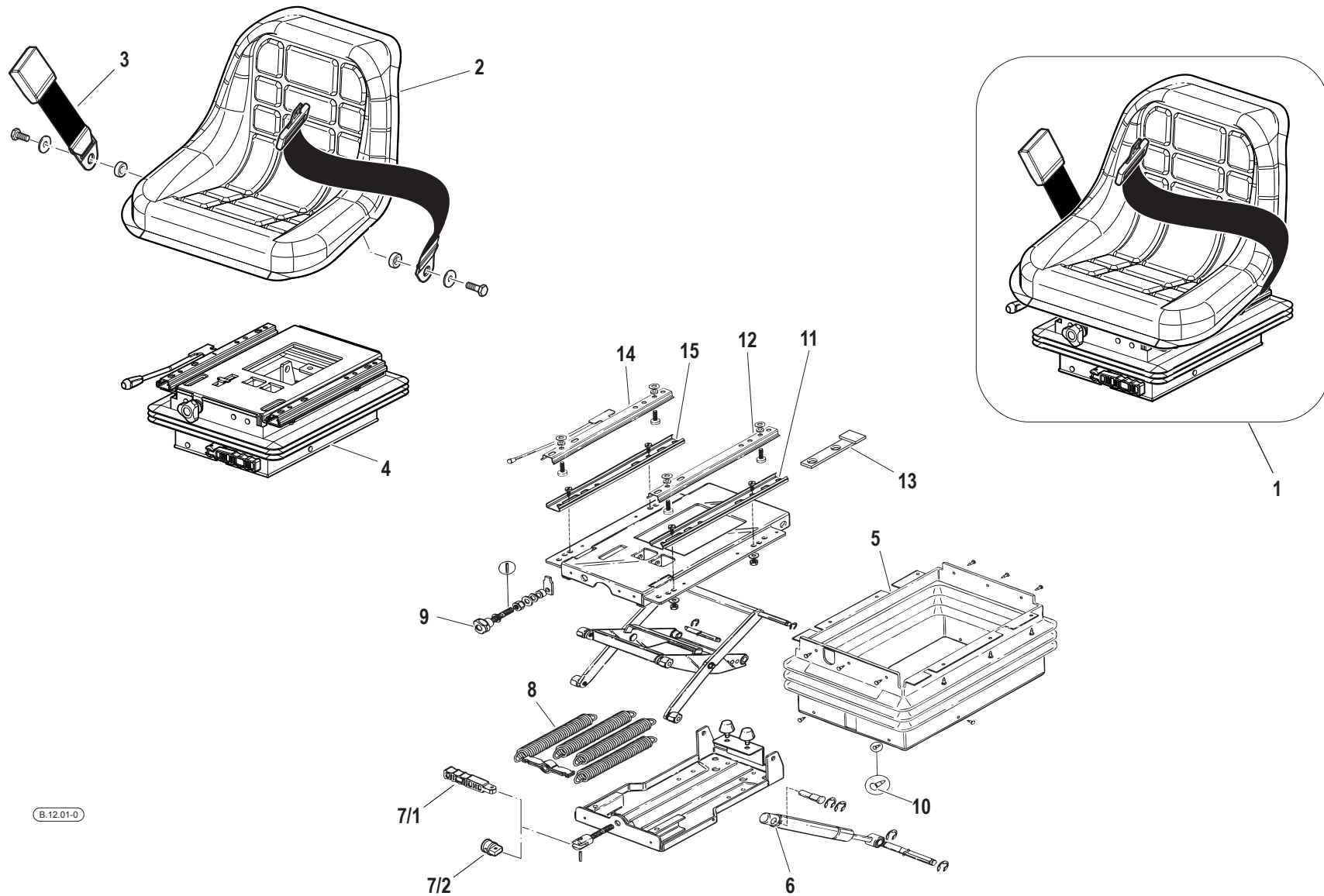
B.08.01_0_38736

SEAT SUPPORT / GEAR LEVERS COVER



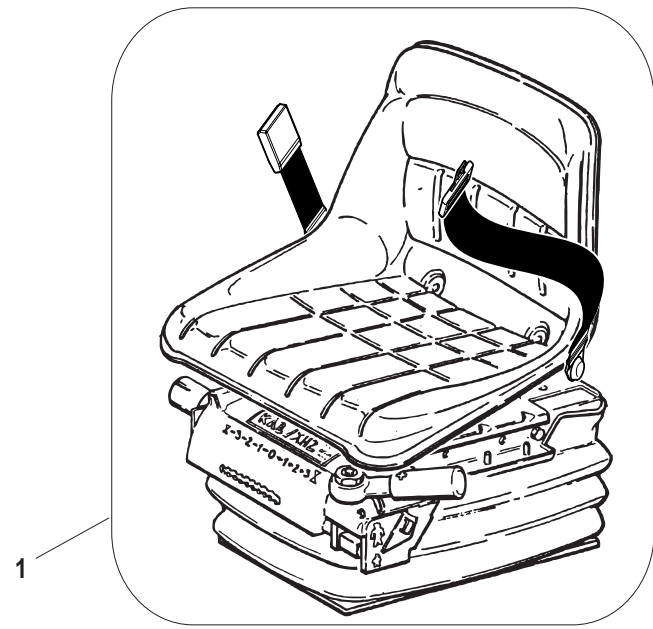
Pos.	Code	Q.ty	Description	Notes
1	56174643	1	FIXING PLATE	
2	31112147	4	SCREW TE M8X18 UNI 5739 8G	
3	F0843643060	4	WASHER 8	
4	31132566	4	SCREW TSVEI M8X20 UNI 5933	
5	57374853V	1	COP.LEVE CAMBIO(74853)VERDE **	
6	F0862479032	2	SCREW M8X25 7380	
7	31411084	2	WASHER 8,4x17	
8	F0814647000	2	NUT M10	
9	31112090	4	SCREW TE M6X16 UNI 5739 8G	
10	31411064	4	WASHER 6,4x12,5	
11	31211060	4	HEXAGONAL NUT M8	
12	F0843570000	4	WASHER 6	
13	55174163	2	BELLOWS	
14	55174162	1	BELLOWS	

SEAT (STANDARD)

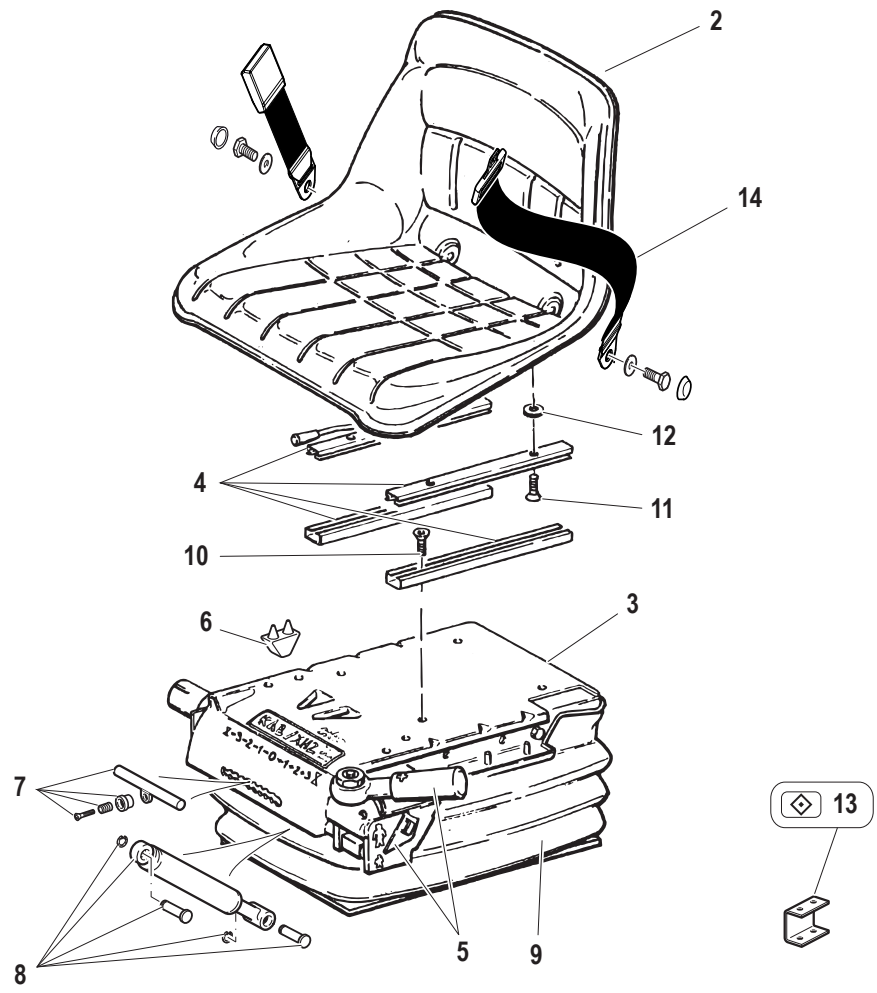


Pos.	Code	Q.ty	Description	Notes
1	58177723	1	SEAT	
2	59901048	1	SEAT	
3	58192377	1	SAFETY BELT	
4	59901049	1	SUSPENSION	
5	59900159	1	BELLOWS	
6	59900156	1	SHOCKS ABSORBER	
7/1	59900155	1	LEVER	
7/2	56172172	1	SMALL BLOCK	
8	59900154	4	SPRING	
9	59900153	1	KNOB	
10	59900158	18	SCREW	
11	59900157	1	LOWER GUIDE	
12	59900160	1	GUIDE	
13	59071241	1	STOP PLATE	
14	59900161	1	GUIDE	
15	59900152	1	LOWER GUIDE	

◇
VERSIONE CON CABINA
VERSION WITH CAB
VERSION AVEC LA CABINE
VERSION MIT KABINE
VERSIÓN CON LA CABINA



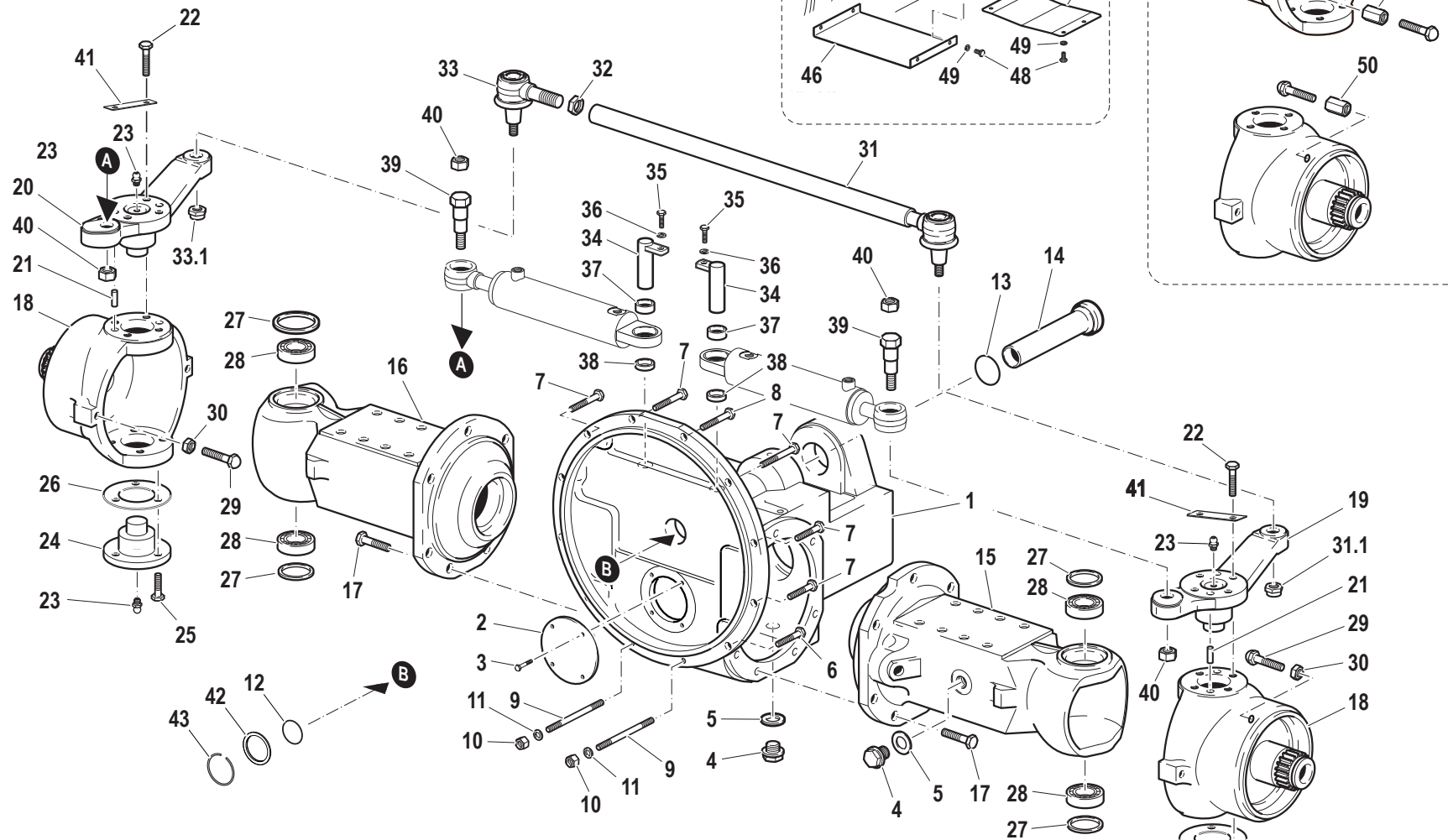
B.12.02-0



Pos.	Code	Q.ty	Description	Notes
1	59900200	1	SEAT	
2	F0150036215	1	SEAT CAVITY	
3	F0150036219	1	SPRING	
4	58173437	1	SEAT GUIDE	
5	59900183	1	CONTROL	
6	59900184	1	LIMITER	
7	59900185	1	CONTROL	
8	59900186	1	SHOCKS ABSORBER	
9	59900187	1	BELLOWS	
10	31111151	5	SCREW TE M8X16 UNI 5739 8G	
11	F0862495010	4	SCREW	
12	F0843696000	4	WASHER	
13	56171223	1	BRACKET	
14	58192377	1	SAFETY BELT	

FRONT AXLE FRONT AXLE

SERIAL START 914482

C.01.01_1_38975



QUADRO STRUMENTAZIONE DIGITALE
 DIGITAL INSTRUMENT DISPLAY
 TABLEAU DE L'INSTRUMENTATION DIGITALE
 DIGITALES GERÄT TAFEL
 CUADRANTE DE LA INSTRUMENTACIÓN DIGITAL


TRATTORI CON SOLLEVATORE ANTERIORE
 TRACTORS WITH FRONT LIFT
 TRACTEUR AVEC RELEVAGE AVANT
 TRAKTOR MIT VORDEREN HEBEWERK
 TRACTORES CON ELEVADOR DELANTERO

Pos.	Code	Q.ty	Description	Notes
1	51176126	1	FRONT AXLE HOUSING	
2	51176125	1	FRONT COVER	
3	31112090	4	SCREW TE M6X16 UNI 5739 8G	
4	56370081	2	PLUG	
5	F0844273090	2	GASKET 22X28X1,5 CU 99,5	
6	31112211	2	SCREW TE M10X30 UNI 5739	
7	31112212	7	SCREW TE M10X35 UNI 5739	
8	31112213	1	SCREW TE M10X40 UNI 5739	
9	F0838475000	2	STUD BOLT M10X90 UNI 5911 8.8	
10	F0814632000	2	NUT M10	
11	F0843755000	2	WASHER 10	
12	F0803259000	1	O-RING	
13	F0803209070	1	O-RING	
14	59070012	1	PIPE	
15	51276773	1	FRONT AXLE HOUSING	
16	51276772	1	FRONT AXLE HOUSING	
17	F0864222010	16	SCREW M14X1,5/40 5738	
18	51277912	2	JOINT	
19	52377914	1	STEERING TRACK LEVER	
20	52377913	1	RIGHT ARM	
21	56377097	4	PIN	
22	31112267	8	SCREW M12x1,25x40 UNI 5738 10.9	
23	30000007	4	LUBRICATOR	
24	52370083	2	JOINT PIN	
25	F0863267050	6	SCREW M10x25	
26	56170082	1	SHIM	
26	56170221	1	SHIM	
26	56170222	1	SHIM	
26	56170223	1	SHIM	
26	56173353	1	SHIM	
27	58170077	4	GASKET	
28	F0812747000	4	BEARING 32006X (30x55x17)	
29	56379482	2	ADJUSTING SCREW	
30	31211123	2	NUT M12X1,25	

SERIAL
START
914482

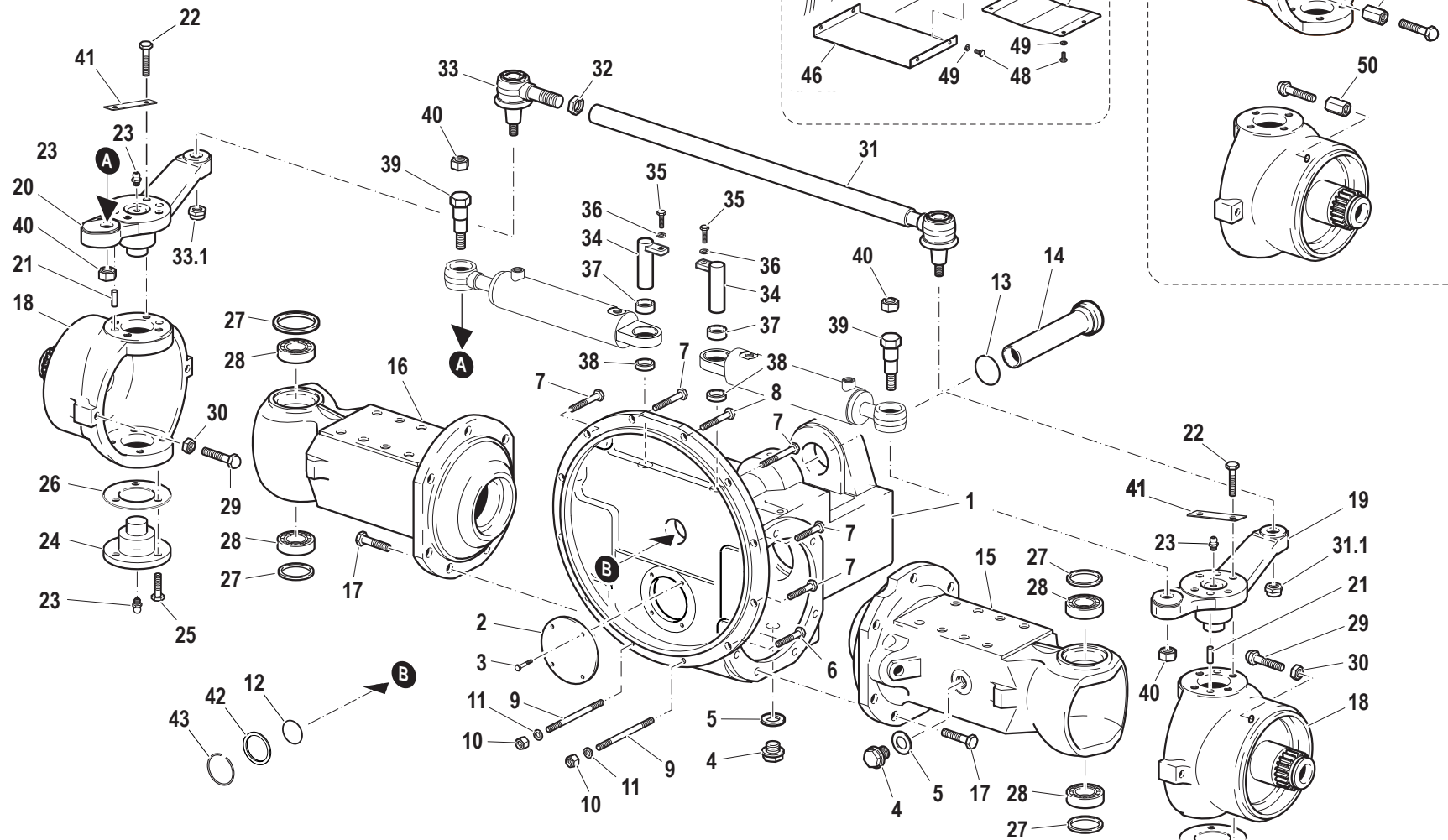
FRONT AXLE FRONT AXLE

CODE REV

C.01.01_1_38975

FRONT AXLE FRONT AXLE

SERIAL START 914482

C.01.01_1_38975



QUADRO STRUMENTAZIONE DIGITALE
 DIGITAL INSTRUMENT DISPLAY
 TABLEAU DE L'INSTRUMENTATION DIGITALE
 DIGITALES GERÄT TAFEL
 CUADRANTE DE LA INSTRUMENTACIÓN DIGITAL

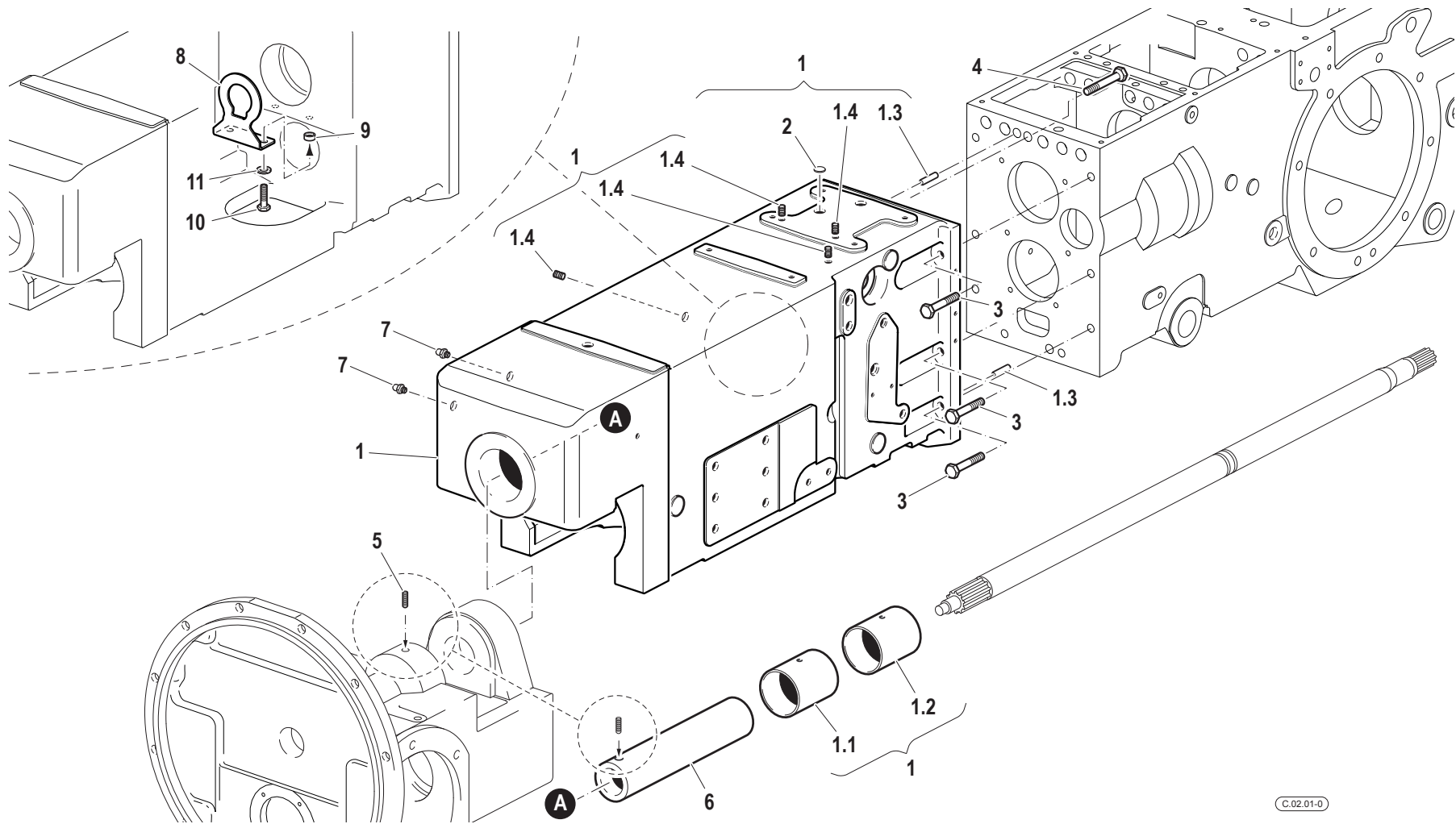

TRATTORI CON SOLLEVATORE ANTERIORE
 TRACTORS WITH FRONT LIFT
 TRACTEUR AVEC RELEVAGE AVANT
 TRAKTOR MIT VORDEREN HEBWERK
 TRACTORES CON ELEVADOR DELANTERO

Pos.	Code	Q.ty	Description	Notes
31	59070225	1	ROD	
31.1	F0814797000	2	SELFLOCK NUT	
32	56370486	1	SPECIAL NUT M20X1 CH32 6S	
33	58170069	1	BALL JOINT END	
34	59071171	2	HINGE PIN	
35	31111151	2	SCREW TE M8X16 UNI 5739 8G	
36	F0843643060	2	WASHER 8	
37	56170226	2	SPACER	
38	56171172	2	SPACER	
39	56377915	2	HINGE PIN	
40	31241161	4	SELFLOCK NUT M16X1,5	
41	56077910	4	CLAMPING PLATE	
42	56177068	1	SPACER	
43	F0801310600	1	SAFETY RING	
44	58175209	1	SENSOR	
45	56174919	1	BRACKET	
46	56174920	1	SHEET	
47	56172538	1	LAMINATION	
48	31112082	8	SCREW TE M6X12 UNI 5739 8G	
49	F0843570000	8	WASHER 6	
50	56077977	2	SMALL COLUMN	

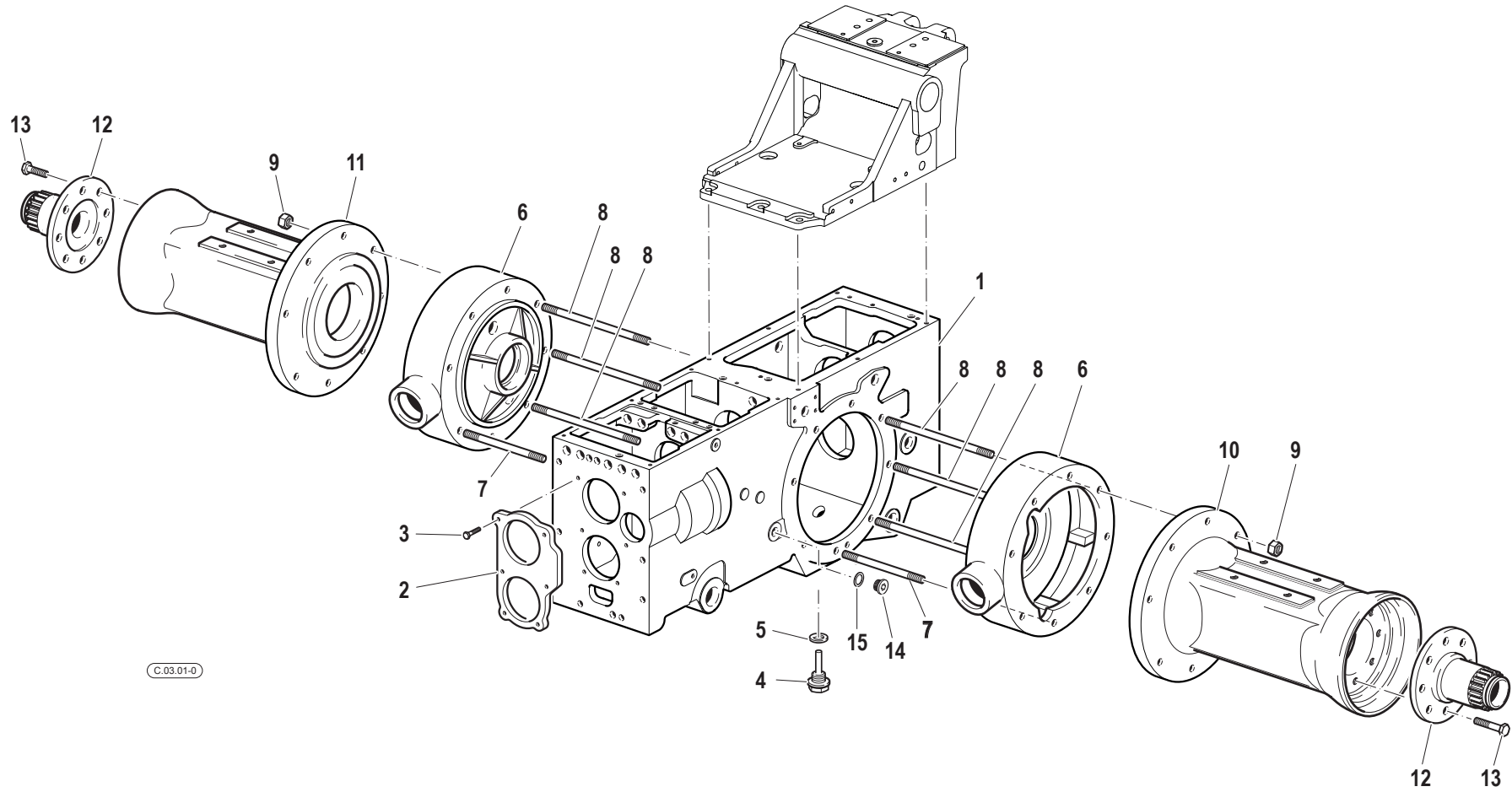
SERIAL
START
914482

FRONT AXLE FRONT AXLE

CODE REV
C.01.01_1_38975

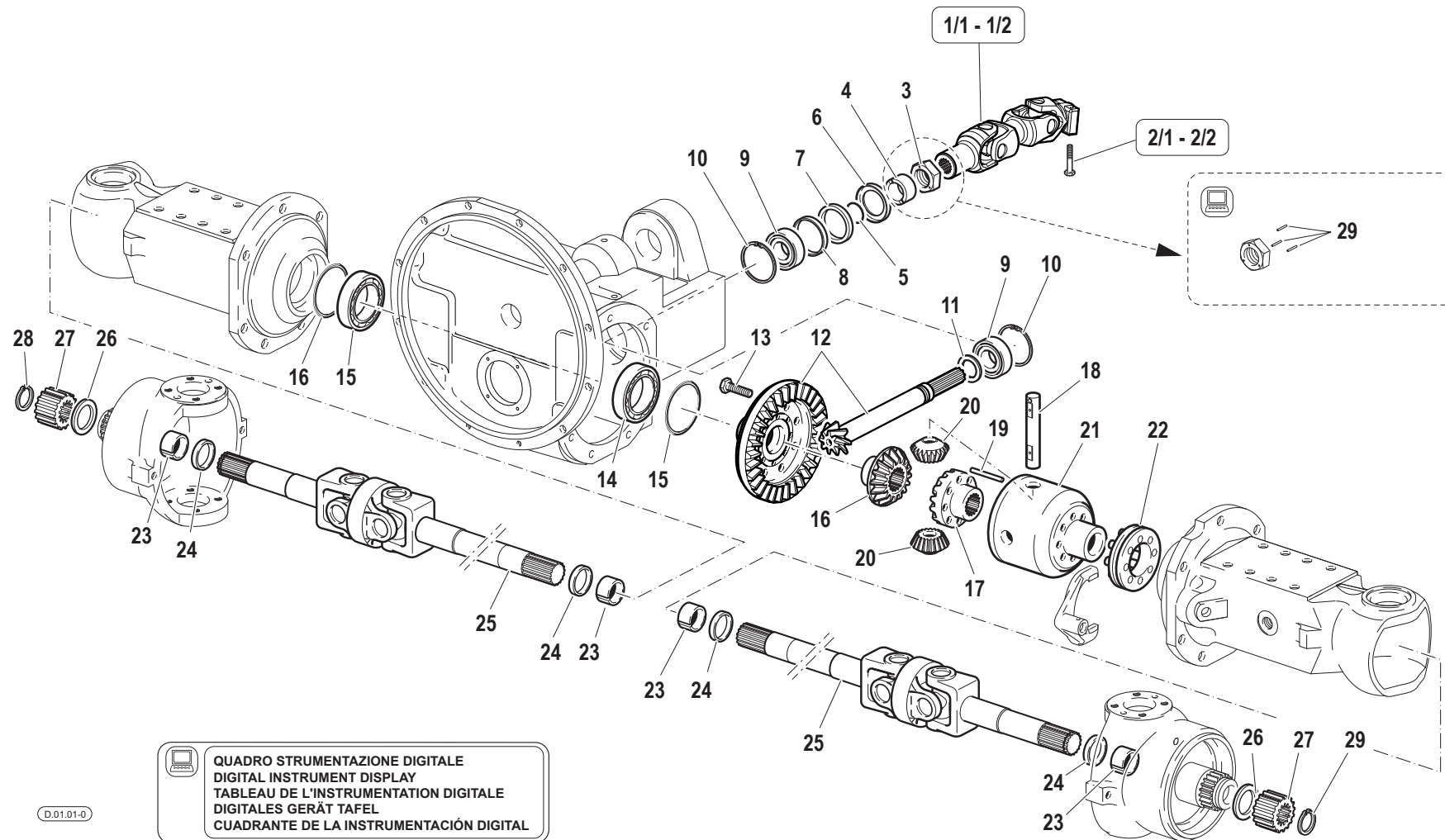


Pos.	Code	Q.ty	Description	Notes
1	59276001	1	CLUTCH HOUSING	
1.1	56276372	1	BUSHING	
1.2	56276371	1	BUSHING	
1.3	56570016	2	CYLINDRICAL PLUG	
1.4	58079118	1	ROD	
2	F0852540050	1	PLUG	
3	F0863925000	8	SCREW M12X40 UNI 5737	
4	F0863951000	1	SCREW M12X45 UNI 5737	
5	58077226	1	GRAIN	
6	56477227	1	PIN	
7	F0826056000	2	LUBRICATOR M10 UNI 7663A	
8	59075813	1	BRACKET	
9	56170364	2	SPACER	
10	31112146	2	SCREW TE M8X22 UNI 5739 8G	
11	F0843643060	2	WASHER 8	



C.03.01-0

Pos.	Code	Q.ty	Description	Notes
1	51176123	1	GEAR BOX	
2	51173650	1	FRONT COVER	
3	31112151	6	SCREW TE M8X25 UNI 5739 8G	
4	58170021	1	PLUG	
5	F0844273090	1	GASKET 22X28X1,5 CU 99,5	
6	51170020	2	BRAKE HOUSING	
7	31313300	10	STUD BOLT M14X1,5X105	
8	31313320	6	STUD BOLT M14X1,5X120	
9	F0814750010	16	NUT M14X1,5	
10	51173804	1	REDUCTION BOX	
11	51173803	1	BOX	
12	56373800	2	SUPPORT	
13	F0863890010	16	SCREW M12x1,75x35	
14	30040035	1	PLUG M18x1,5 DIN908	
15	F0824113000	1	COPPER WASHER 18X24/1,5	



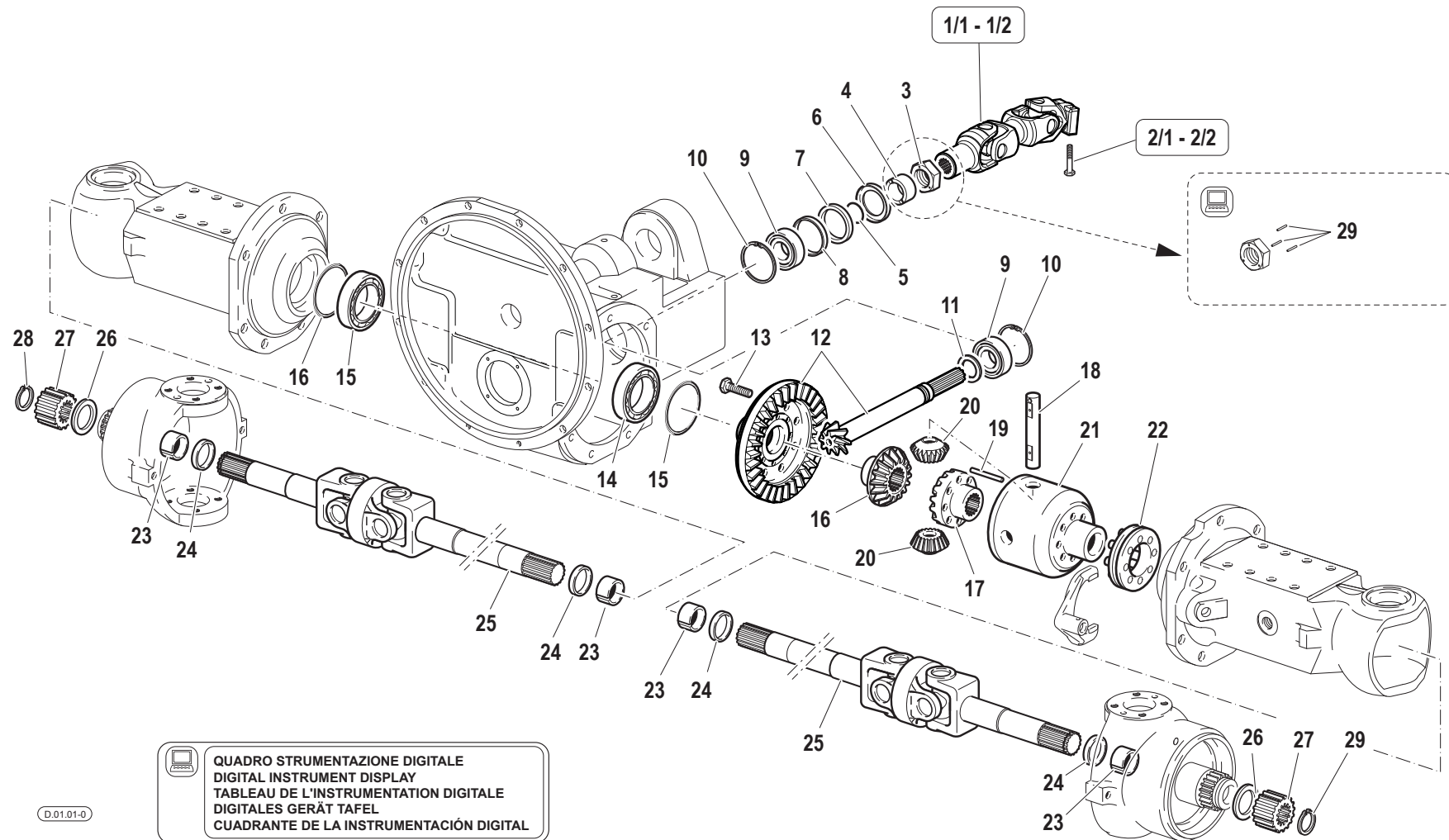
Pos.	Code	Q.ty	Description	Notes
1/1	58178873	1	JOINT	
1/2	58178811	1	JOINT	
2/1	F0862785000	1	SCREW	
2/2	31111156	1	SCREW TE M8X50 UNI 5737 CL 10.9	
3	56372536	1	RING NUT	
4	56470215	1	SPACER	
5	F0803078100	1	O-RING	
6	56170214	1	PROTECTIVE RING D=72	
7	F0802239045	1	SEAL 50x72x8	
8	56170213	1	SPACER	
9	F0812859000	2	BEARING 32207	
10	F0801422010	2	SEEGER RING	
11	56370209	1	SHIM	
11	56370210	1	SHIM	
11	56370211	1	SHIM	
11	56370212	1	SHIM	
12	59376519	1	BEVEL GEAR	
13	F0863311250	8	SCREW M10x1,5x32	
14	F0812956000	2	BEARING 32010 X/Q	
15	56370089	1	RING	
15	56370127	1	RING	
15	56370128	1	RING	
16	52470064	1	PINION	
17	52470063	1	PINION	
18	56471036	1	PIN	
19	56371037	1	PIN	
20	52470067	2	DIFFERENTIAL PINION	
21	51371035	1	HOUSING	
22	59070065	1	SLEEVE	
23	58170039	4	BUSHING	
24	F0802119050	4	SEAL 30x44x11	
25	58170107	2	JOINT	
26	56470216	2	SHIM	
27	52470086	2	CROWN WHEEL	

SERIAL

FRONT TRANSMISSION

CODE REV

D.01.01_0_40115

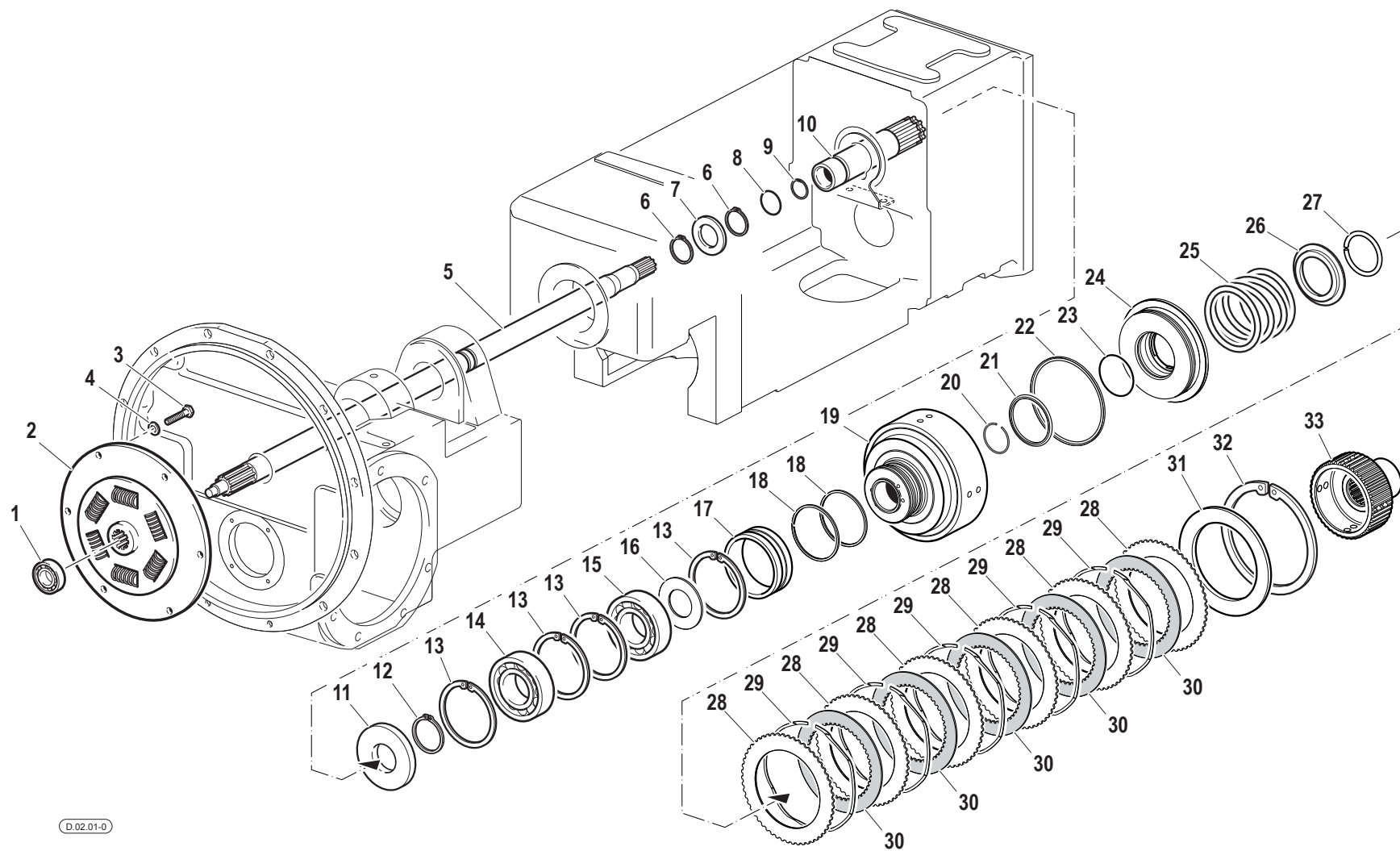


D.01.01-0


QUADRO STRUMENTAZIONE DIGITALE
DIGITAL INSTRUMENT DISPLAY
TABLEAU DE L'INSTRUMENTATION DIGITALE
DIGITALES GERÄT TAFEL
CUADRANTE DE LA INSTRUMENTACIÓN DIGITAL

Pos.	Code	Q.ty	Description	Notes
28	F0801218010	2	SEEGER RING	
29	F0851044000	3	PIN 3,0X26 DIN 1481 CL:C72	

CLUTCH FRONT SHAFT / TRANSMISSION CLUTCH



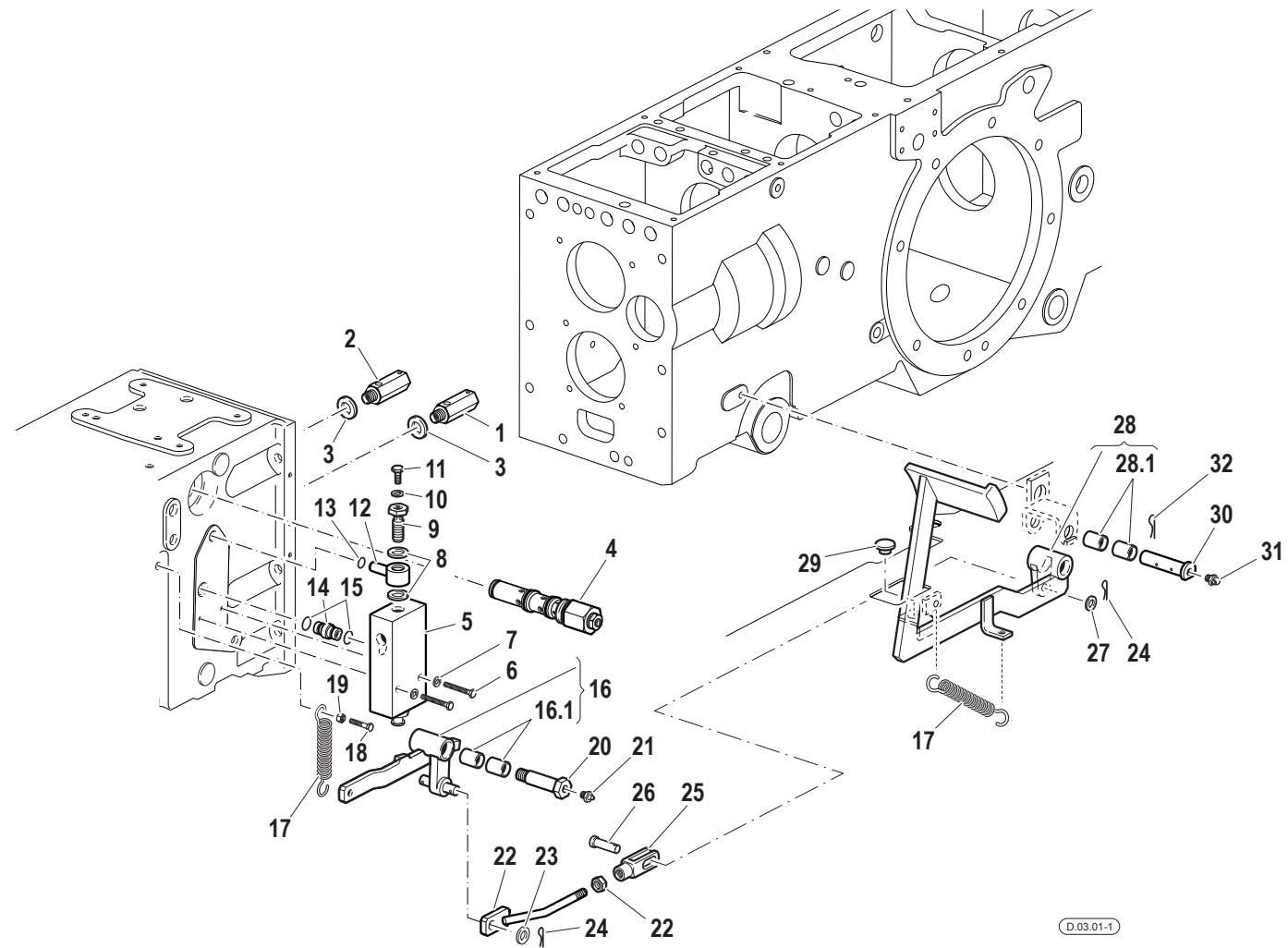
Pos.	Code	Q.ty	Description	Notes
1	F0812523050	1	BEARING 6201-2RS	
2	58177653	1	JOINT	
3	31112150	6	SCREW TE M8X20 UNI 5739 8G	
4	31421083	6	WASHER	
5	56573662	1	FRONT CLUTCH SHAFT	
6	35121030	2	SEEGER RING	
7	57371049	1	WASHER D.44x30,2/4	
8	38112510	1	O-RING	
9	F0801138010	1	SEEGER RING	
10	52473658	1	SHAFT	
11	F0802163010	1	SEAL 35x80/10	
12	F0801264050	1	SEEGER RING	
13	35111080	4	SEEGER RING	
14	37111354	1	BEARING	
15	F0812868100	1	BEARING 6307-2Z (35x80x21)	
16	56371162	1	SHIM	
17	56470002	1	BUSHING	
18	58170306	2	SEAL	
19	52573648	1	CLUTCH HOUSING	
20	F0801266100	1	SAFETY RING	
21	58170443	1	GASKET	
22	58172400	1	GASKET	
23	38104412	1	O-RING	
24	53273025	1	PISTON	
25	58070262	1	RESTORING SPRING	
26	56370267	1	RING	
27	58070268	1	CIRCLIP	
28	58170034	6	DISC	
29	58172106	5	SPRING	
30	58172105	5	DISC	
31	56370037	1	CLUTCH DISC	
32	F0801455100	1	SEEGER RING	
33	52473655	1	HUB	

SERIAL

CLUTCH FRONT SHAFT / TRANSMISSION CLUTCH

CODE REV

D.02.01_0_39284



Pos.	Code	Q.ty	Description	Notes
1	59278554	1	VALVE	
2	59278555	1	VALVE	
3	F0843841000	2	COPPER WASHER 12,0x18/1,5	
4	58177754	1	VALVE	
5	58173030	1	SWITCH	
6	F0862345000	2	SCREW M6X40 UNI 5737	
7	F0843581010	2	SPRING WASHER 6	
8	F0843907000	2	COPPER WASHER 13,66x19/1,5	
9	58074558	1	PIPE FITTING	
10	F0843641000	1	COPPER WASHER 8x14/1,5	
11	F0862448100	1	SCREW M8X10 UNI 5740	
12	59074623	1	PRESSURE PIPE	
13	38110992	1	O-RING	
14	56170029	1	PIPE FITTING	
15	F0803057000	2	O-RING	
16	59073725	1	ROCKER	
16.1	58173195	2	BUSHING	
17	58070790	2	RESTORING SPRING	
18	F0862694000	1	SCREW M8X170 UNI 5737	
19	F0814569000	1	NUT	
20	56173684	1	PIN	
21	30000007	1	LUBRICATOR	
22	59073685	1	ROD	
23	31411105	1	WASHER 10,5x21	
24	F0810510000	2	SPLIT PIN A2,0X20 UNI 1336	
25	56074302	1	FORK	
26	F0835523000	1	PIN	
27	31411084	1	WASHER 8,4x17	
28	59074206	1	CLUTCH PEDAL	
28.1	58173195	2	BUSHING	
29	F0822537050	1	BUFFER	
30	56373194	1	HINGE PIN	
31	F0826039000	1	LUBRICATOR	
32	F0810527000	1	FRONT COVER	

SERIAL

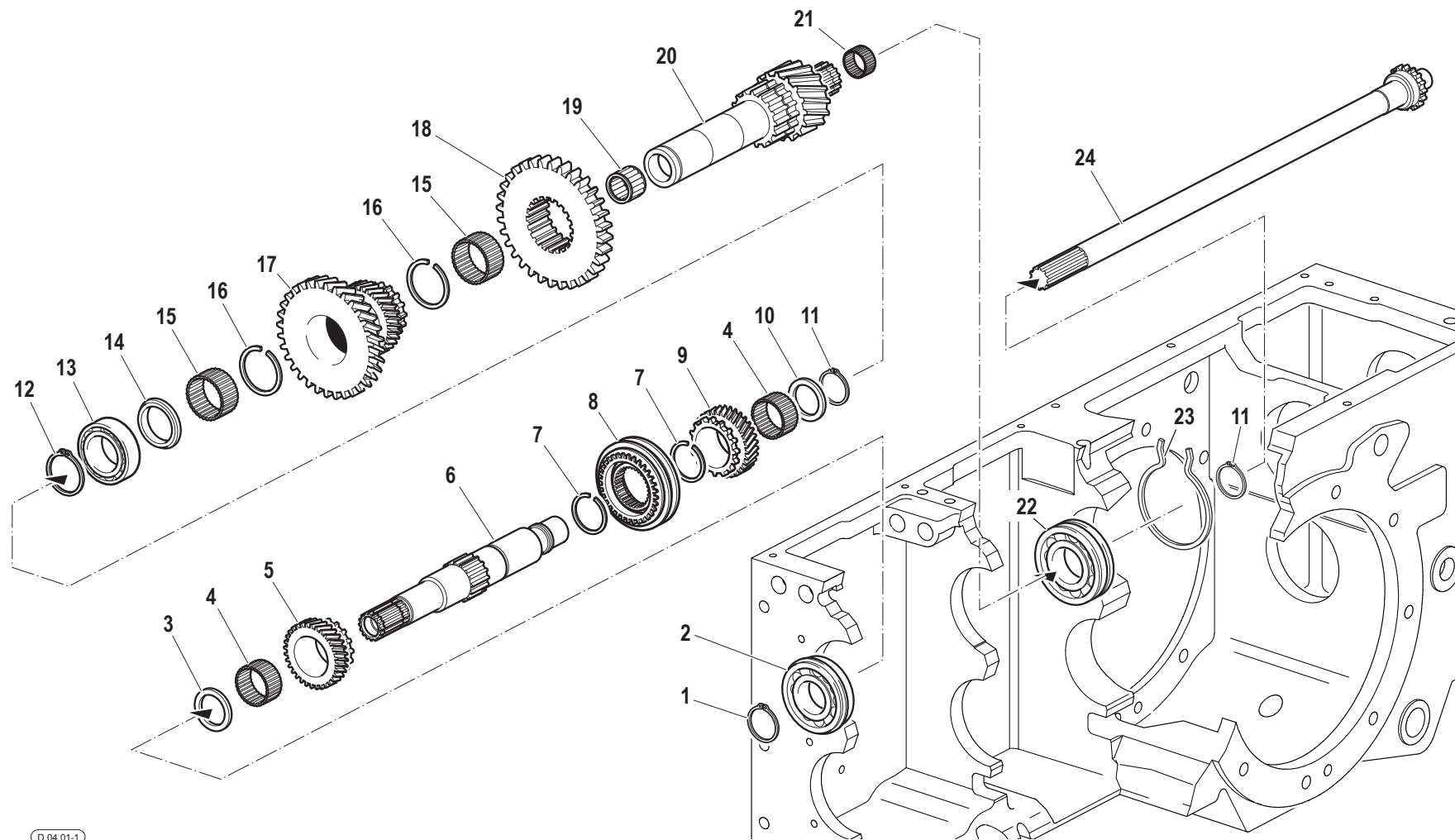
CLUTCH CONTROLS

Version: RS-M, AR-M

CODE REV

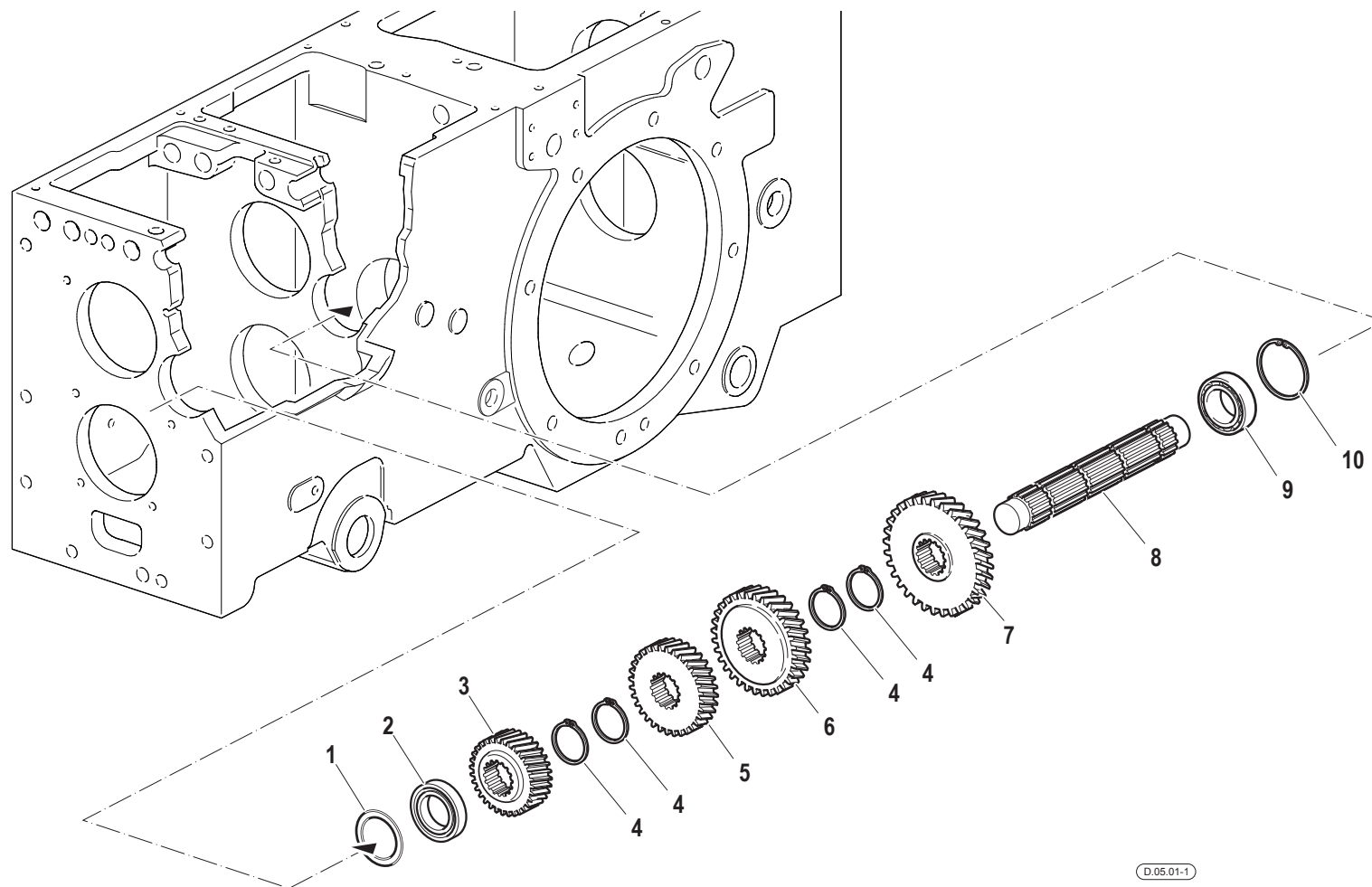
D.03.01_1_39393

INPUT SHAFT / RANGES MAIN SHAFT / GEARS



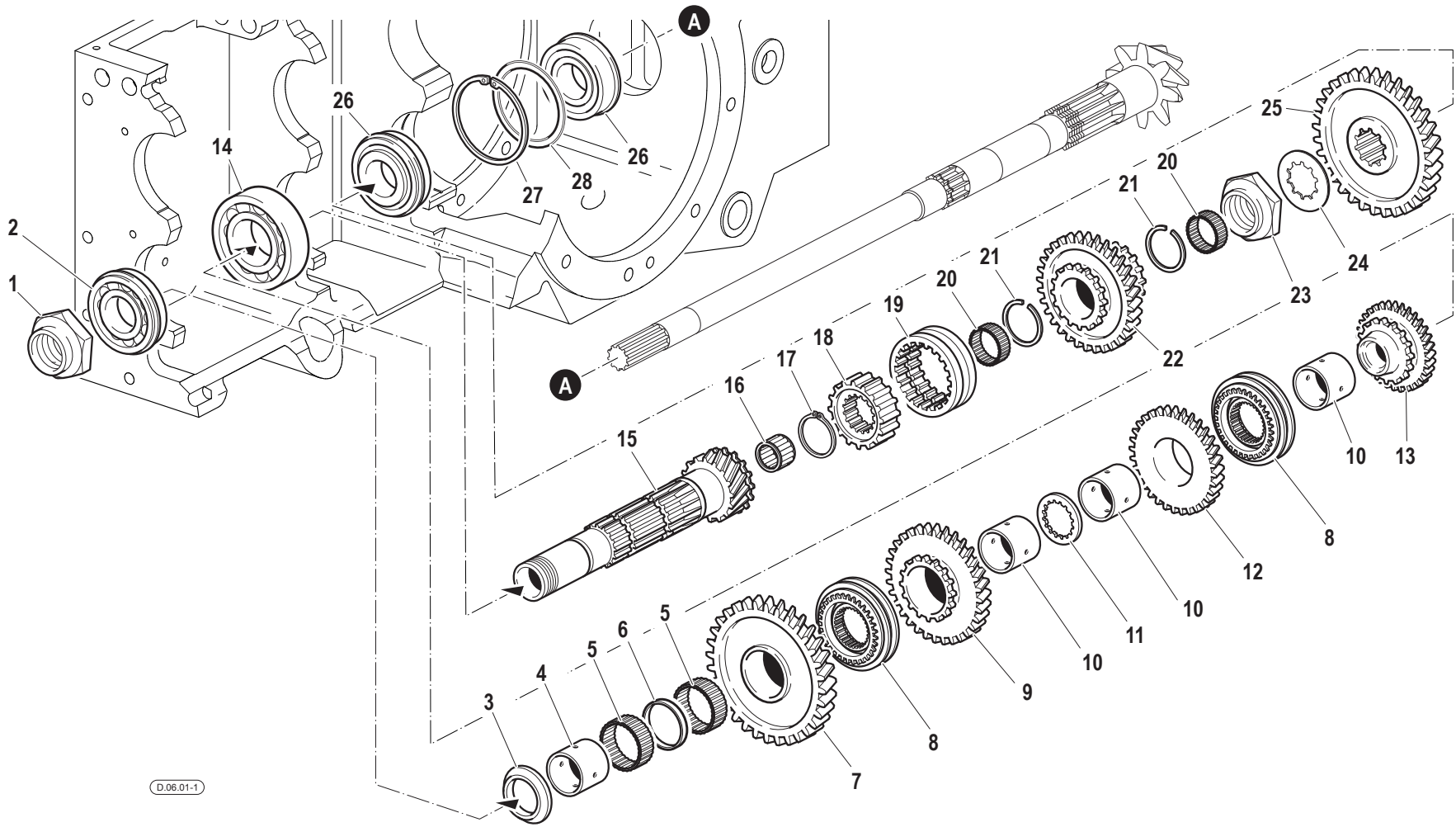
Pos.	Code	Q.ty	Description	Notes
1	F0801264050	1	SEEGER RING	
2	F0812868000	1	BEARING 6307-NR	
3	56470110	1	SHIM	
4	F0812878040	2	ROLLER CAGE K 40X45/27	
5	52473838	1	DRIVEN GEAR	
6	56473818	1	SHAFT	
7	F0801331150	2	SAFETY RING	
8	58170279	1	LOCK SYNCHRONIZER	
9	52473839	1	GEAR	
10	56470139	1	SHIM	
11	35121040	1	SEEGER RING	
12	F0801353000	1	SEEGER RING	
13	37112501	1	BEARING	
14	56470111	1	SHIM	
15	F0812951200	2	ROLLER CAGE K 50X55/20 H	
16	F0801380100	2	SAFETY RING	
17	52478618	1	DOUBLE GEAR	
18	52478619	1	GEAR	
19	F0812783000	1	ROLLER CAGE K 32X38/20	
20	52478620	1	OUTPUT SHAFT	
21	F0812660020	1	ROLLER CAGE K 22X26/17	
22	F0812918010	1	BEARING 6308-NR (40x90x23)	
23	58170130	1	CIRCLIP	
24	52473656	1	SHAFT	

GEARS MAIN SHAFT / GEARS



Pos.	Code	Q.ty	Description	Notes
1	F0850100000	1	SHIM 41x51/0,2	
1	F0850100010	1	SHIM 41x51/0,3	
1	F0850100020	1	SHIM 41x51/0,5	
2	F0812708030	1	BEARING NJ 205E	
3	52478612	1	GEAR	
4	F0801241010	4	SEEGER RING	
5	52473829	1	GEAR	
6	52473830	1	GEAR	
7	52473831	1	GEAR	
8	52473827	1	OUTPUT SHAFT	
9	37111255	1	BEARING	
10	35111052	1	SEEGER RING	

GEARS TRANSMISSION SHAFT / GEARS



Pos.	Code	Q.ty	Description	Notes
1	56373840	1	RING NUT	
2	F0812899000	1	BEARING 6208-NR	
3	52478611	1	SHIM	
4	56578610	1	BUSHING	
5	F0812951070	2	ROLLER CAGE K 47X52/17 H	
6	56278614	1	SPACER	
7	52478609	1	DRIVEN GEAR	
8	58171139	2	LOCK SYNCHRONIZER	
9	52473835	1	DRIVEN GEAR	
10	56470138	3	BUSHING	
11	56470137	1	SHIM	
12	52473836	1	DRIVEN GEAR	
13	52473837	1	DRIVEN GEAR	
14	F0812957000	1	BEARING 6210 (50/90/20)	
15	52474251	1	COUNTERSHAFT	
16	F0812692015	1	ROLLER CAGE K 25X35/25	
17	35121035	1	SEEGER RING	
18	52470118	1	SLEEVE	
19	52470117	1	SLIDING SLEEVE	
20	F0812811000	2	ROLLER CAGE K 35X40/17	
21	F0801299100	2	SAFETY RING	
22	52478615	1	DOUBLE GEAR	
23	56378616	1	RING NUT	
24	56170760	1	RETAINING WASHER SP.1,0	
24	56174692	1	RETAINING WASHER SP.0,8	
24	56174693	1	RETAINING WASHER SP.0,9	
24	56174694	1	RETAINING WASHER SP.1,1	
24	56174695	1	RETAINING WASHER SP.1,2	
24	56175367	1	RETAINING WASHER SP.1,3	
25	52478617	1	GEAR	
26	37221320	2	BEARING	
27	35111080	1	SEEGER RING	
28	56370089	1	RING	
28	56370127	1	RING	

SERIAL

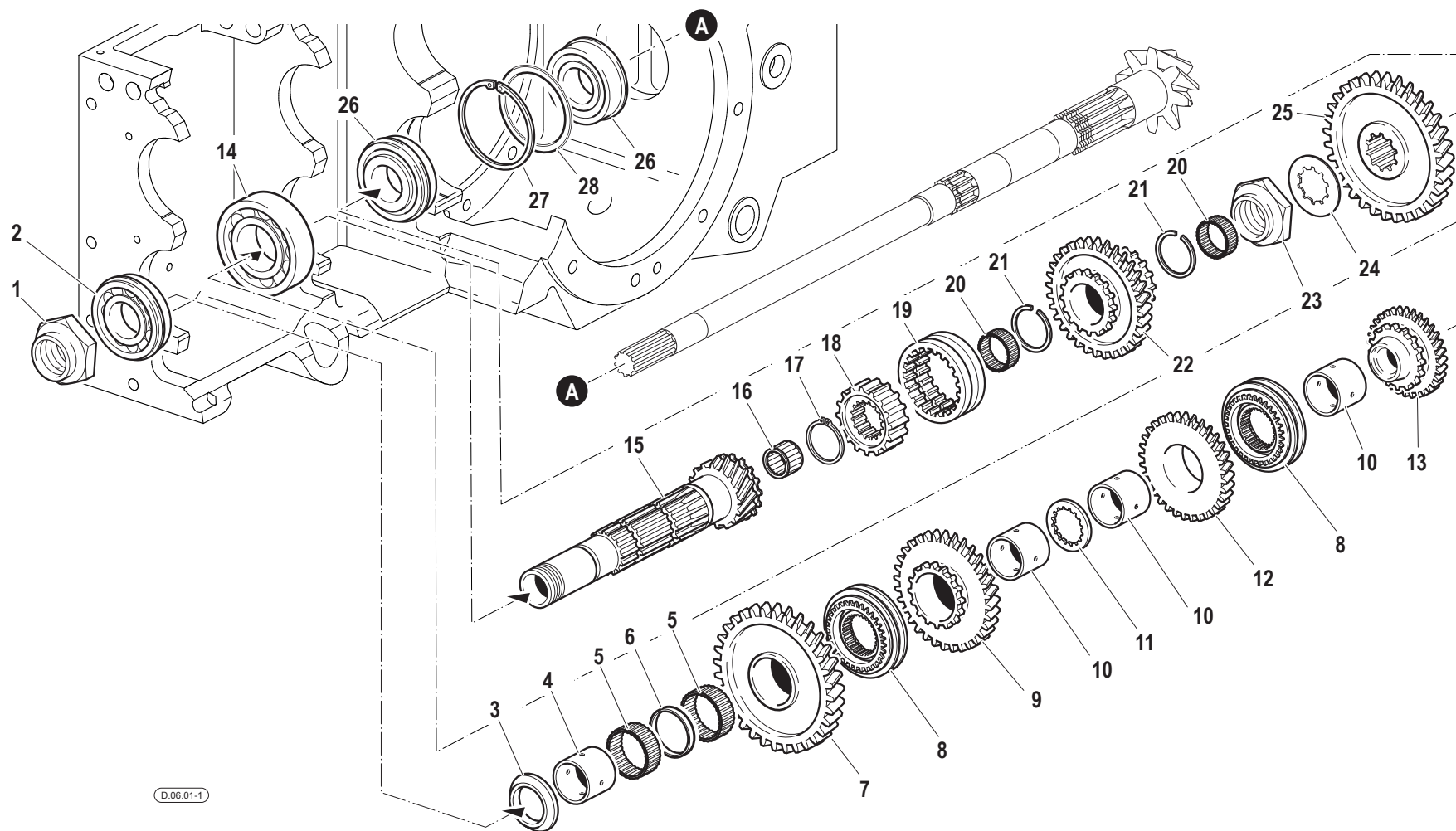
GEARS TRANSMISSION SHAFT / GEARS

Version: RS-M, RS-R, AR-M, AR-R

CODE REV

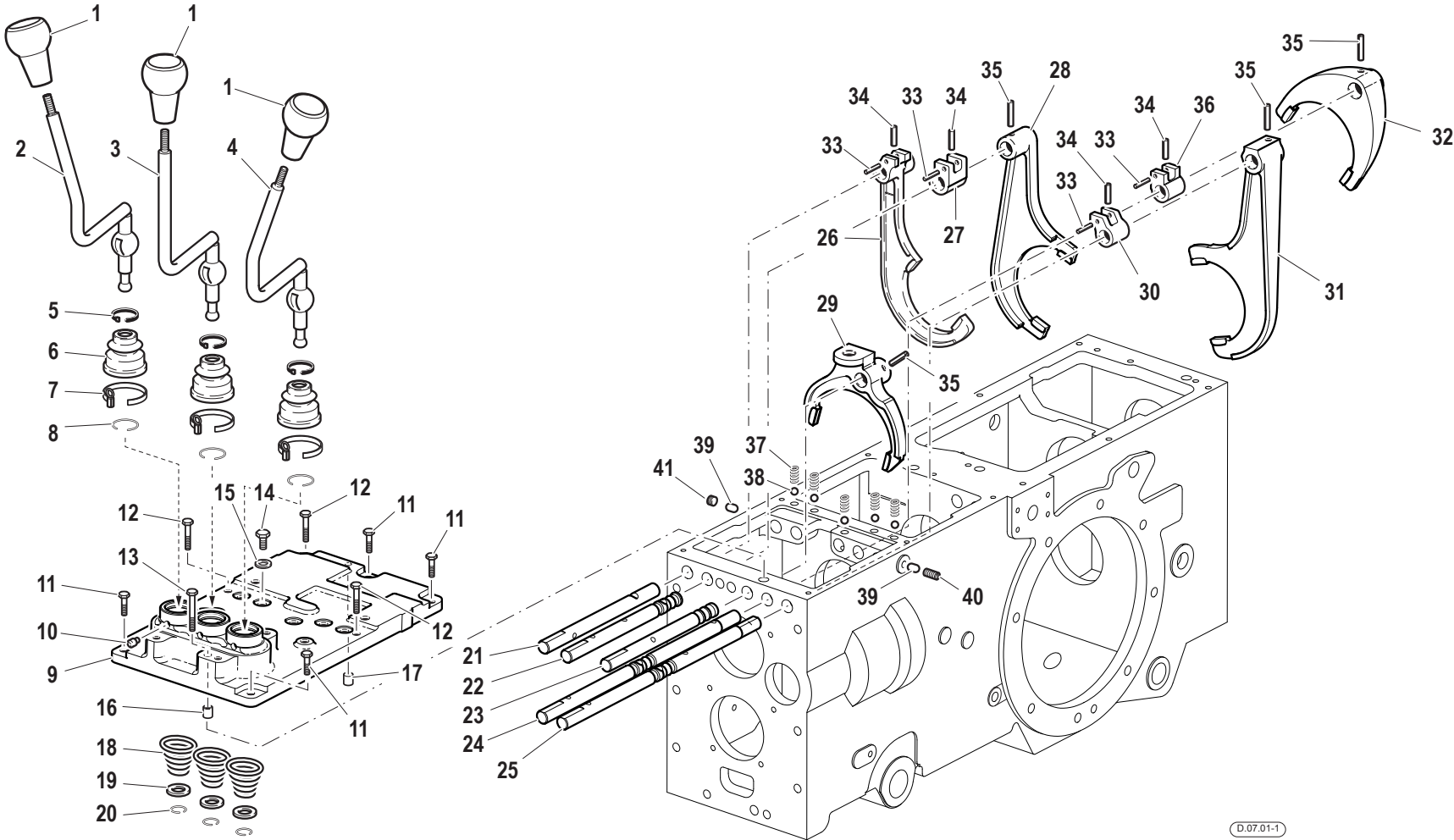
D.06.01_1_42932

GEARS TRANSMISSION SHAFT / GEARS



Pos.	Code	Q.ty	Description	Notes
28	56370128	1	RING	
28	56370830	1	RING	

GEARBOX CONTROLS



Pos.	Code	Q.ty	Description	Notes
1	58174192	3	HANDLE	
2	59074185	1	COMMAND LEVER	
3	59074387	1	COMMAND LEVER	
4	59078634	1	COMMAND LEVER	
5	F0817640003	3	CLAMP 4,8x180	
6	55170053	3	CAP	
7	58170054	3	COLLAR	
8	58070169	3	LOCKRING	
9	51179545	1	COVER	
10	56370018	6	HINGE PIN	
11	31112146	4	SCREW TE M8X22 UNI 5739 8G	
12	31112152	3	SCREW TE M8X30 UNI 5739 8G	
13	F0862944000	1	SCREW M8X60 UNI 5737	
14	56370186	5	PLUG	
15	F0843771000	5	COPPER WASHER 10,0x16/1	
16	56170017	1	PIN	
17	56570016	1	CYLINDRICAL PLUG	
18	58070164	3	SPRING	
19	56370172	3	SPACER	
20	58070168	3	LOCKRING	
21	56371065	1	PULL ROD	
22	56370177	1	PULL ROD	
23	56370165	1	ROD	
24	56378622	1	PULL ROD	
25	56378630	1	PULL ROD	
26	52274299	1	SELECTOR FORK	
27	52375896	1	CATCH	
28	52272112	1	SELECTOR FORK	
29	52273364	1	SELECTOR FORK	
30	52378629	1	CATCH	
31	51278623	1	SELECTOR FORK	
32	51270771	1	SELECTOR FORK	
33	F0851156000	4	PIN 4X30 DIN 1481 CL:C72	
34	F0851262000	4	PIN 6X26 DIN 7343 CL:C72	

SERIAL
START
913995

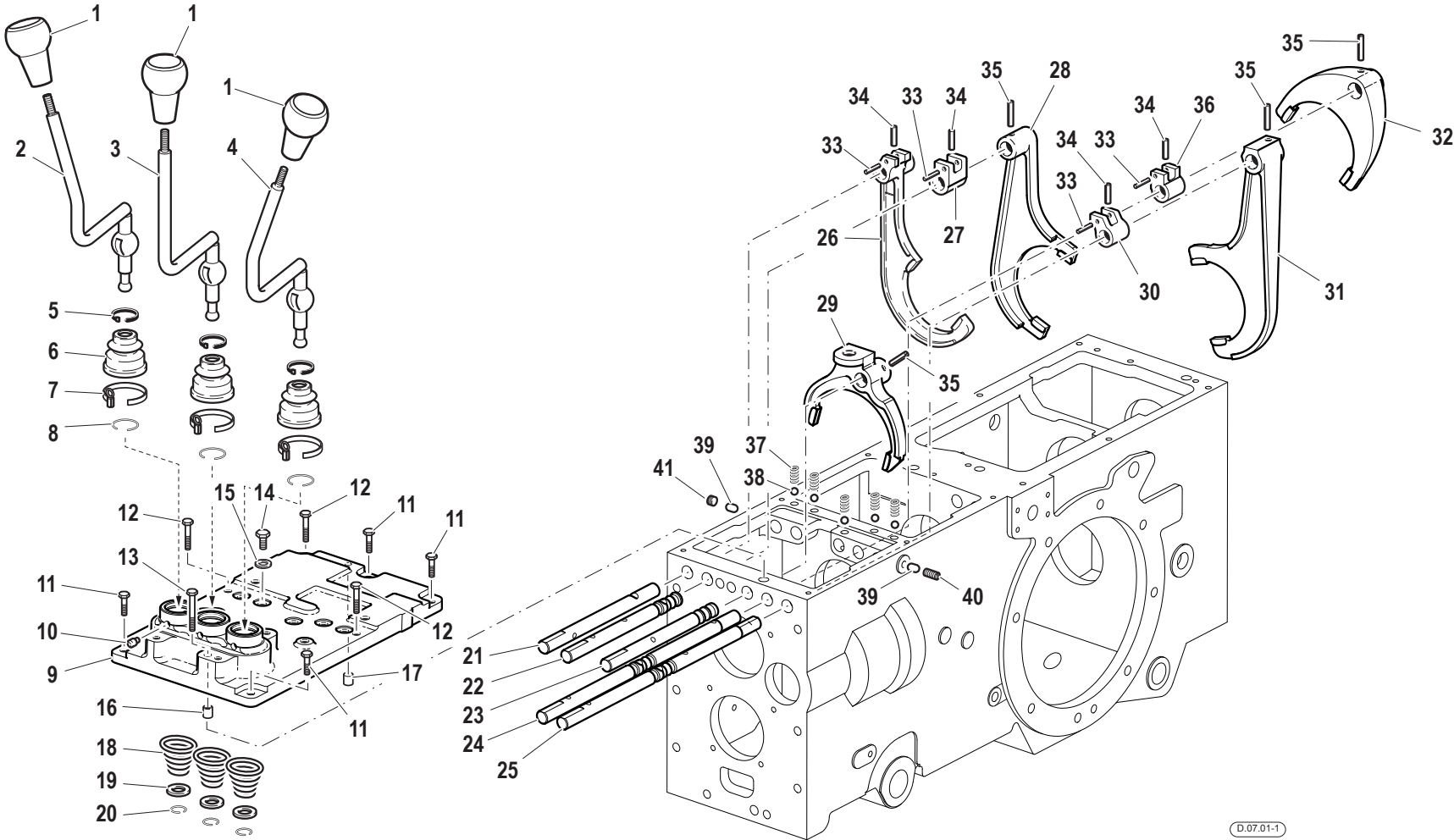
GEARBOX CONTROLS

CODE REV

D.07.01_1_39618

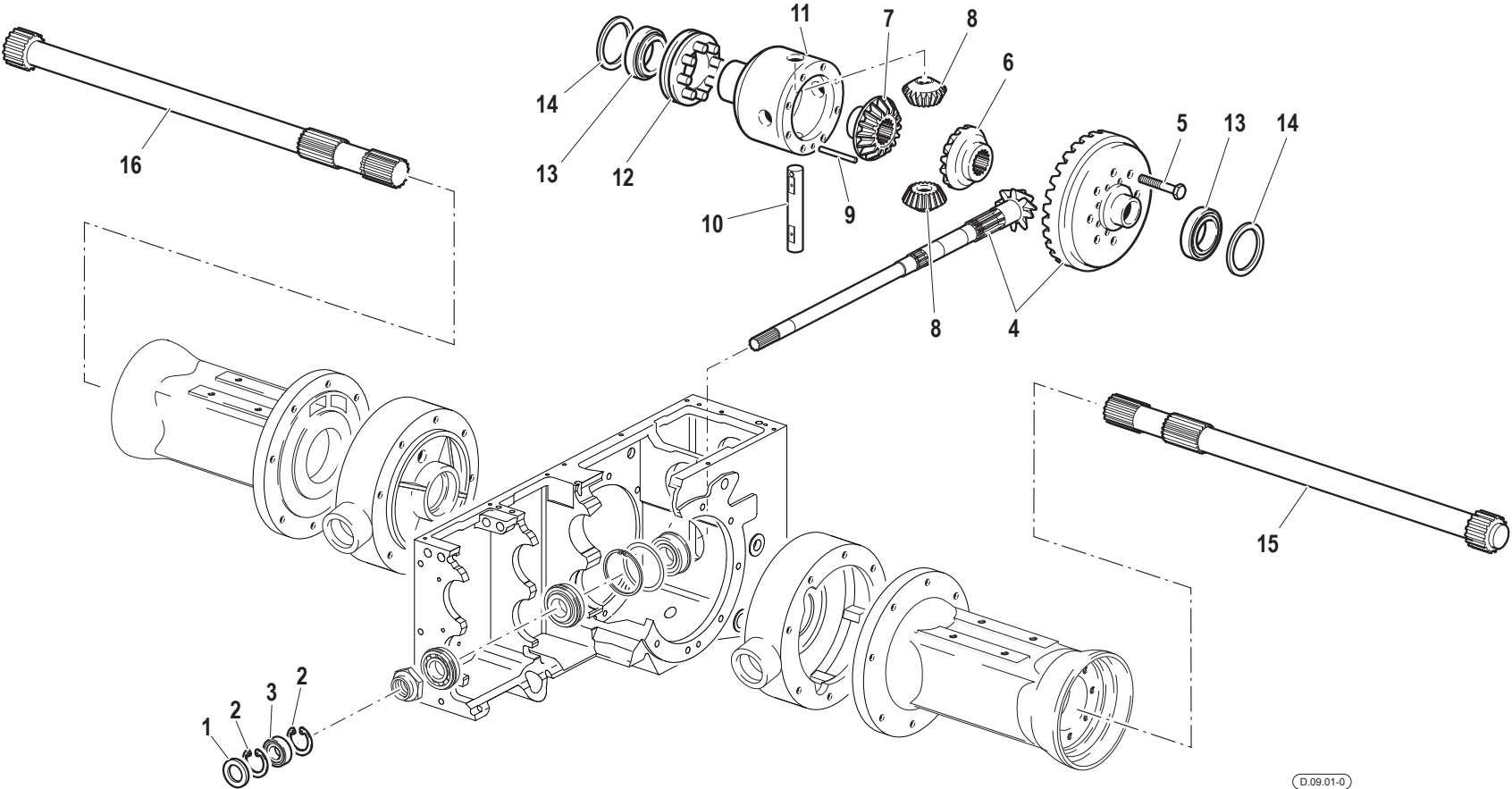
GEARBOX CONTROLS

SERIAL START 913995

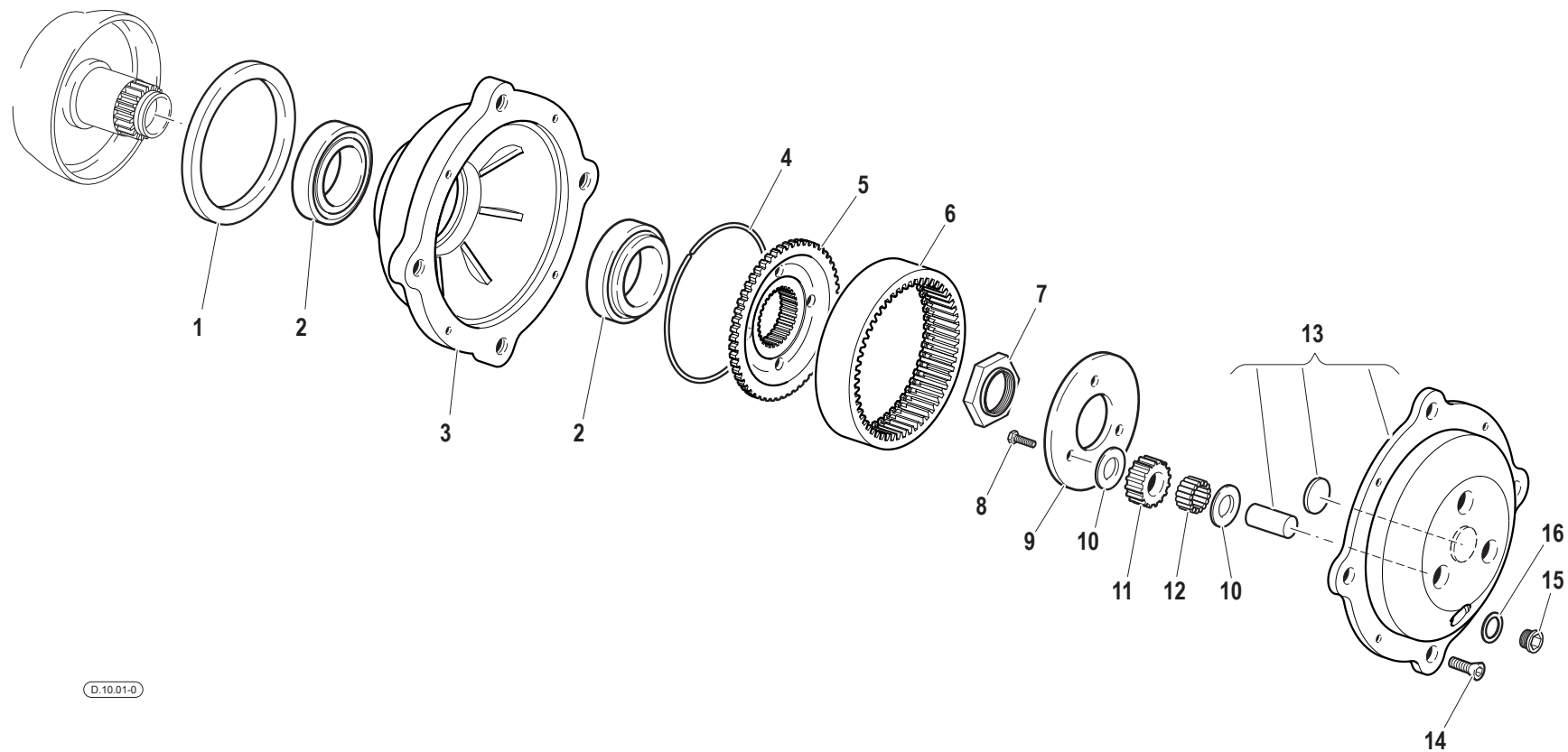


Pos.	Code	Q.ty	Description	Notes
35	F0851267050	3	PIN 6X30 DIN 7343 CL:C72	
36	52378628	1	CATCH	
37	58070741	5	SPRING	
38	F0847434000	5	BALL	
39	56570125	2	TOGGLE	
40	F0863183000	1	SCREW M10X16 UNI 5923	
41	F0852578060	1	CONICAL PLUG	

REAR TRANSMISSION



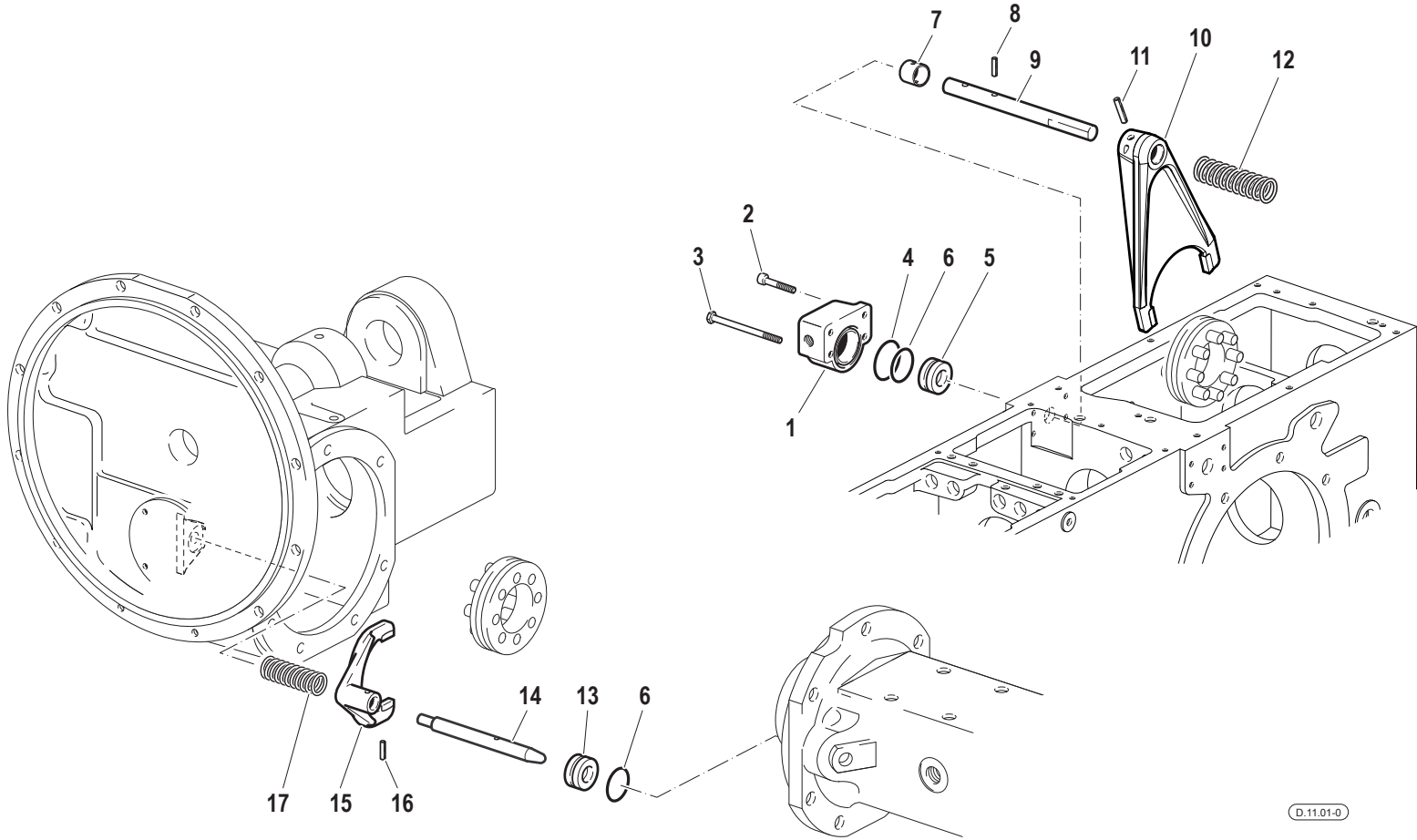
Pos.	Code	Q.ty	Description	Notes
1	F0802104000	1	OIL SEAL 25x62/10	
2	35111062	2	SEEGER RING	
3	37111254	1	BEARING	
4	59378814	1	BEVEL GEAR	
5	F0863311250	8	SCREW M10x1,5x32	
6	52470062	1	PINION	
7	52470061	1	PINION	
8	52470067	2	DIFFERENTIAL PINION	
9	56371037	1	PIN	
10	56471036	1	PIN	
11	51371035	1	HOUSING	
12	59070065	1	SLEEVE	
13	F0812956000	2	BEARING 32010 X/Q	
14	56370089	1	RING	
14	56370127	1	RING	
14	56370128	1	RING	
14	56370830	1	RING	
15	52470106	1	REAR AXLE SHAFT	
16	52470105	1	REAR AXLE SHAFT	



D.10.01-0

Pos.	Code	Q.ty	Description	Notes
1	F0802700150	1	SEAL 125x150x12	
2	F0812975250	2	CYL. ROLLER BEARING 32013X	
3	51172005	1	HUB	
4	58070071	1	RING	
5	52370075	1	FLANGE	
6	52370072	1	CROWN WHEEL	
7	56370079	1	RING NUT	
8	F0862478070	3	SCREW M8x16	
9	56170074	1	ADJUSTING RING	
10	56370076	6	SHIM	
11	52470087	3	PLANETARY GEAR	
12	58170070	3	ROLLER BEARING	
13	59070094	1	COVER	
14	F0862655000	4	SCREW M8X25-5933	
15	56370081	1	PLUG	
16	F0844273090	1	GASKET 22X28X1,5 CU 99,5	

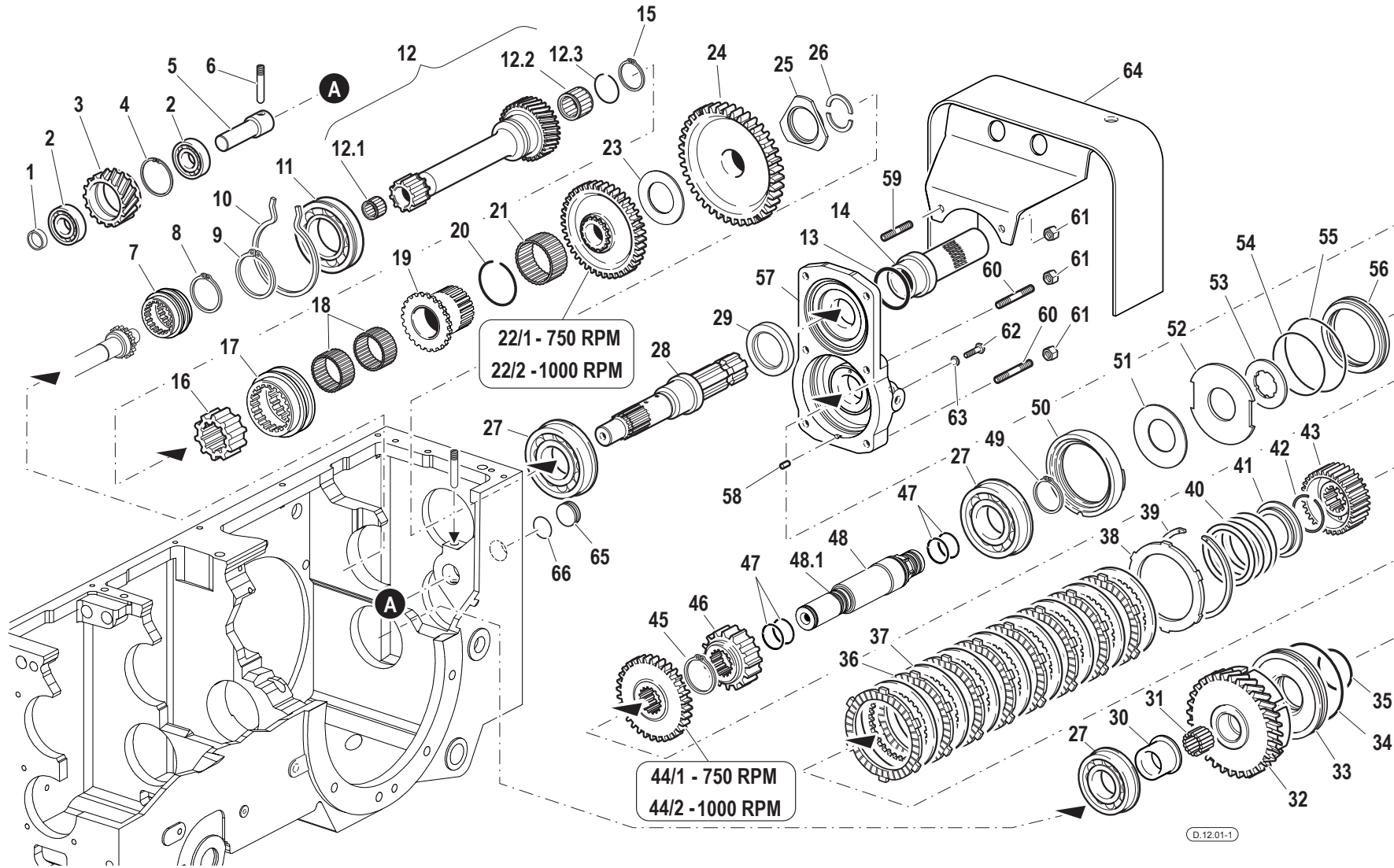
DIFFERENTIAL LOCK



Pos.	Code	Q.ty	Description	Notes
1	52374641	1	SMALL BLOCK	
2	31152085	2	SCREW TCEI M8X25 UNI 5931	
3	31112161	2	SCREW TE M8X50 UNI 5737 8G	
4	F0803209000	1	O-RING	
5	56370187	1	PISTON	
6	58170195	2	GASKET	
7	56176127	1	BUSHING	
8	34213054	1	ROLL PIN	
9	56376256	1	LOCKING DEVICE	
10	51278573	1	FORK	
11	F0851267050	1	PIN 6X30 DIN 7343 CL:C72	
12	58070198	1	SPRING	
13	56370583	1	PISTON	
14	56370582	1	LOCKING DEVICE	
15	51270203	1	FORK	
16	F0851260000	1	PIN	
17	58070205	1	SPRING	

POWER TAKE-OFF

SERIAL START 911149



Pos.	Code	Q.ty	Description	Notes
1	56171572	1	SPACER	
2	F0812637000	2	BEARING 6204 (20x47x14)	
3	52476868	1	INTERMEDIATE WHEEL	
4	35111047	1	SEEGER RING	
5	56174108	1	GEAR PIN	
6	56370178	1	SCREW	
7	52470298	1	SLEEVE	
8	35121040	1	SEEGER RING	
9	F0801353000	1	SEEGER RING	
10	58170130	1	CIRCLIP	
11	F0812957010	1	BEARING 6210-N (50/90/20)	
12	59900376	1	PTO SHAFT	
12.1	F0812599086	1	BUSHING HK1816	
12.2	F0812689050	1	ROLLER CAGE K 25X33/20	
12.3	F0801248000	1	SAFETY RING	
13	P470433000000	1	PROTECTIVE RING	
14	P470330000000	1	GUARD	
15	F0801241010	1	SEEGER RING	
16	52476068	1	SLEEVE	
17	52476062	1	SHIFTING CLAW	
18	F0812784000	2	ROLLER CAGE K 32X37/27 H	
19	52478568	1	SHIFTING CLAW	
20	37931413	1	SAFETY RING	
21	F0812951300	1	ROLLER CAGE K 50X55/27 H	
22/1	52476065	1	DRIVEN GEAR	
22/2	52476066	1	DRIVEN GEAR	
23	56475568	1	SHIM	
24	52475991	1	DRIVEN GEAR	
25	56478567	1	SHIM	
26	56378566	2	HALF RING	
27	F0812918010	3	BEARING 6308-NR (40x90x23)	
28	52478565	1	PTO SHAFT	
29	F0802228005	1	SEAL 48x65/10	
30	56470987	1	BUSHING	

SERIAL
START
911149

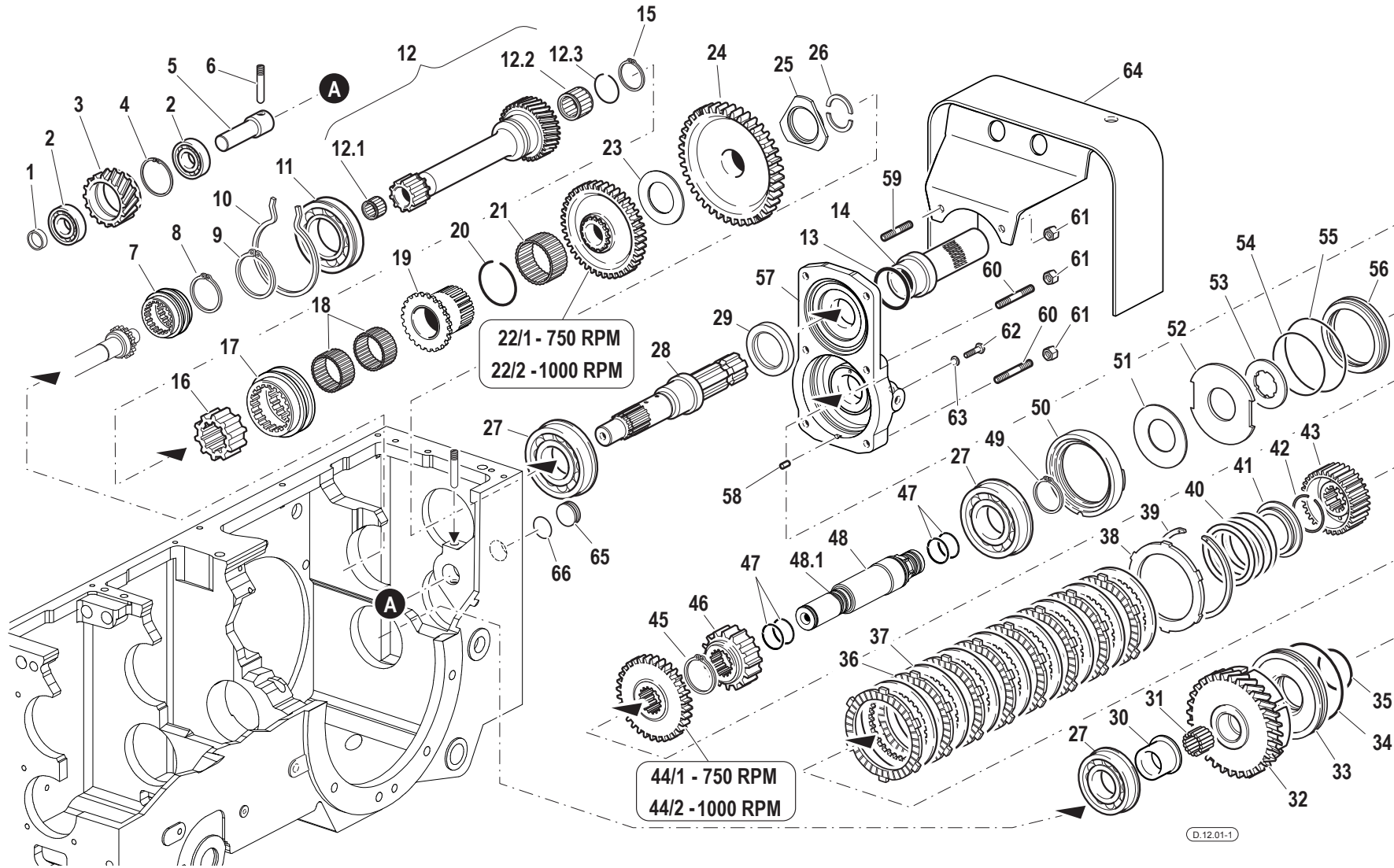
POWER TAKE-OFF

CODE REV

D.12.01_1_40279

POWER TAKE-OFF

SERIAL START 911149



Pos.	Code	Q.ty	Description	Notes
31	F0812736010	1	ROLLER CAGE K 30X35/20 H	
32	52475562	1	CLUTCH HOUSING	
33	53273886	1	PISTON	
34	58172400	1	GASKET	
35	58172402	1	GASKET	
36	58172447	8	DISC	
37	58172448	8	DISC	
38	52372292	1	RING	
39	58072389	1	CIRCLIP	
40	58074092	1	RESTORING SPRING	
41	56372282	1	RING	
42	58072399	1	SAFETY RING	
43	52475565	1	DISC HUB	
44/1	52475994	1	GEAR	
44/2	52475996	1	GEAR	
45	F0801282050	1	SEEGER RING	
46	52475992	1	GEAR	
47	58072398	4	SEAL	
48	59276076	1	SHAFT	
48.1	F0852578060	2	CONICAL PLUG	
49	F0801297050	1	SEEGER RING	
50	56475516	1	SPACER	
51	58073889	1	CUP SPRING	
52	56475517	1	BRAKE DISC	
52	56475518	1	CLUTCH DISC	
52	56473890	1	BRAKE DISC	
52	56474713	1	BRAKE DISC	
52	56474714	1	BRAKE DISC	
53	56475844	1	CLUTCH DISC	
54	38116317	1	RING	
55	38118720	1	O-RING	
56	53273891	1	PISTON	
57	59377433	1	COVER	
58	F0851226000	1	PIN 6X12 UNI 1707 CL:C20	

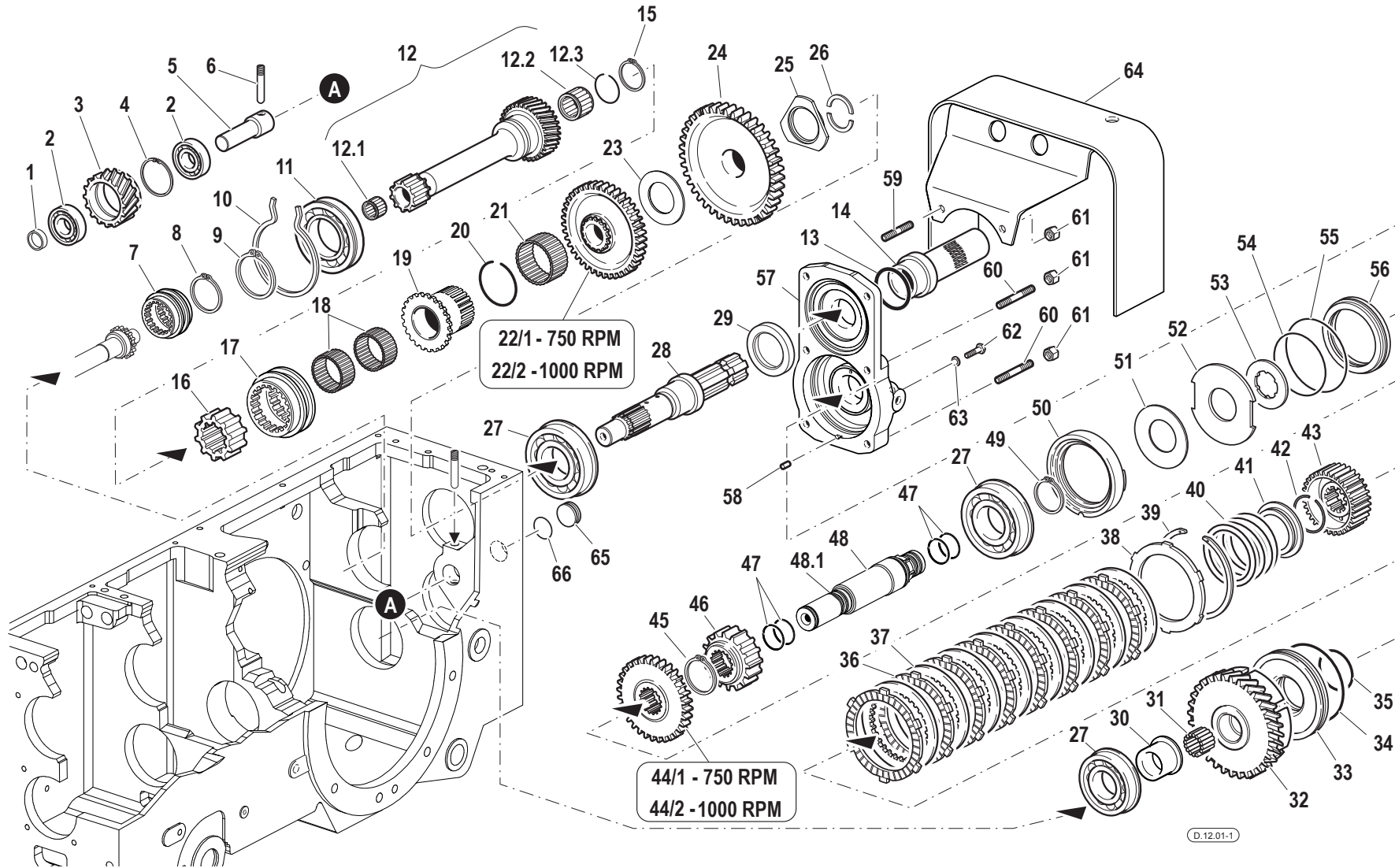
SERIAL
START
911149

POWER TAKE-OFF

CODE REV

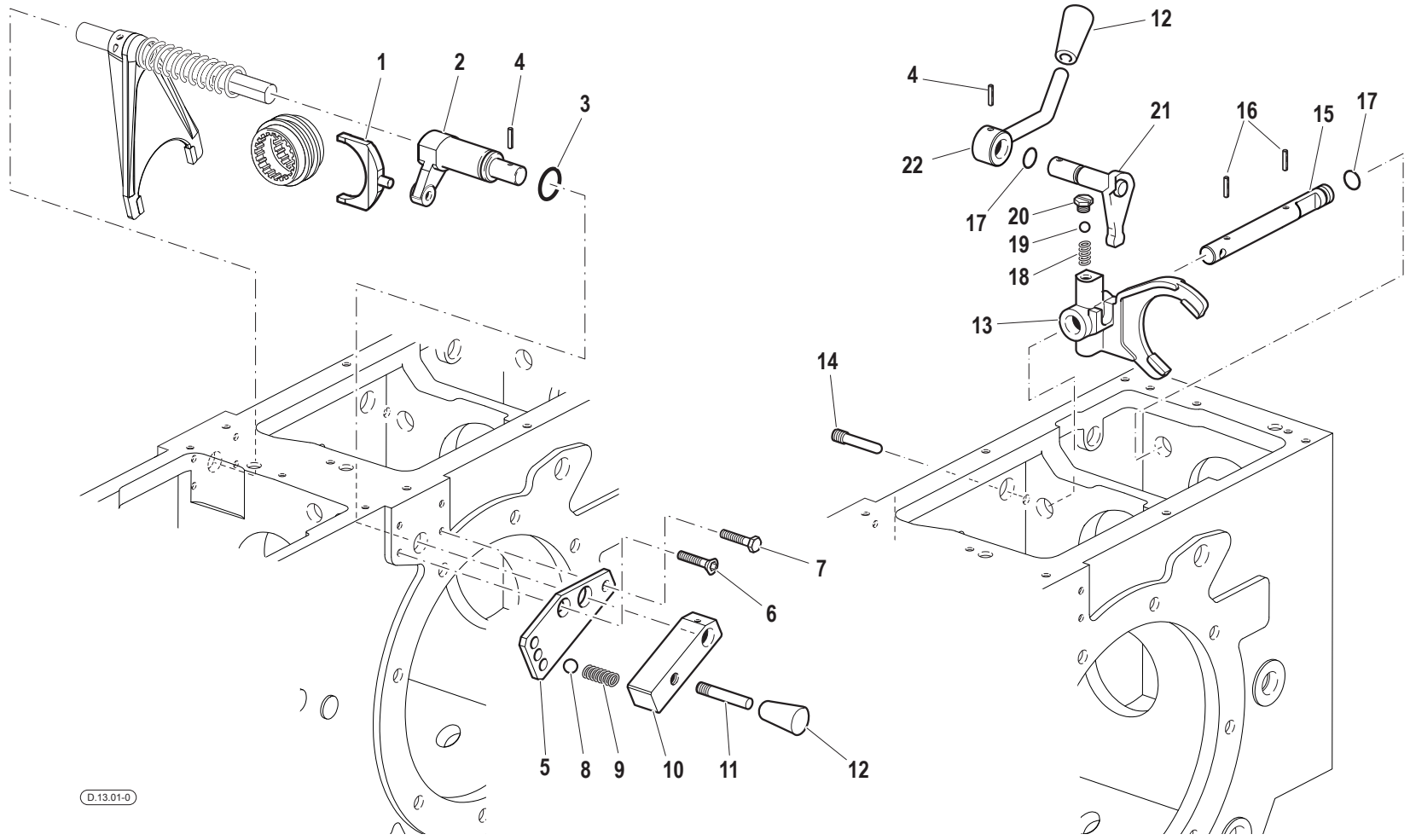
D.12.01_1_40279

POWER TAKE-OFF



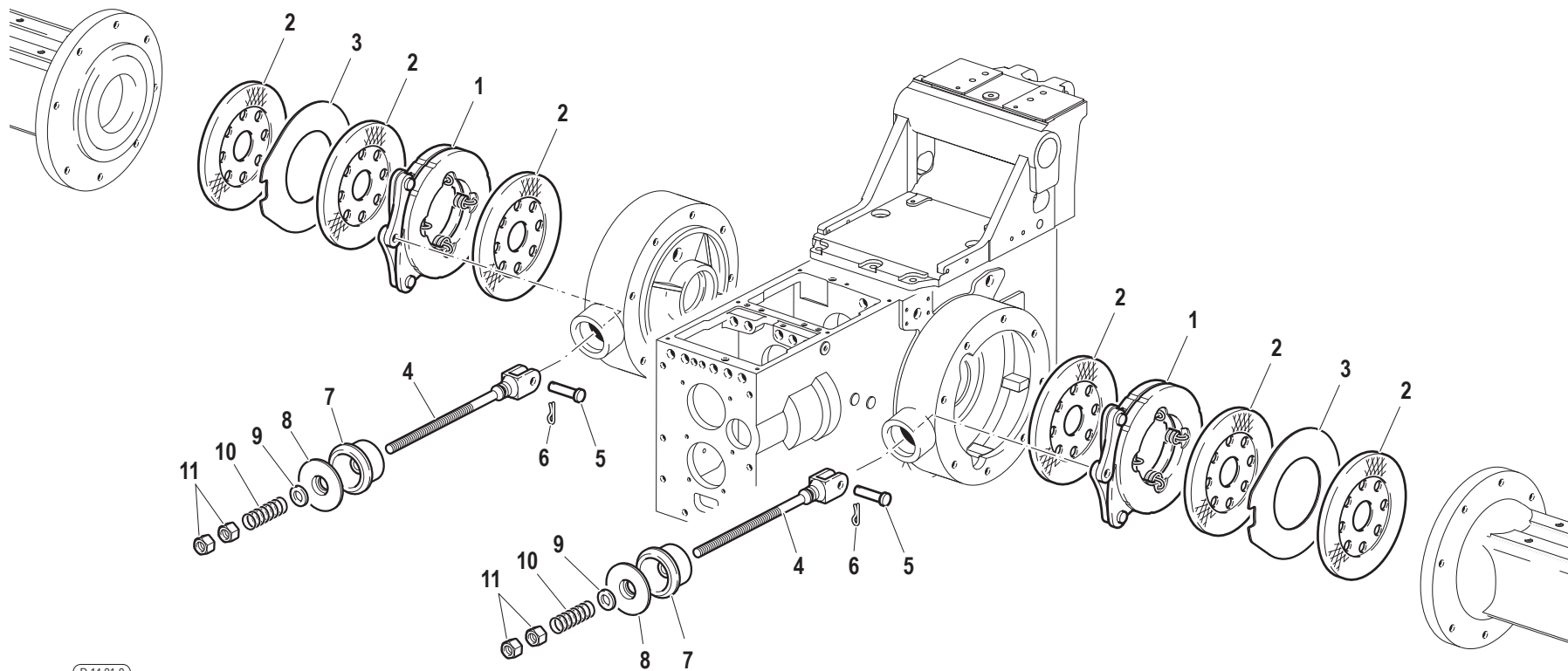
Pos.	Code	Q.ty	Description	Notes
59	F0838154010	2	STUD BOLT M8X25 UNI 5911 8.8	
60	31312089	4	STUD BOLT M8x52x14x18	
61	31211080	6	NUT M8	
62	F0862448100	1	SCREW M8X10 UNI 5740	
63	F0843641000	1	COPPER WASHER 8x14/1,5	
64	59074993	1	P.T.O. PROTECTION	
65	56074313	1	PLUG	
66	F0803199010	1	O-RING	

POWER TAKE-OFF CONTROLS

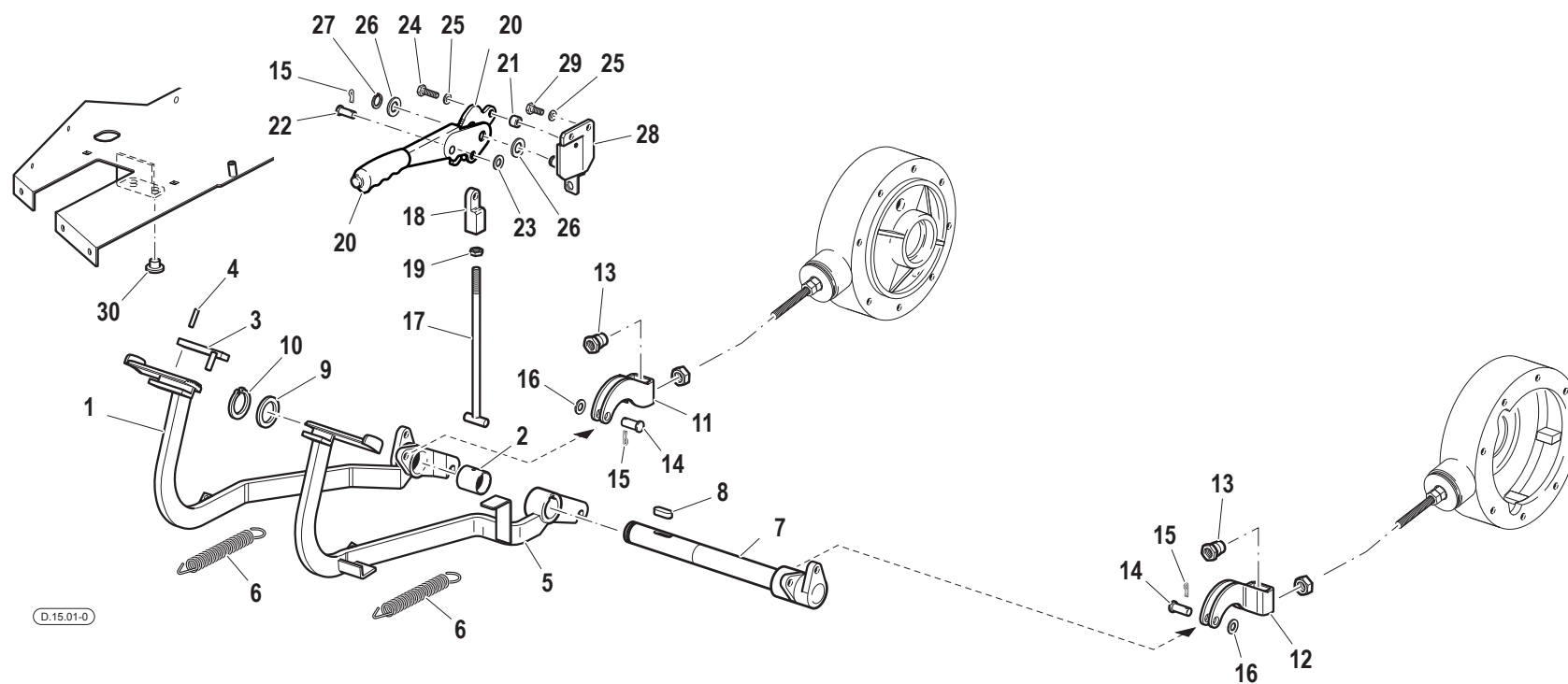


D.13.01-0

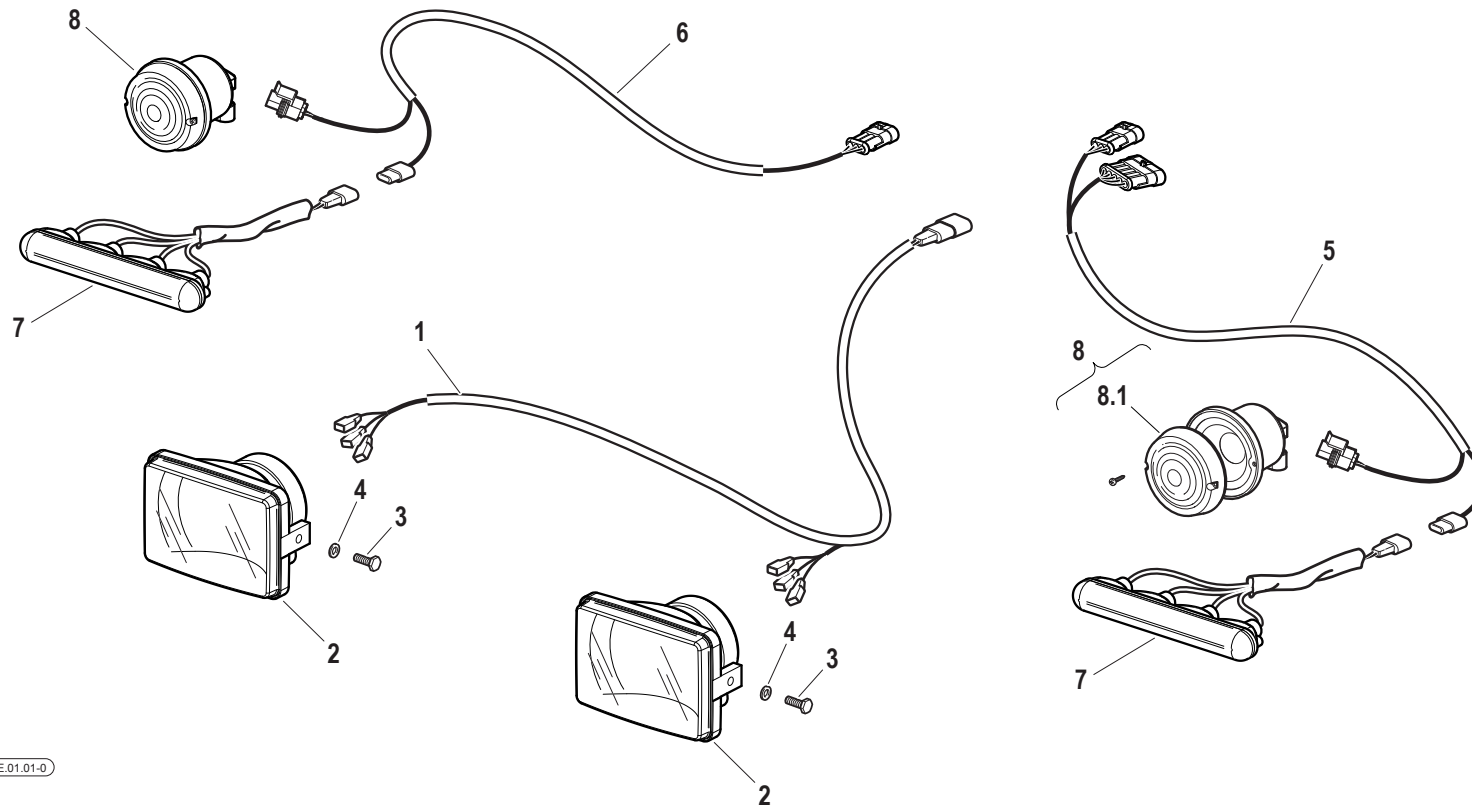
Pos.	Code	Q.ty	Description	Notes
1	56470299	1	SELECTOR FORK	
2	52370152	1	LEVER	
3	38112200	1	O-RING	
4	34211054	1	ROLL PIN	
5	56374430	1	PLATE	
6	31132566	1	SCREW TSVEI M8X20 UNI 5933	
7	31112150	1	SCREW TE M8X20 UNI 5739 8G	
8	F0847462000	1	BALL RB-11.112	
9	F0831047000	1	SPRING	
10	56174431	1	LEVER	
11	56170447	1	TIP	
12	F0828468050	2	GRIP	
13	51275570	1	SELECTOR FORK	
14	56370178	1	SCREW	
15	56375571	1	ROD	
16	F0851180000	2	PIN 5X26 DIN 1481 CL:C72	
17	38111078	2	O-RING	
18	58070741	2	SPRING	
19	F0847434000	2	BALL	
20	56076055	1	PLUG	
21	59075572	1	LEVER	
22	59078865	1	LEVER	



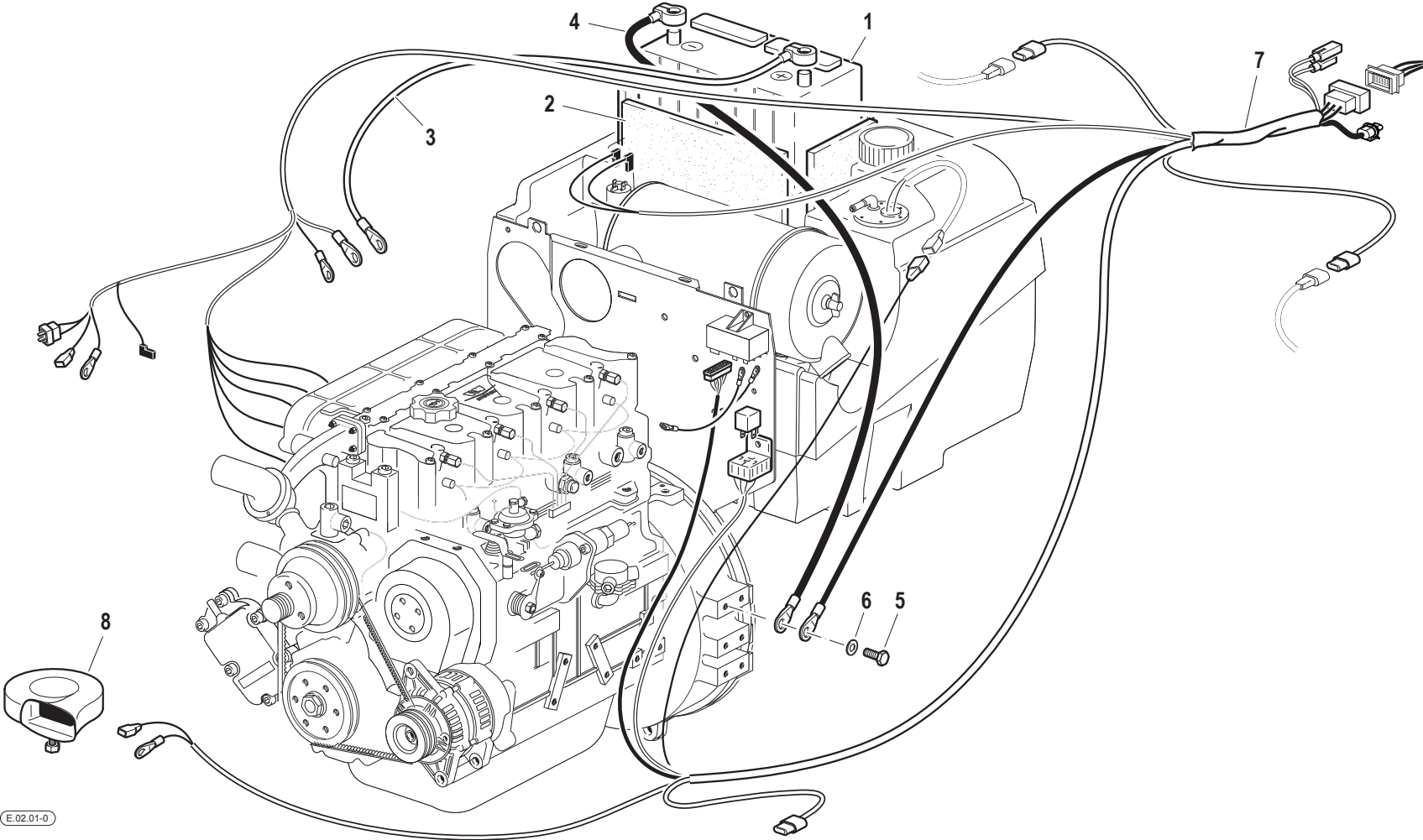
Pos.	Code	Q.ty	Description	Notes
1	58170045	2	BRAKE	
2	58170703	6	BRAKE DISC	
3	58171019	2	SHIM	
4	56370038	2	ROD	
5	56470231	2	PIN	
6	F0810510000	2	SPLIT PIN A2,0X20 UNI 1336	
7	55170047	2	BOOT	
8	56170043	2	COVER	
9	31411130	2	WASHER 13x24	
10	58070366	2	RETAINING SPRING	
11	31231120	4	NUT M12	



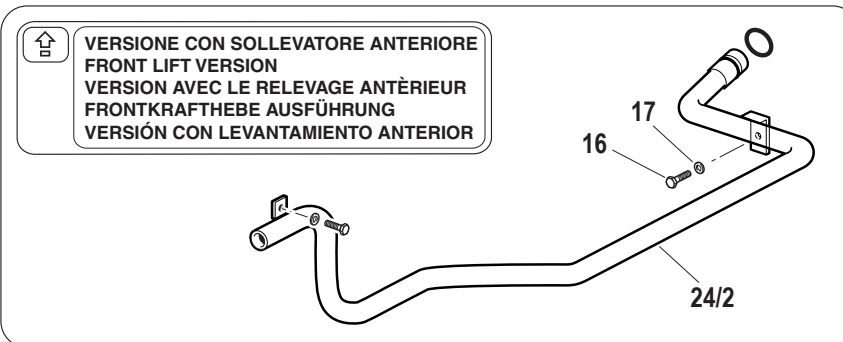
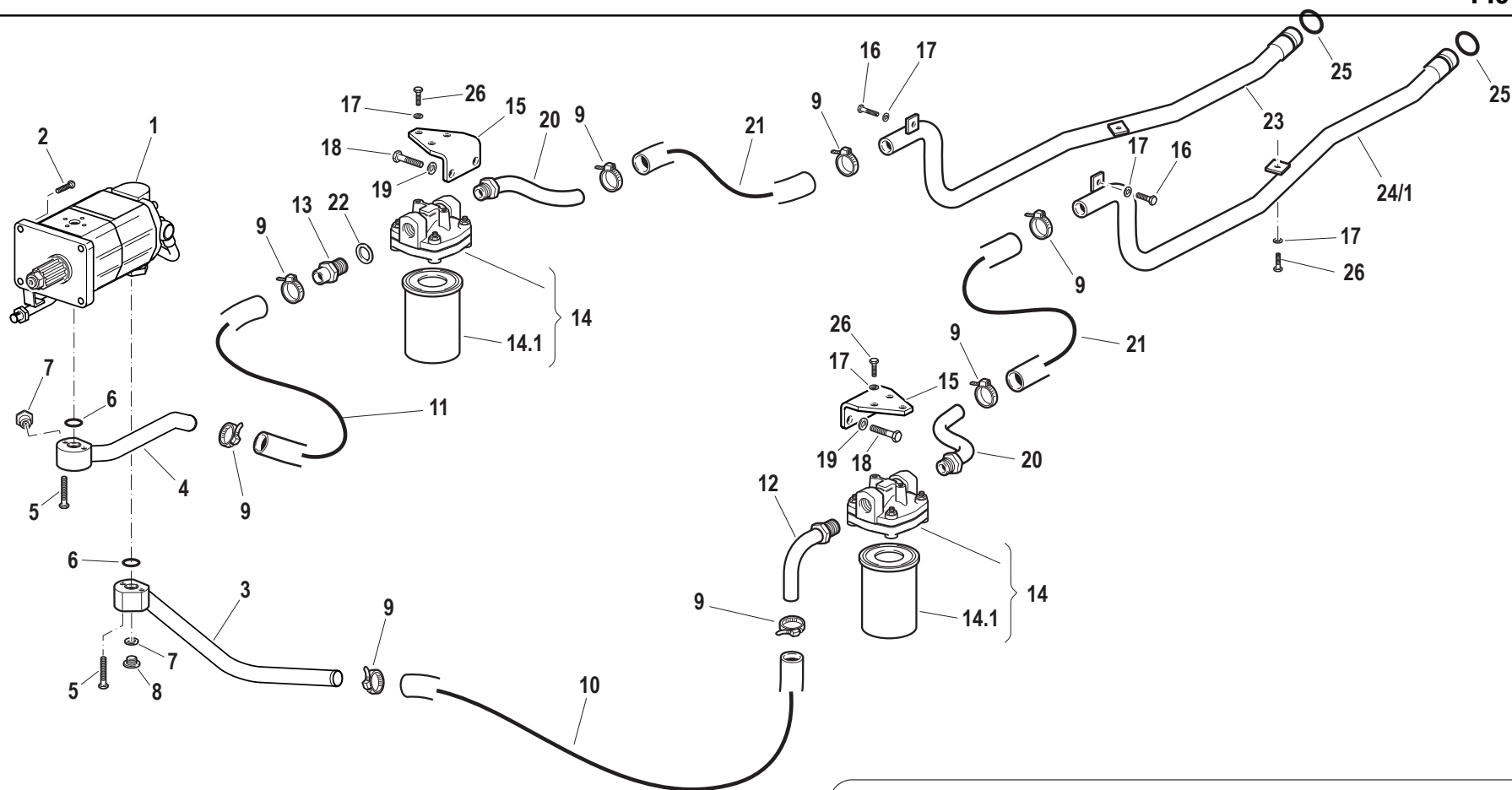
Pos.	Code	Q.ty	Description	Notes
1	59070325	1	BRAKE PEDAL	
2	58170026	1	BUSHING	
3	59070398	1	SMALL PLATE	
4	F0851262000	1	PIN 6X26 DIN 7343 CL:C72	
5	59070323	1	BRAKE PEDAL	
6	58070790	2	RESTORING SPRING	
7	59070333	1	SHAFT	
8	34321066	1	KEY A10X8X30 UNI 6604	
9	56170367	1	SHIM	
10	F0801241010	1	SEEGER RING	
11	56170795	1	RIGHT YOKE	
12	56170796	1	LEFT BRACKET	
13	52373177	2	NUT	
14	56470797	2	PIN	
15	F0810510000	3	SPLIT PIN A2,0X20 UNI 1336	
16	31411130	2	WASHER 13x24	
17	52375215	1	HANDBRAKE TIE-ROD	
18	56371721	1	SMALL BLOCK	
19	F0814627000	1	NUT M10	
20	58178960	1	HANDBRAKE LEVER	
21	56171936	1	SPACER	
22	56470365	1	PIN	
23	31411105	1	WASHER 10,5x21	
24	31112151	1	SCREW TE M8X25 UNI 5739 8G	
25	F0843643060	3	WASHER 8	
26	31411150	2	WASHER 15x28	
27	F0801095000	1	SEEGER RING	
28	59074459	1	RETAINER	
29	31112147	2	SCREW TE M8X18 UNI 5739 8G	
30	F0822537050	2	BUFFER	



Pos.	Code	Q.ty	Description	Notes
1	58074904	1	CABLE	
2	58179010	2	OPTICAL GROUP	
3	31112082	4	SCREW TE M6X12 UNI 5739 8G	
4	31411064	4	WASHER 6,4x12,5	
5	58079395	1	CABLE	
6	58079394	1	CABLE	
7	58176406	2	INDICATOR	
8	58179413	2	POSITION LIGHT	
8.1	59901086	2	VETRO BIANCO FARO ANT.03438001	

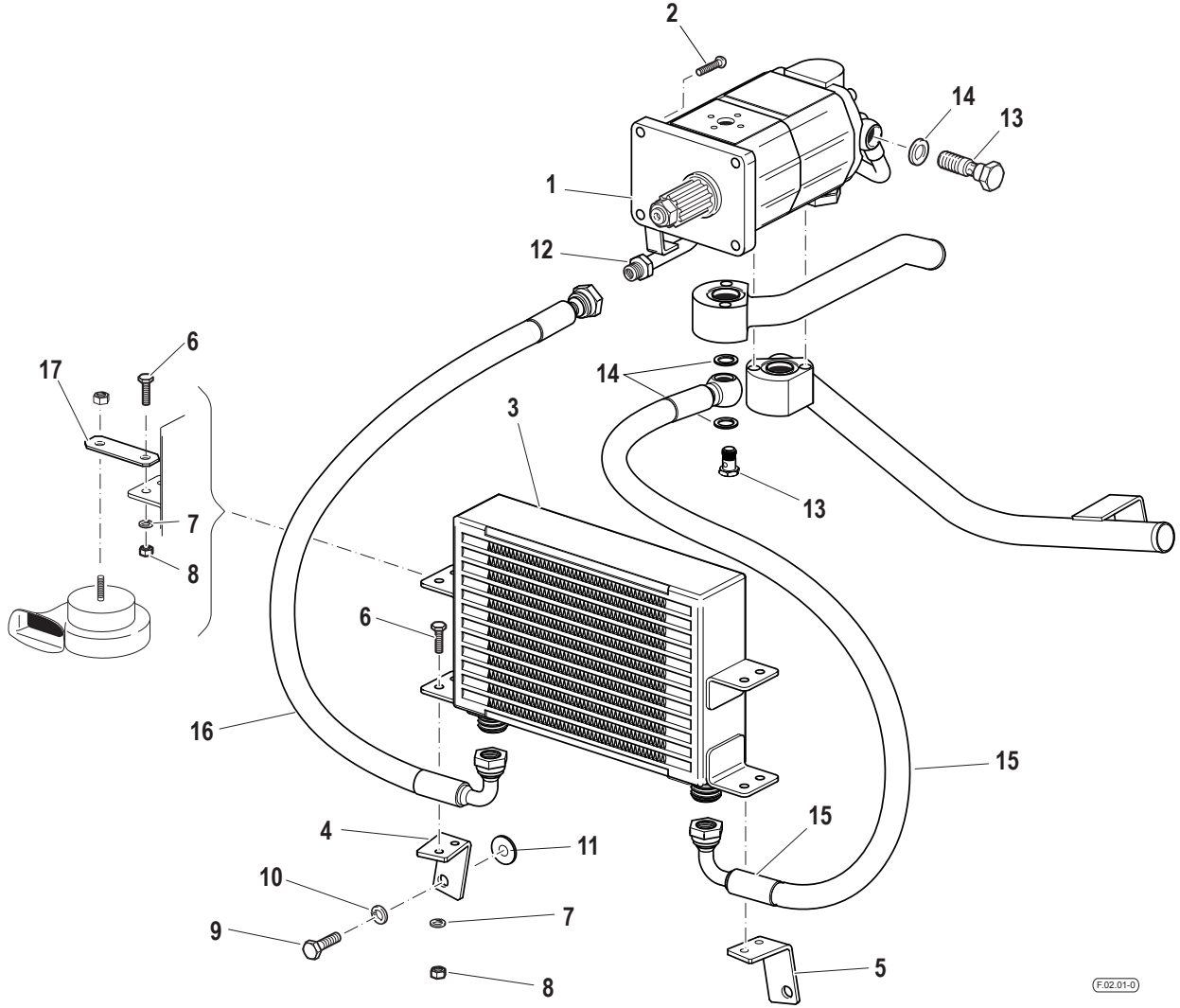


Pos.	Code	Q.ty	Description	Notes
1	F0825480100	1	BATTERY	
2	F0190018909	1	LINING	
3	58071313	1	CABLE	
4	58072081	1	CABLE	
5	31112210	1	SCREW TE M10X20 UNI 5739	
6	F0843755000	1	WASHER 10	
7	58079755	1	CABLE	
8	F0825417000	1	HORN	

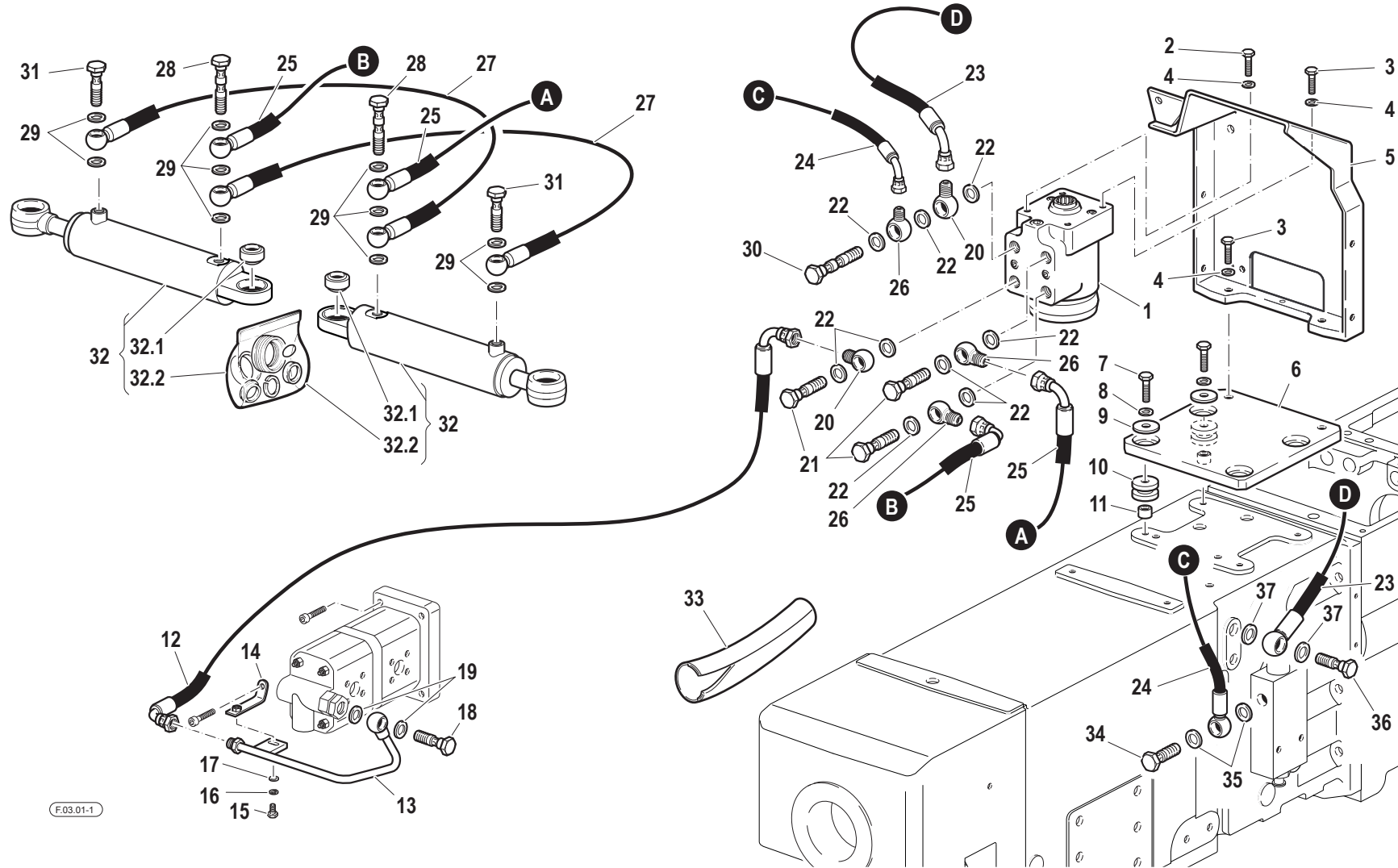


Pos.	Code	Q.ty	Description	Notes
1	58179463	1	LIFT PUMP	
2	31152083	4	SCREW TCEI M8X30 UNI 5931	
3	59079479	1	SUCTION PIPE	
4	59076211	1	SUCTION PIPE	
5	F0862796000	4	SCREW M8X40 UNI 5931	
6	38112200	2	O-RING	
7	F0852538050	1	PLUG	
8	F0843907000	1	COPPER WASHER 13,66x19/1,5	
9	F0817503000	8	CLAMP 037,6-906R	
10	58173505	1	FLEXIBLE HOSE	
11	58176337	1	SUCTION PIPE	
12	59076213	1	PIPE	
13	56170350	1	PIPE FITTING	
14	58175014	2	FILTER	
14.1	F0825718020	2	FILTER INSERT	
15	56174725	2	OIL FILTER BRACKET	
16	31111151	4	SCREW TE M8X16 UNI 5739 8G	
17	F0843643060	12	WASHER 8	
18	31112210	4	SCREW TE M10X20 UNI 5739	
19	F0843755000	4	WASHER 10	
20	59076212	2	PIPE	
21	58176336	2	SUCTION PIPE	
22	F0824185000	1	COPPER WASHER 26X34X1,5	
23	59077637	1	SUCTION PIPE	
24	59077634	1	SUCTION PIPE	
25	38113142	2	O-RING	
26	31112150	4	SCREW TE M8X20 UNI 5739 8G	

HYDR. SYSTEM : HEAT EXCHANGER



Pos.	Code	Q.ty	Description	Notes
1	58179463	1	LIFT PUMP	
2	31152083	4	SCREW TCEI M8X30 UNI 5931	
3	58177182	1	OIL EXCHANGER	
4	56174987	1	RIGHT YOKE	
5	56174988	1	LEFT BRACKET	
6	31112090	4	SCREW TE M6X16 UNI 5739 8G	
7	F0843570000	4	WASHER 6	
8	31211060	4	HEXAGONAL NUT M8	
9	31112210	2	SCREW TE M10X20 UNI 5739	
10	F0843755000	2	WASHER 10	
11	F0843815000	2	WASHER D.24x10,5/4	
12	59079478	1	PRESSURE PIPE	
13	56172547	1	THREADED TERMINAL END	
14	F0824113000	2	COPPER WASHER 18X24/1,5	
15	58076333	1	FLEXIBLE HOSE	
16	58076334	1	FLEXIBLE HOSE	
17	56175294	1	BRACKET	



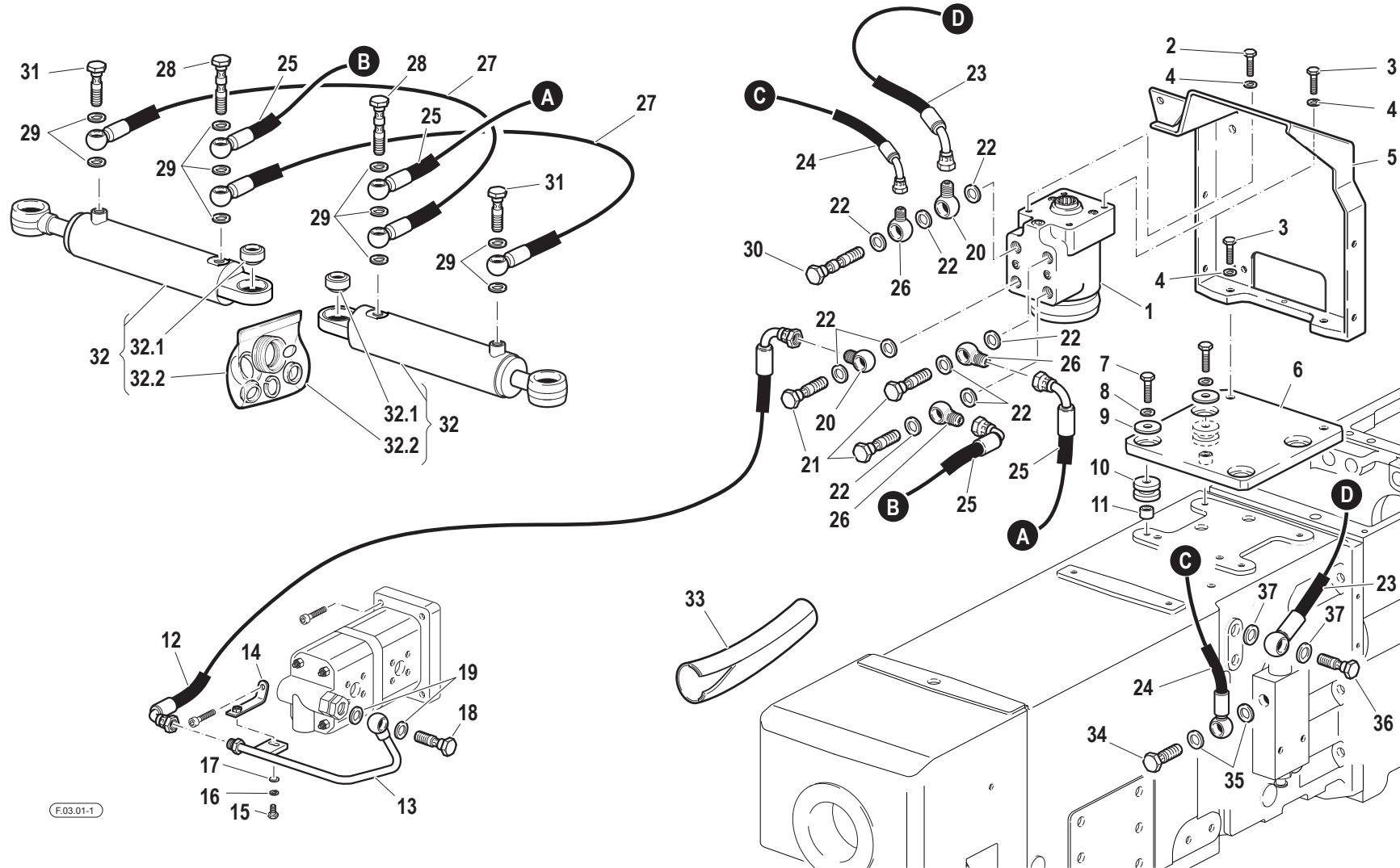
Pos.	Code	Q.ty	Description	Notes
1	58178954	1	HYDROSTEERING	
2	31112210	1	SCREW TE M10X20 UNI 5739	
3	31112219	5	SCREW TE M10X25 UNI 5739	
4	F0843755000	6	WASHER 10	
5	59072974	1	SUPPORT	
6	56174529	1	RETAINING PLATE	
7	F0862694000	4	SCREW M8X170 UNI 5737	
8	F0843643060	4	WASHER 8	
9	31411090	4	WASHER 9x24	
10	55175174	4	BLOCK	
11	56171996	4	SPACER	
12	58074921	1	FLEXIBLE HOSE	
13	59075224	1	PRESSURE PIPE	
14	59075225	1	FIXING BRACKET	
15	31112090	1	SCREW TE M6X16 UNI 5739 8G	
16	F0843570000	1	WASHER 6	
17	31411064	1	WASHER 6,4x12,5	
18	F0843110010	1	THREADED TERMINAL END M18x1,5	
19	F0824113000	2	COPPER WASHER 18X24/1,5	
20	F0842512000	2	PIPE FITTING	
21	F0843116000	3	PIPE FITTING 1/2	
22	F0824141000	9	COPPER WASHER 21x27/1,5	
23	58079431	1	FLEXIBLE HOSE	
24	58079432	1	PRESSURE HOSE	
25	58074735	2	FLEXIBLE HOSE	
26	F0835040030	3	PIPE FITTING	
27	58074733	2	CONNECTION PIPE	
28	30000211	2	HOLLOW SCREW M14X1,5	
29	F0843948000	10	COPPER WASHER 14,0x20/1,5	
30	30000789	1	PIPE FITTING	
31	F0843109000	2	PIPE FITTING 14x1,5	
32	58174710	2	STEERING CYLINDER	
32.1	58171739	1	BALL JOINT	
32.2	59900339	1	GASKET SET	

SERIAL
START
914705

STEERING HYDR. SYSTEM

CODE REV

F.03.01_1_40560

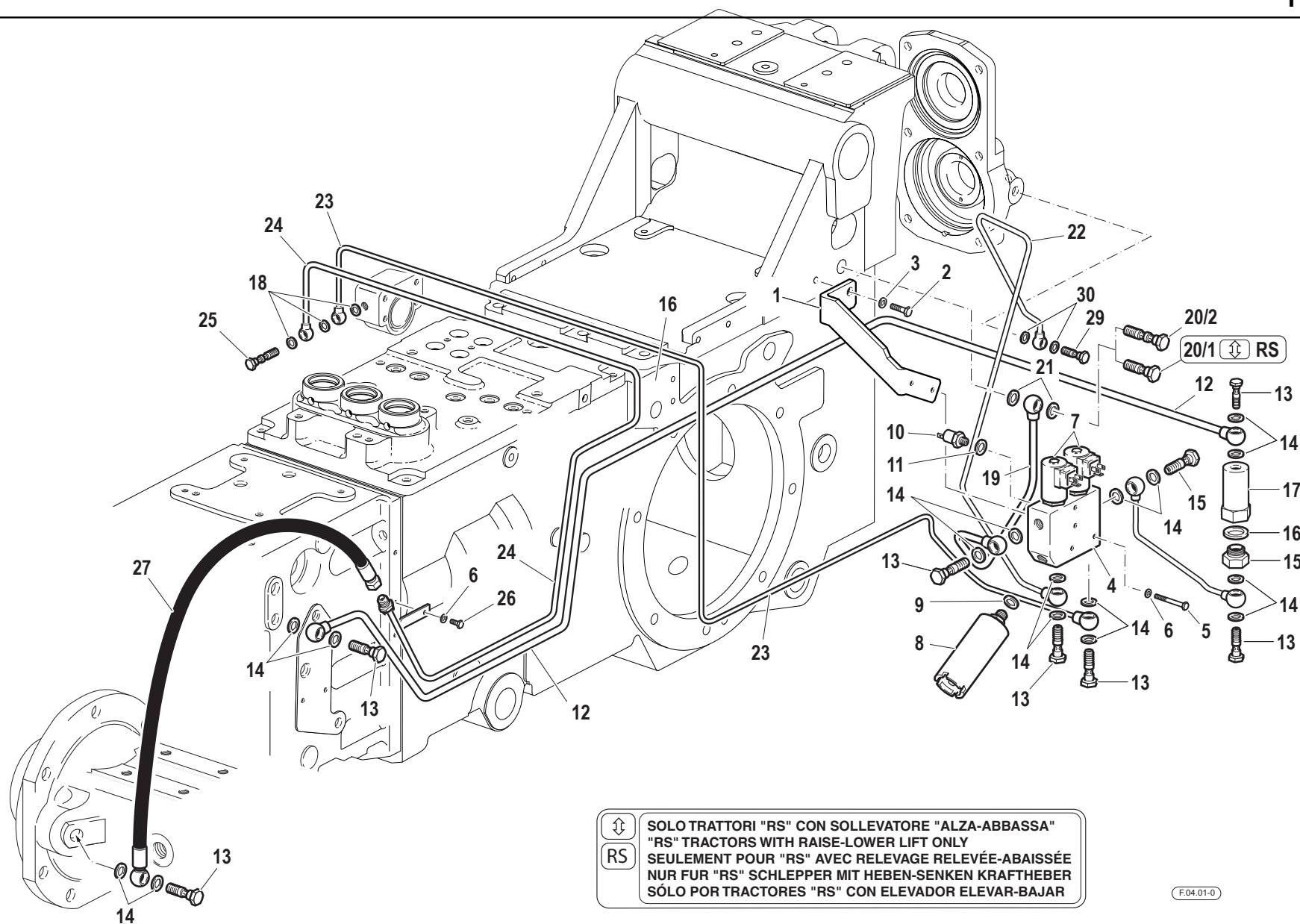


Pos.	Code	Q.ty	Description	Notes
33	57372345	1	SHIELD	
34	F0843107000	1	PIPE FITTING GAS 1/4	
35	F0843907000	2	COPPER WASHER 13,66x19/1,5	
36	F0843109020	1	PIPE FITTING	
37	F0824110000	2	COPPER WASHER 3/8 GAS	

SERIAL
START
914705

STEERING HYDR. SYSTEM

CODE REV
F.03.01_1_40560



↑↓	SOLO TRATTORI "RS" CON SOLLEVATORE "ALZA-ABBASSA"
	"RS" TRACTORS WITH RAISE-LOWER LIFT ONLY
RS	SEULEMENT POUR "RS" AVEC RELEVAGE RELEVÉE-ABAISSÉE
	NUR FÜR "RS" SCHLEPPER MIT HEBEN-SENKEN KRAFTHEBER
	SÓLO POR TRACTORES "RS" CON ELEVADOR ELEVAR-BAJAR

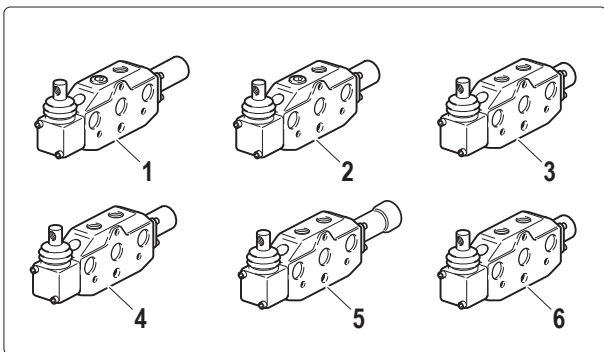
Pos.	Code	Q.ty	Description	Notes
1	56174665	1	SUPPORT	
2	31112150	2	SCREW TE M8X20 UNI 5739 8G	
3	F0843643060	2	WASHER 8	
4	56172749	1	SMALL BLOCK	
5	F0862345000	2	SCREW M6X40 UNI 5737	
6	F0843570000	3	WASHER 6	
7	58172463	2	ELECTRO VALVE	
8	59271011	1	UNIT	
9	F0843948000	1	COPPER WASHER 14,0x20/1,5	
10	58173399	1	PRESSURE SWITCH	
11	F0843841000	1	COPPER WASHER 12,0x18/1,5	
12	59075678	1	PRESSURE PIPE	
13	F0843107000	8	PIPE FITTING GAS 1/4	
14	F0843907000	16	COPPER WASHER 13,66x19/1,5	
15	58175677	1	HEAD	
16	F0824185000	1	COPPER WASHER 26X34X1,5	
17	58175676	1	BODY	
18	F0843771000	3	COPPER WASHER 10,0x16/1	
19	59074744	1	EXHAUST	
20/1	F0843109020	1	PIPE FITTING	
20/2	58170693	1	PIPE FITTING	
21	F0824110000	2	COPPER WASHER 3/8 GAS	
22	59075917	1	PRESSURE PIPE	
23	59074748	1	PRESSURE PIPE	
24	59074749	1	PRESSURE PIPE	
25	58174732	1	HOLLOW SCREW	
26	31111090	1	SCREW	
27	58074736	1	FLEXIBLE HOSE	
28	59075679	1	PIPE	
29	56178695	1	THREADED TERMINAL END	
30	P254124000000	2	WASHER	

SERIAL

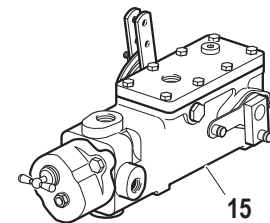
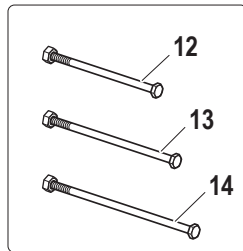
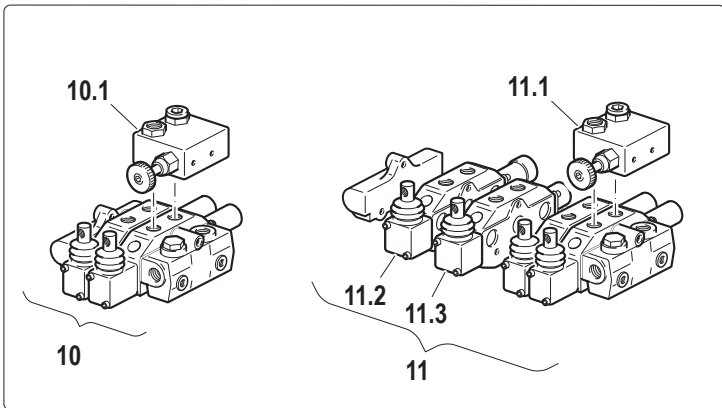
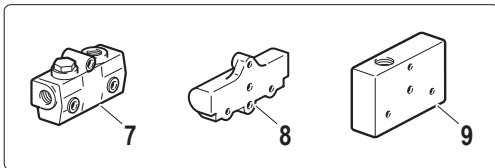
PTO /DIFFERENTIAL LOCK HYDR. SYSTEM

CODE REV

F.04.01_0_46735



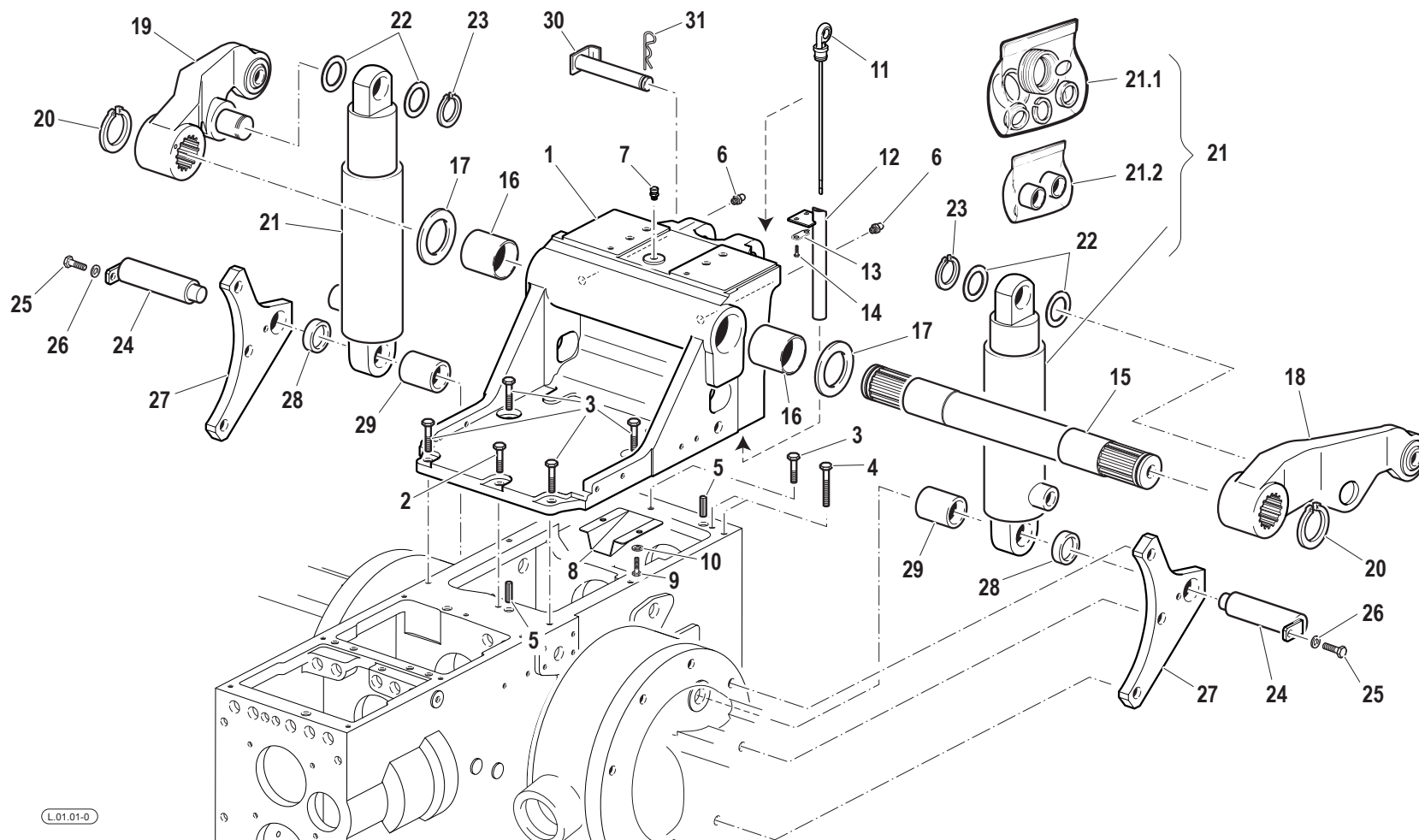
- VEDI TAVOLE GRUPPI...
 - SEE TABLES OF GROUPS...
 - VOIR TABLES GROUPES...
 - SIEHE GRUPPETAFFEL...
 - MIRAR TABLAS GRUPOS...



VEDI TAVOLE GRUPPO...
 SEE TABLES OF GROUP...
 VOIR TABLES GROUPE...
 SIEHE GRUPPETAFFEL...
 MIRAR TABLAS GRUPO...



Pos.	Code	Q.ty	Description	Notes
1	58172011	1	S.A. VALVE	
2	58172707	1	S.A. VALVE	
3	58172012	1	D.A. VALVE	
4	58172013	1	D.A. VALVE	
5	58172014	1	D.A. VALVE	
6	58172240	1	D.A. VALVE	
7	58172304	1	HEAD	
8	58172489	1	COVER	
9	58173361	1	COVER	
10	58171925	1	FLOATING DEVICE GROUP	
10.1	59900230	1	VALVE	
11	58174974	1	FLOATING DEVICE GROUP	
11.1	59900230	1	VALVE	
11.2	58172014	1	D.A. VALVE	
11.3	58172240	1	D.A. VALVE	
12	58172016	1	ROD	
13	58172017	1	ROD	
14	58172018	1	ROD	
15	58175191	1	DISTRIBUTOR	



L.01.01-0

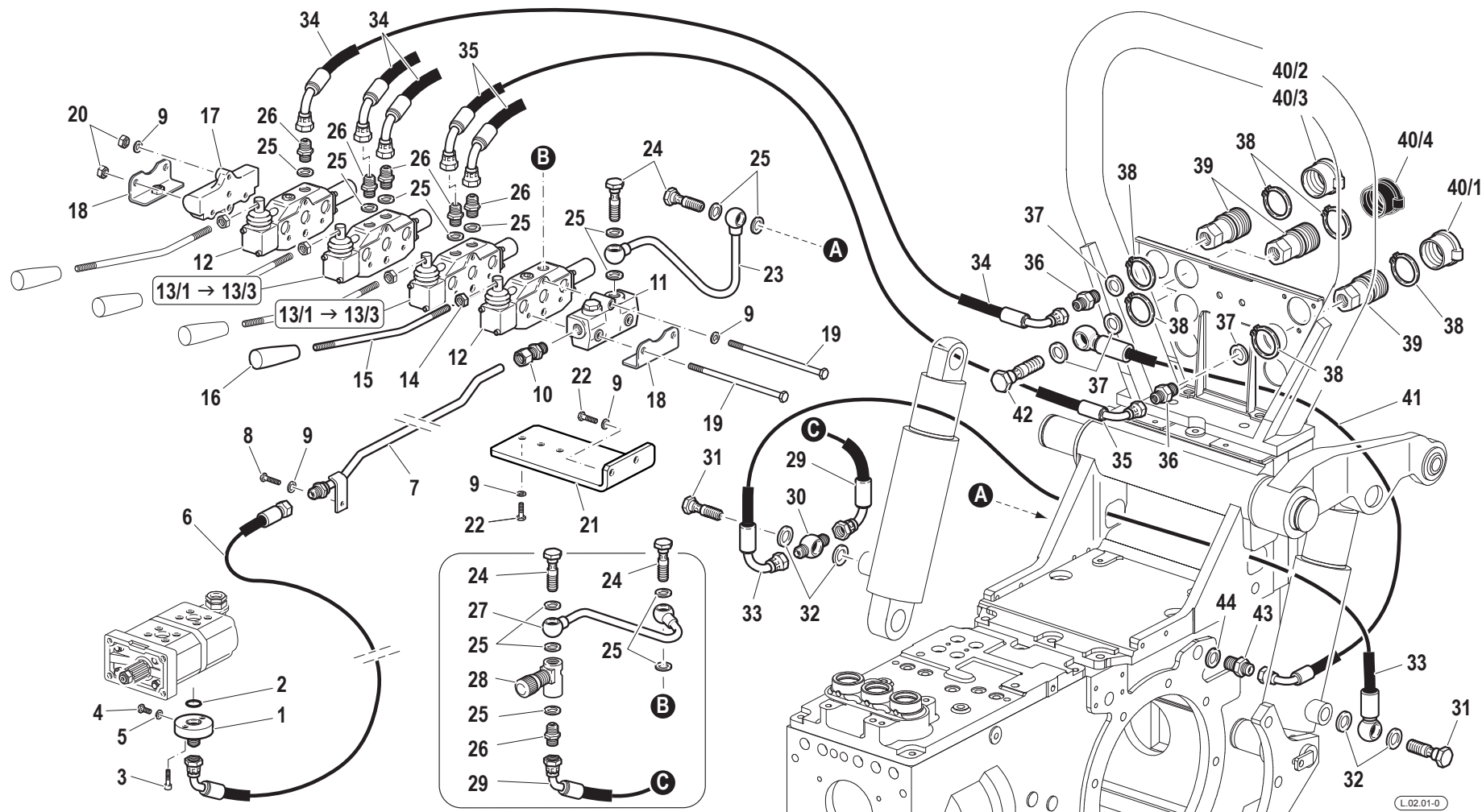
Pos.	Code	Q.ty	Description	Notes
1	51174315	1	SUPPORT	
2	31112219	1	SCREW TE M10X25 UNI 5739	
3	31112211	5	SCREW TE M10X30 UNI 5739	
4	F0863429000	4	SCREW M10X45 UNI 5737	
5	56570016	2	CYLINDRICAL PLUG	
6	F0826056000	1	LUBRICATOR M10 UNI 7663A	
7	58075603	1	PLUG	
8	56173638	1	GUARD	
9	31112149	2	SCREW TE M8X12 UNI 5739 8G	
10	F0843643060	2	WASHER 8	
11	58174581	1	OIL LEVEL ROD	
12	59076085	1	OIL PIPE	
13	52071702	1	CLAMPING PLATE	
14	31112082	2	SCREW TE M6X12 UNI 5739 8G	
15	56570284	1	SHAFT	
16	58170291	2	BUSHING	
17	56370288	2	SHIM	
18	59070289	1	LIFTING ARM	
19	59070290	1	RIGHT ARM	
20	F0801331050	2	SEEGER RING	
21	58170245	2	LIFTING CYLINDER	
21.1	58171537	1	GASKET SET	
21.2	58171536	1	BUSHINGS KIT	
22	56370282	4	SHIM	
23	F0801241010	2	SEEGER RING	
24	56370287	2	HINGE PIN	
25	31112150	2	SCREW TE M8X20 UNI 5739 8G	
26	F0843643060	2	WASHER 8	
27	56170283	2	BRACKET	
28	56170286	2	SPACER	
29	56170285	2	SPACER	
30	59078588	1	CONNECTING BOLT	
31	F0851486000	1	SPLIT PIN	

SERIAL

RAISE/LOWER LIFT

CODE REV

L.01.01_0_40903



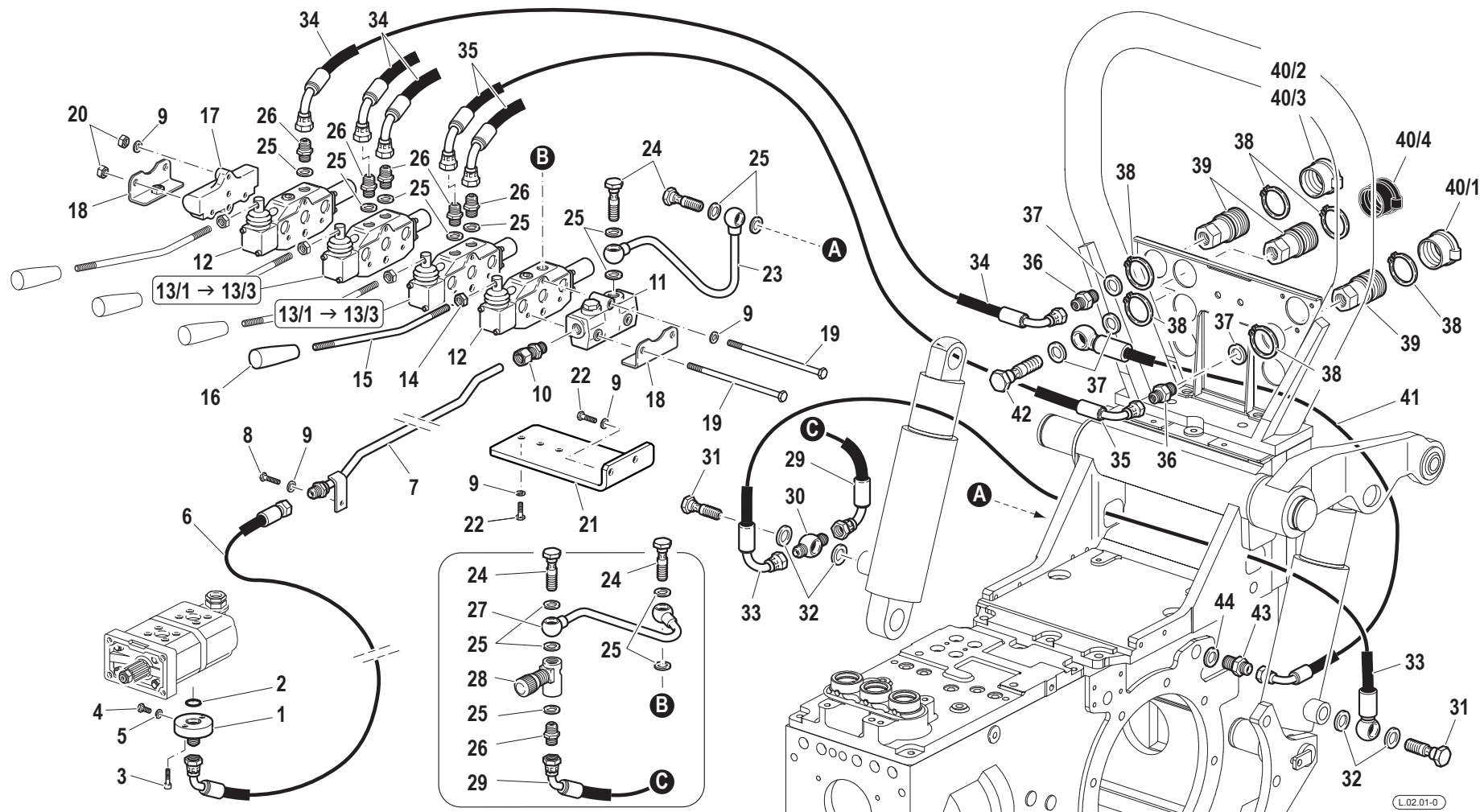
Pos.	Code	Q.ty	Description	Notes
1	F0825809000	1	PRESSURE PIPE CONNECTOR	
2	F0803185000	1	O-RING	
3	31152057	2	SCREW	
4	F0862462010	1	SCREW	
5	F0824022000	1	SPECIAL GASKET D.8,4X12/1	
6	58075247	1	FLEXIBLE HOSE	
7	59074754	1	PRESSURE PIPE	
8	31111151	1	SCREW TE M8X16 UNI 5739 8G	
9	F0843643060	7	WASHER 8	
10	58172015	1	PIPE FITTING	
11	58172304	1	HEAD	
12	58172011	2	S.A. VALVE	
13/1	58172012	2	D.A. VALVE	
13/2	58172013	2	D.A. VALVE	
13/3	58172014	2	D.A. VALVE	
14	31211100	4	NUT M10	
15	56170964	4	COMMAND LEVER	
16	F0837534010	4	GRIP	
17	58172489	1	COVER	
18	59072057	2	FIXING BRACKET	
19	58172018	3	ROD	
20	31211080	6	NUT M8	
21	56174202	1	RETAINER	
22	31112150	4	SCREW TE M8X20 UNI 5739 8G	
23	59074759	1	OIL PIPE	
24	F0843109020	4	PIPE FITTING	
25	F0824110000	14	COPPER WASHER 3/8 GAS	
26	30000197	6	NIPPLE	
27	59075359	1	PRESSURE PIPE	
28	P241171000000	1	VALVE	
29	58075135	1	FLEXIBLE HOSE	
30	58170512	1	EYELET	
31	F0843110010	2	THREADED TERMINAL END M18x1,5	
32	F0824113000	4	COPPER WASHER 18X24/1,5	

SERIAL

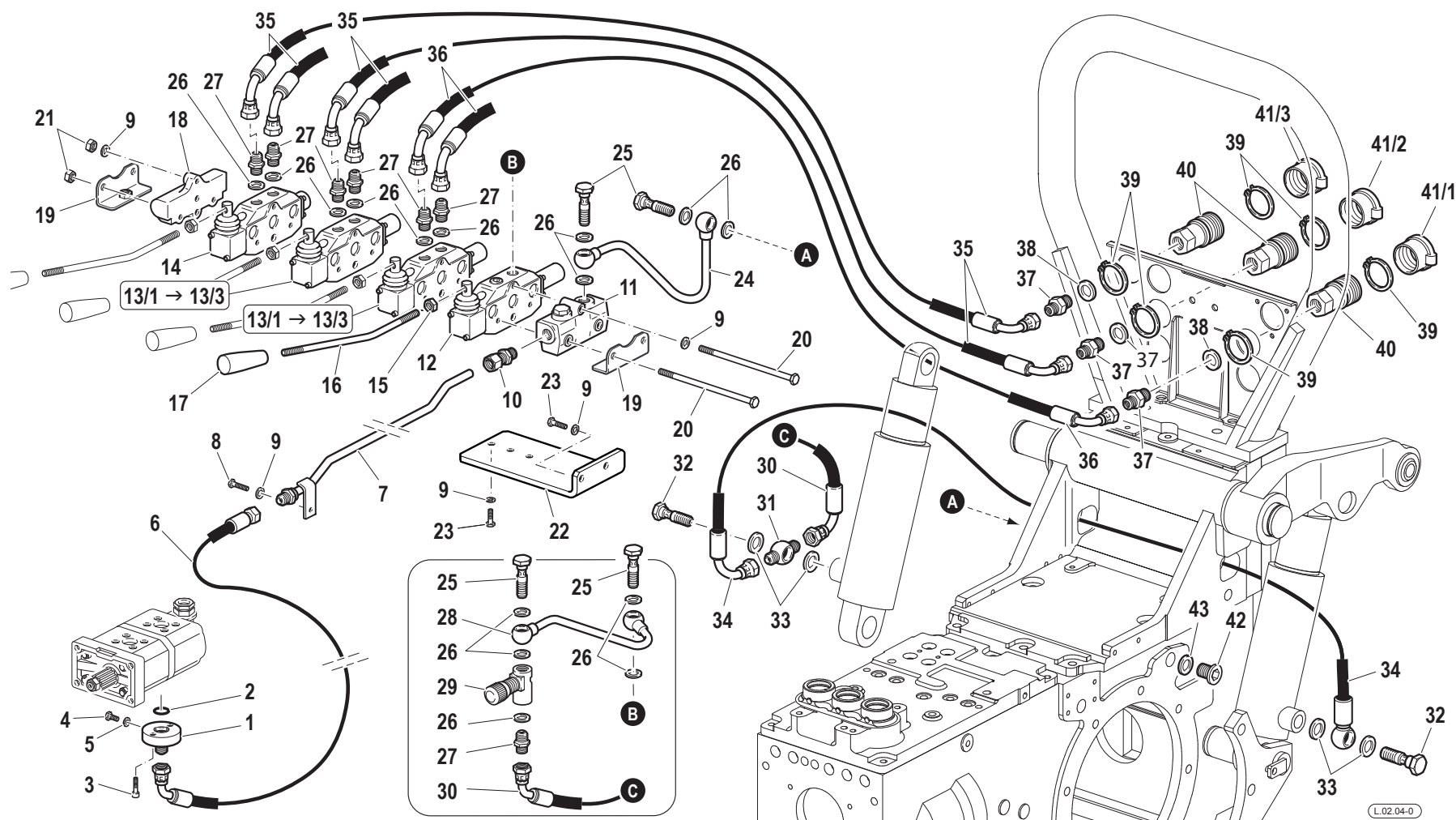
FREE DISCHARGE CONTROL VALVES VERSION

CODE REV

L.02.01_0_40937



Pos.	Code	Q.ty	Description	Notes
33	58070513	1	FLEXIBLE HOSE	
34	58075080	3	FLEXIBLE HOSE	
35	58075087	2	FLEXIBLE HOSE	
36	F0835037000	5	NIPPLE	
37	F0824141000	7	COPPER WASHER 21x27/1,5	
38	F0801282000	12	SEEGER RING E 38 UNI 7435	
39	F0825980030	6	COUPLING	
40/1	F0852550010	2	GUARD	
40/2	F0852550020	2	GUARD	
40/3	F0852550030	1	GUARD	
40/4	F0852550040	1	GUARD	
41	58075082	1	FLEXIBLE HOSE	
42	F0843116000	1	PIPE FITTING 1/2	
43	58175083	1	NIPPLE	
44	F0844273090	1	GASKET 22X28X1,5 CU 99,5	



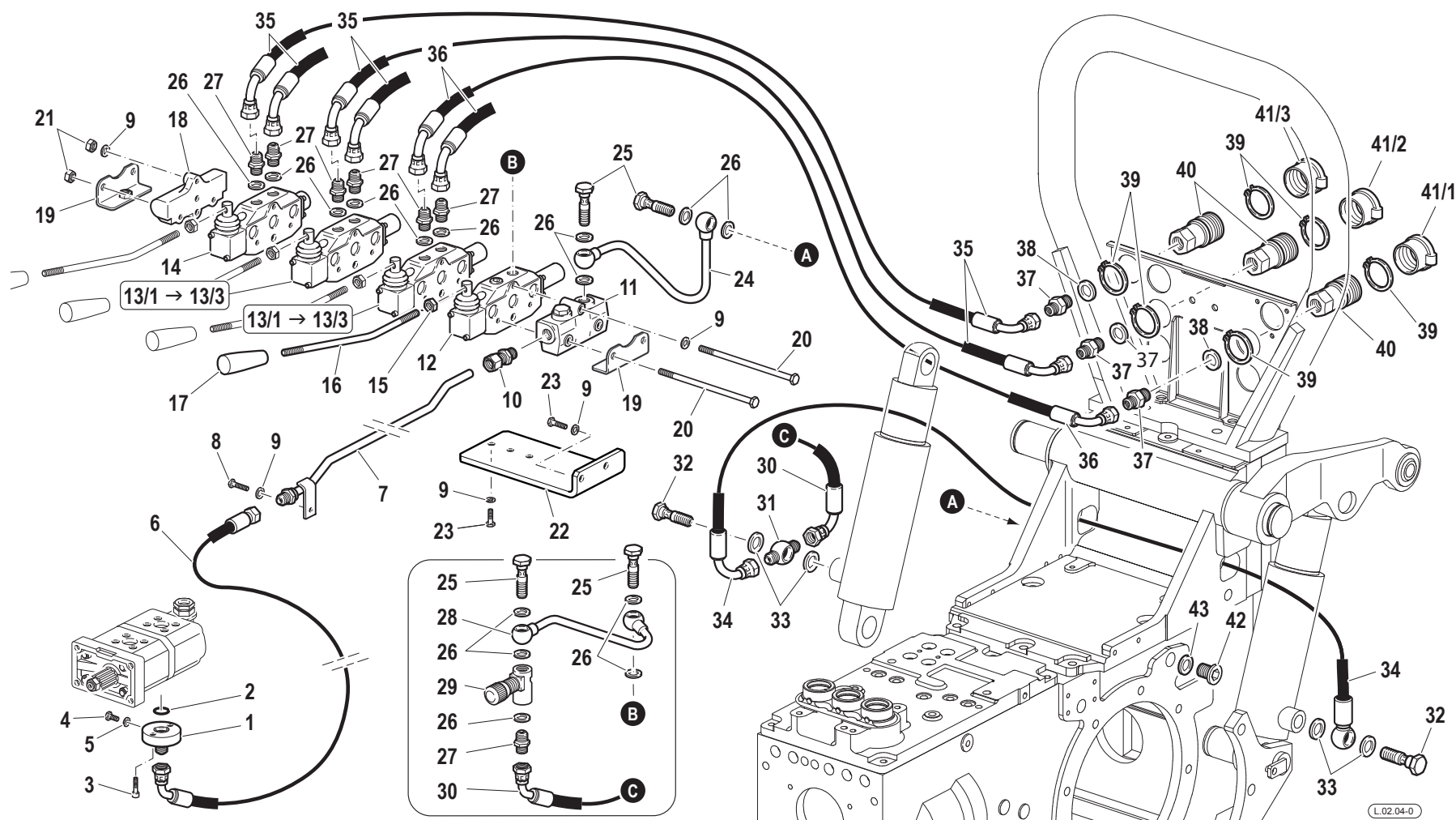
Pos.	Code	Q.ty	Description	Notes
1	F0825809000	1	PRESSURE PIPE CONNECTOR	
2	F0803185000	1	O-RING	
3	31152057	2	SCREW	
4	F0862462010	1	SCREW	
5	F0824022000	1	SPECIAL GASKET D.8,4X12/1	
6	58075247	1	FLEXIBLE HOSE	
7	59074754	1	PRESSURE PIPE	
8	31111151	1	SCREW TE M8X16 UNI 5739 8G	
9	F0843643060	7	WASHER 8	
10	58172015	1	PIPE FITTING	
11	58172304	1	HEAD	
12	58172011	1	S.A. VALVE	
13/1	58172012	2	D.A. VALVE	
13/2	58172013	2	D.A. VALVE	
13/3	58172014	2	D.A. VALVE	
14	58172012	1	D.A. VALVE	
15	31211100	4	NUT M10	
16	56170964	4	COMMAND LEVER	
17	F0837534010	4	GRIP	
18	58172489	1	COVER	
19	59072057	2	FIXING BRACKET	
20	58172018	3	ROD	
21	31211080	6	NUT M8	
22	56174202	1	RETAINER	
23	31112150	4	SCREW TE M8X20 UNI 5739 8G	
24	59074759	1	OIL PIPE	
25	F0843109020	4	PIPE FITTING	
26	F0824110000	15	COPPER WASHER 3/8 GAS	
27	30000197	7	NIPPLE	
28	59075359	1	PRESSURE PIPE	
29	P241171000000	1	VALVE	
30	58075135	1	FLEXIBLE HOSE	
31	58170512	1	EYELET	
32	F0843110010	2	THREADED TERMINAL END M18x1,5	

SERIAL

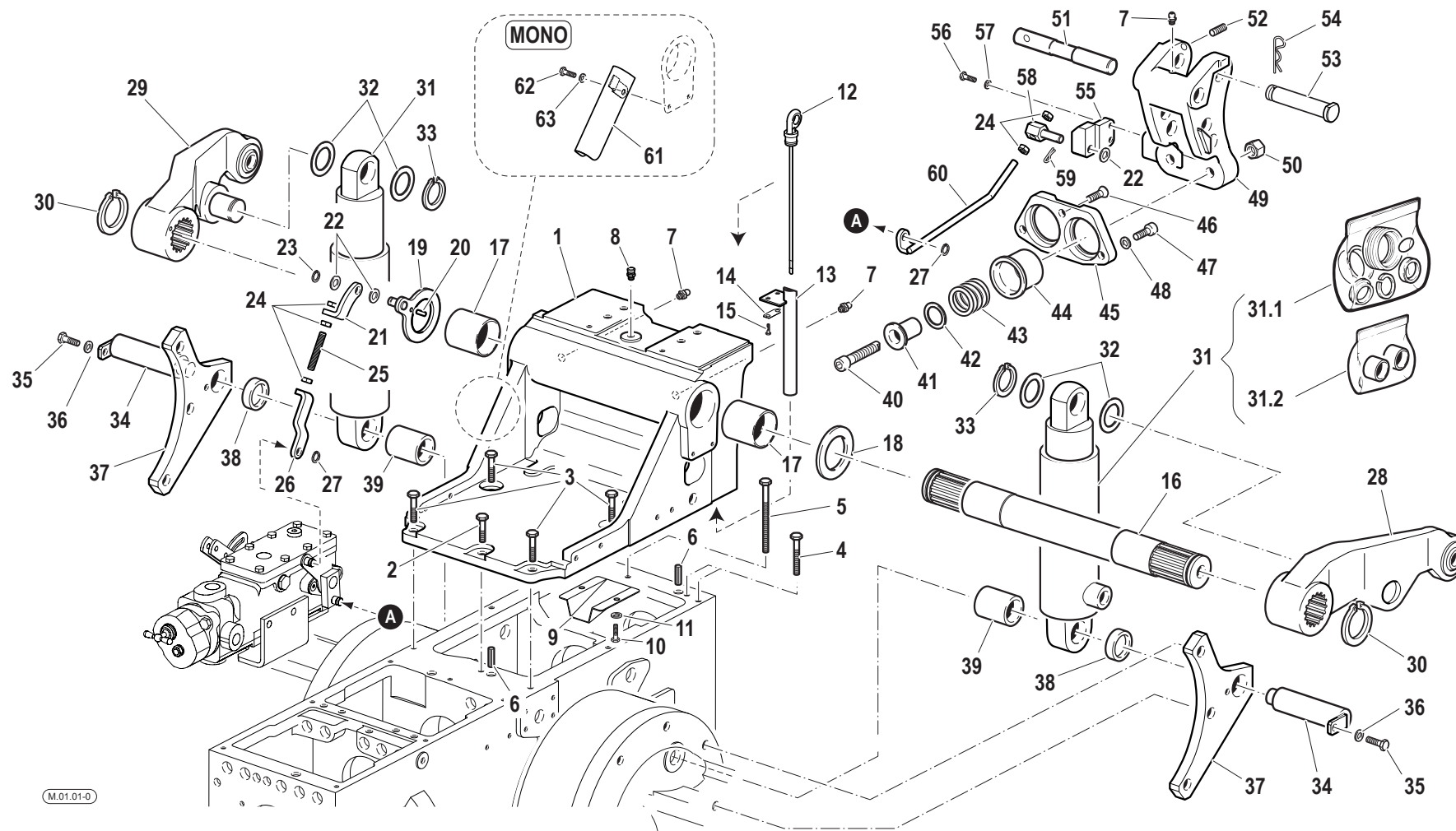
CONTROL VALVES WITHOUT FREE DISCHARGE VERSION

CODE REV

L.02.04_0_41097



Pos.	Code	Q.ty	Description	Notes
33	F0824113000	4	COPPER WASHER 18X24/1,5	
34	58070513	1	FLEXIBLE HOSE	
35	58075080	4	FLEXIBLE HOSE	
36	58075087	2	FLEXIBLE HOSE	
37	F0835037000	6	NIPPLE	
38	F0824141000	6	COPPER WASHER 21x27/1,5	
39	F0801282000	12	SEEGER RING E 38 UNI 7435	
40	F0825980030	6	COUPLING	
41/1	F0852550010	2	GUARD	
41/2	F0852550020	2	GUARD	
41/3	F0852550030	2	GUARD	
42	56370081	1	PLUG	
43	F0844273090	1	GASKET 22X28X1,5 CU 99,5	



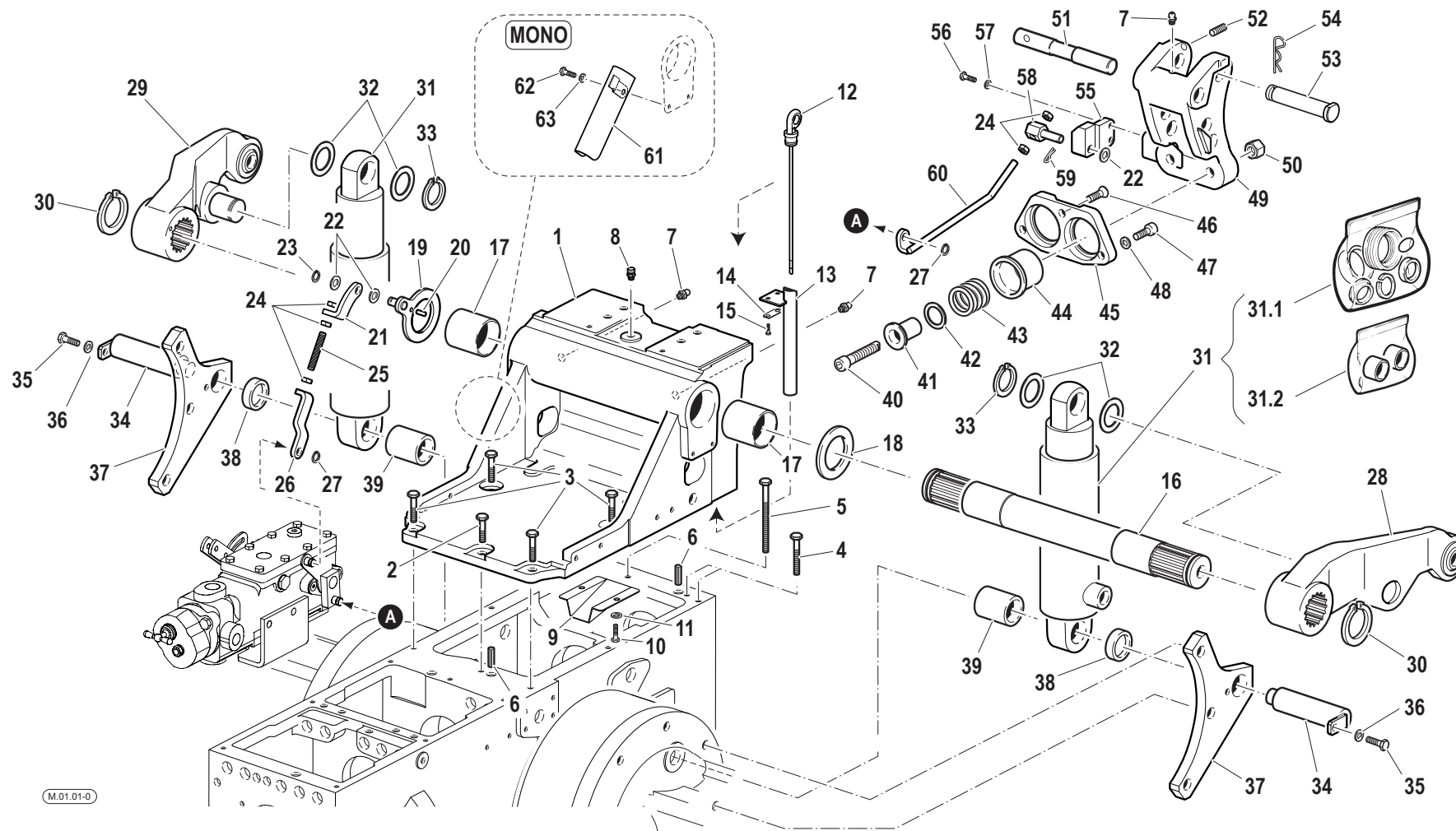
Pos.	Code	Q.ty	Description	Notes
1	51174047	1	SUPPORT	
2	31112219	1	SCREW TE M10X25 UNI 5739	
3	31112211	4	SCREW TE M10X30 UNI 5739	
4	F0863429000	4	SCREW M10X45 UNI 5737	
5	31112217	1	SCREW TE M10X80 UNI 5737	
6	56570016	2	CYLINDRICAL PLUG	
7	F0826056000	3	LUBRICATOR M10 UNI 7663A	
8	58075603	1	PLUG	
9	56173638	1	GUARD	
10	31112149	2	SCREW TE M8X12 UNI 5739 8G	
11	F0843643060	2	WASHER 8	
12	58174581	1	OIL LEVEL ROD	
13	59076085	1	OIL PIPE	
14	52071702	1	CLAMPING PLATE	
15	31112082	2	SCREW TE M6X12 UNI 5739 8G	
16	56570284	1	SHAFT	
17	58170291	2	BUSHING	
18	56370288	1	SHIM	
19	59075148	1	SHIM	
20	56570506	1	PIN	
21	56375147	1	BRACKET	
22	31411104	3	WASHER 10,5x18	
23	F0801050000	1	SEEGER RING	
24	F0814569000	5	NUT	
25	56375146	1	GRAIN	
26	56075145	1	BRACKET	
27	35211070	2	SEEGER RING	
28	59070289	1	LIFTING ARM	
29	59070290	1	RIGHT ARM	
30	F0801331050	2	SEEGER RING	
31	58170245	2	LIFTING CYLINDER	
31.1	58171537	1	GASKET SET	
31.2	58171536	1	BUSHINGS KIT	
32	56370282	4	SHIM	

SERIAL

POSITION AND DRAFT CONTROL LIFT

CODE REV

M.01.01_0_41199



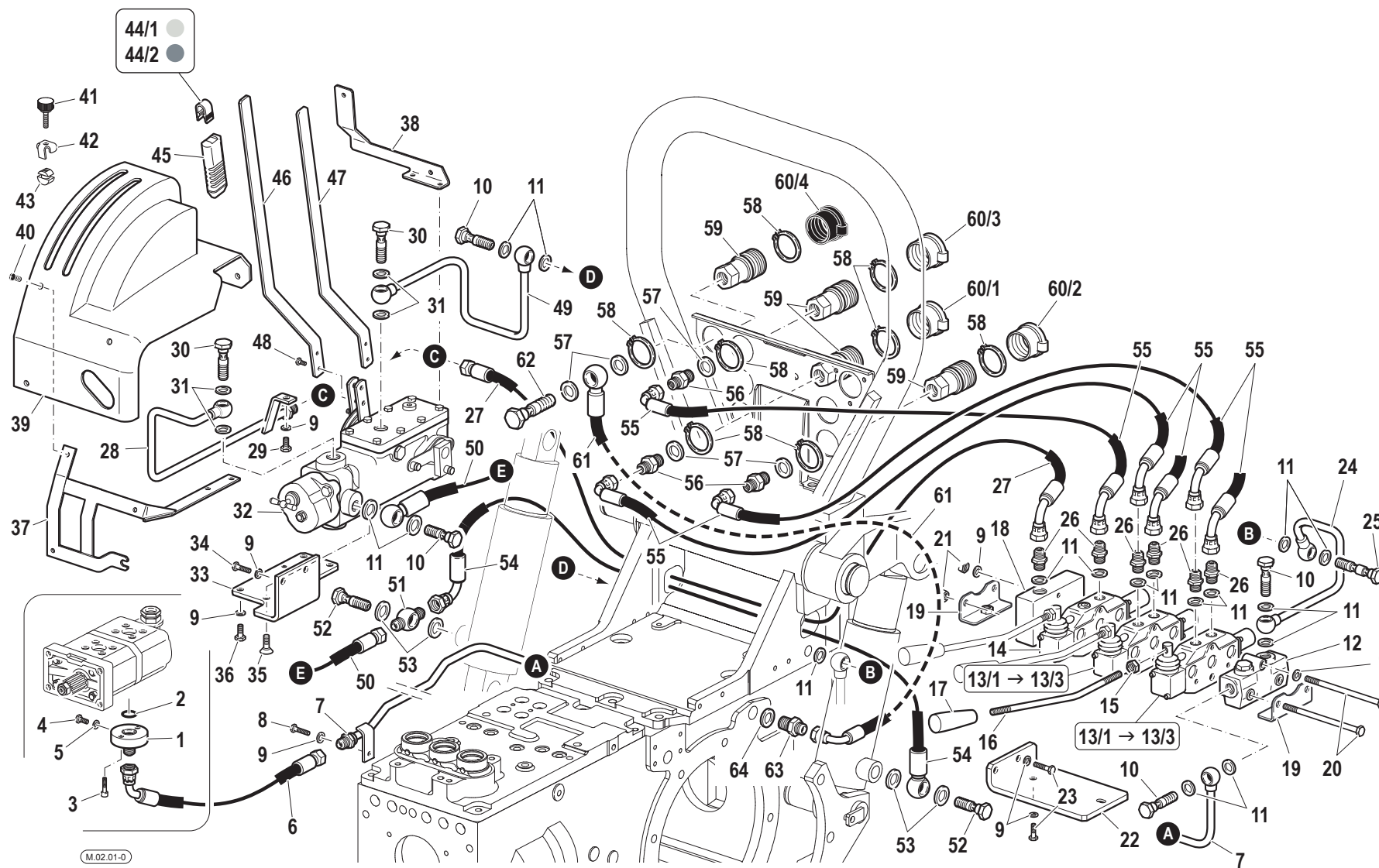
Pos.	Code	Q.ty	Description	Notes
33	F0801241010	2	SEEGER RING	
34	56370287	2	HINGE PIN	
35	31112150	2	SCREW TE M8X20 UNI 5739 8G	
36	F0843643060	2	WASHER 8	
37	56170283	2	BRACKET	
38	56170286	2	SPACER	
39	56170285	2	SPACER	
40	50973415	2	SCREW	
41	56073414	2	GUIDE	
42	56373426	1	SHIM	
42	56373427	1	SHIM	
42	56373428	1	SHIM	
42	58025869	1	SHIM	
43	58073411	2	SPRING	
44	56073413	2	SLEEVE	
45	56073416	1	FLANGE	
46	F0863208050	1	SCREW M10X20 UNI 5933	
47	31152097	2	SCREW TCEI M10X30 UNI 5931	
48	F0843755000	2	WASHER 10	
49	51173371	1	THREE-POINT LINKAGE	
50	31241121	2	SELFLOCK NUT M12	
51	56374574	1	CONNECTING BOLT	
52	F0862593050	1	SCREW M8X20 UNI 5927	
53	56373436	1	PIN	
54	F0851486000	1	SPLIT PIN	
55	59075140	1	SMALL BLOCK	
56	31112093	2	SCREW TE M6X20	
57	F0843570000	2	WASHER 6	
58	56075143	1	HINGE PIN	
59	34110030	1	SPLIT PIN	
60	59075137	1	ROD	
61	59075178	1	CABLE BARRIER RAIL	
62	31111091	1	SCREW E M6X14 UNI 5739 8G	
63	F0843570000	1	WASHER 6	

SERIAL

POSITION AND DRAFT CONTROL LIFT

CODE REV

M.01.01_0_41199



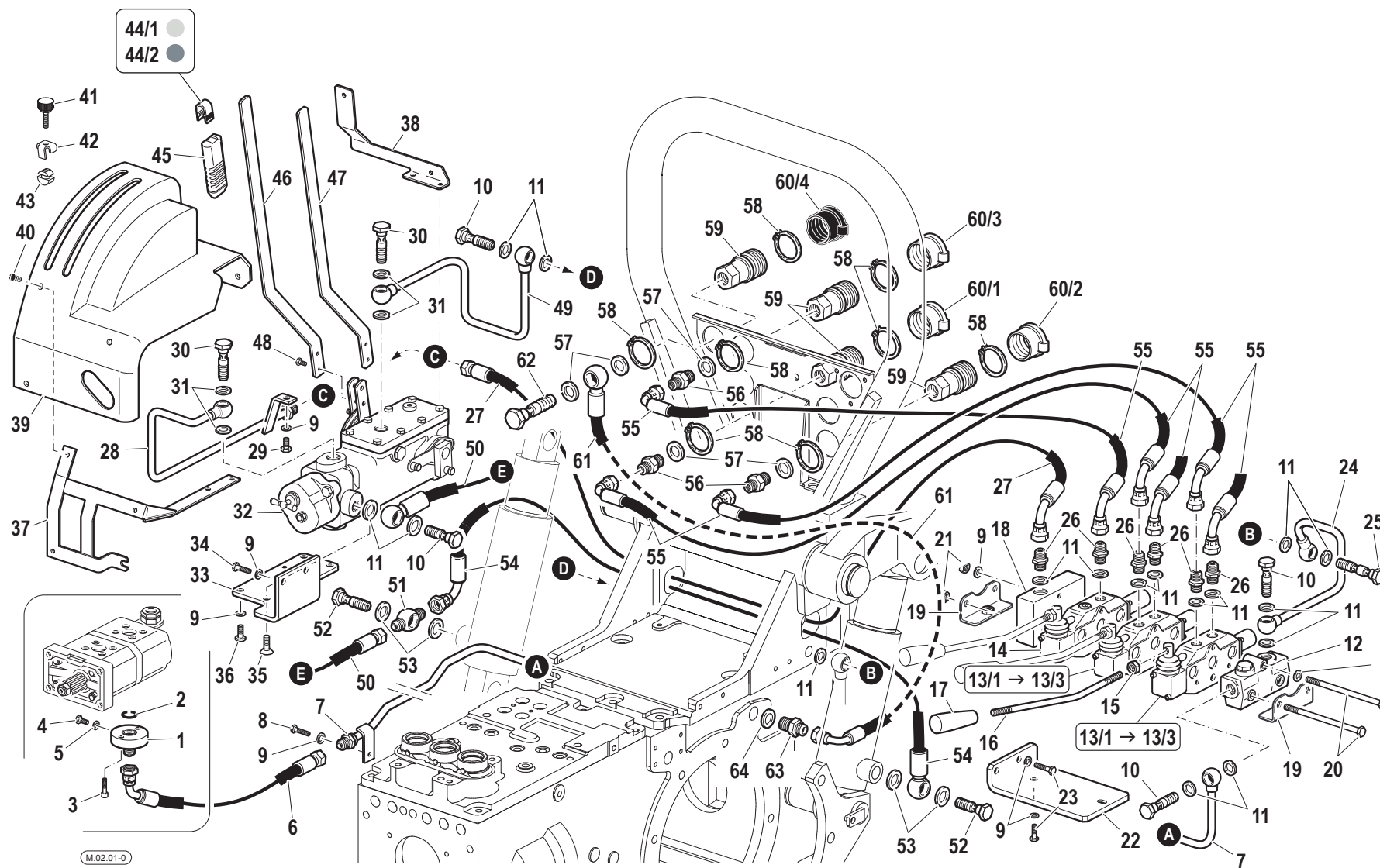
Pos.	Code	Q.ty	Description	Notes
1	F0825809000	1	PRESSURE PIPE CONNECTOR	
2	F0803185000	1	O-RING	
3	31152057	2	SCREW	
4	F0862462010	1	SCREW	
5	F0824022000	1	SPECIAL GASKET D.8,4X12/1	
6	58075247	1	FLEXIBLE HOSE	
7	59075216	1	PRESSURE PIPE	
8	31111151	1	SCREW TE M8X16 UNI 5739 8G	
9	F0843643060	13	WASHER 8	
10	F0843109020	4	PIPE FITTING	
11	F0824110000	17	COPPER WASHER 3/8 GAS	
12	58172304	1	HEAD	
13/1	58172012	2	D.A. VALVE	
13/2	58172013	2	D.A. VALVE	
13/3	58172014	2	D.A. VALVE	
14	58172011	1	S.A. VALVE	
15	31211100	3	NUT M10	
16	56170964	3	COMMAND LEVER	
17	F0837534010	3	GRIP	
18	58173361	1	COVER	
19	59072057	2	FIXING BRACKET	
20	58172017	3	ROD	
21	31211080	3	NUT M8	
22	56175227	1	LEFT BRACKET	
23	31112150	4	SCREW TE M8X20 UNI 5739 8G	
24	59075217	1	EXHAUST	
25	F0843110010	3	THREADED TERMINAL END M18x1,5	
26	30000197	6	NIPPLE	
27	58075159	1	FLEXIBLE HOSE	
28	59075979	1	PRESSURE PIPE	
29	31112149	1	SCREW TE M8X12 UNI 5739 8G	
30	F0843116000	2	PIPE FITTING 1/2	
31	F0824141000	4	COPPER WASHER 21x27/1,5	
32	58175191	1	DISTRIBUTOR	

SERIAL

FREE DISCHARGE CONTROL VALVES VERSION

CODE REV

M.02.01_0_41268



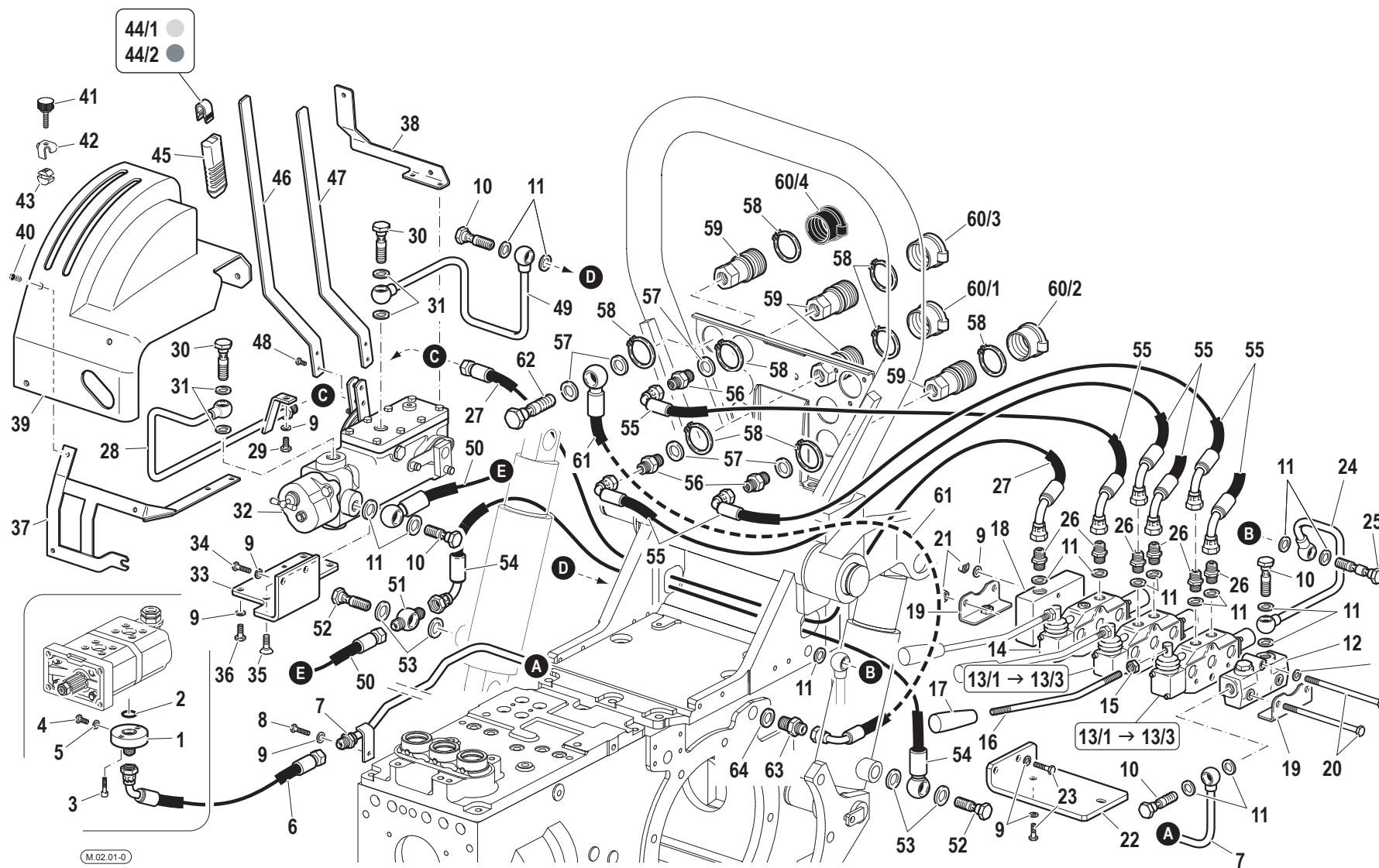
Pos.	Code	Q.ty	Description	Notes
33	56075161	1	FIXING BRACKET	
34	31112150	2	SCREW TE M8X20 UNI 5739 8G	
35	F0862481000	1	SCREW M8x16 UNI 5933	
36	31111151	3	SCREW TE M8X16 UNI 5739 8G	
37	59075253	1	FIXING BRACKET	
38	56075251	1	FIXING BRACKET	
39	57375192	1	COVER	
40	F0861973000	5	SCREW M6X10 COMBI	
41	58177761	1	KNOB	
42	56075197	1	CLIP	
43	56077760	1	SMALL BLOCK	
44/1	58175211	1	INSERT	
44/2	58175188	1	INSERT	
45	58175187	2	KNOB	
46	56075183	1	COMMAND LEVER	
47	56075184	1	COMMAND LEVER	
48	31112090	4	SCREW TE M6X16 UNI 5739 8G	
49	59075171	1	EXHAUST	
50	58075160	1	FLEXIBLE HOSE	
51	58170512	1	EYELET	
52	F0843110010	2	THREADED TERMINAL END M18x1,5	
53	F0824113000	4	COPPER WASHER 18X24/1,5	
54	58070513	1	FLEXIBLE HOSE	
55	58074958	5	FLEXIBLE HOSE	
56	F0835037000	5	NIPPLE	
57	F0824141000	7	COPPER WASHER 21x27/1,5	
58	F0801282000	12	SEEGER RING E 38 UNI 7435	
59	F0825980030	6	COUPLING	
60/1	F0852550010	2	GUARD	
60/2	F0852550020	2	GUARD	
60/3	F0852550030	1	GUARD	
60/4	F0852550040	1	GUARD	
61	58075082	1	FLEXIBLE HOSE	
62	F0843116000	1	PIPE FITTING 1/2	

SERIAL

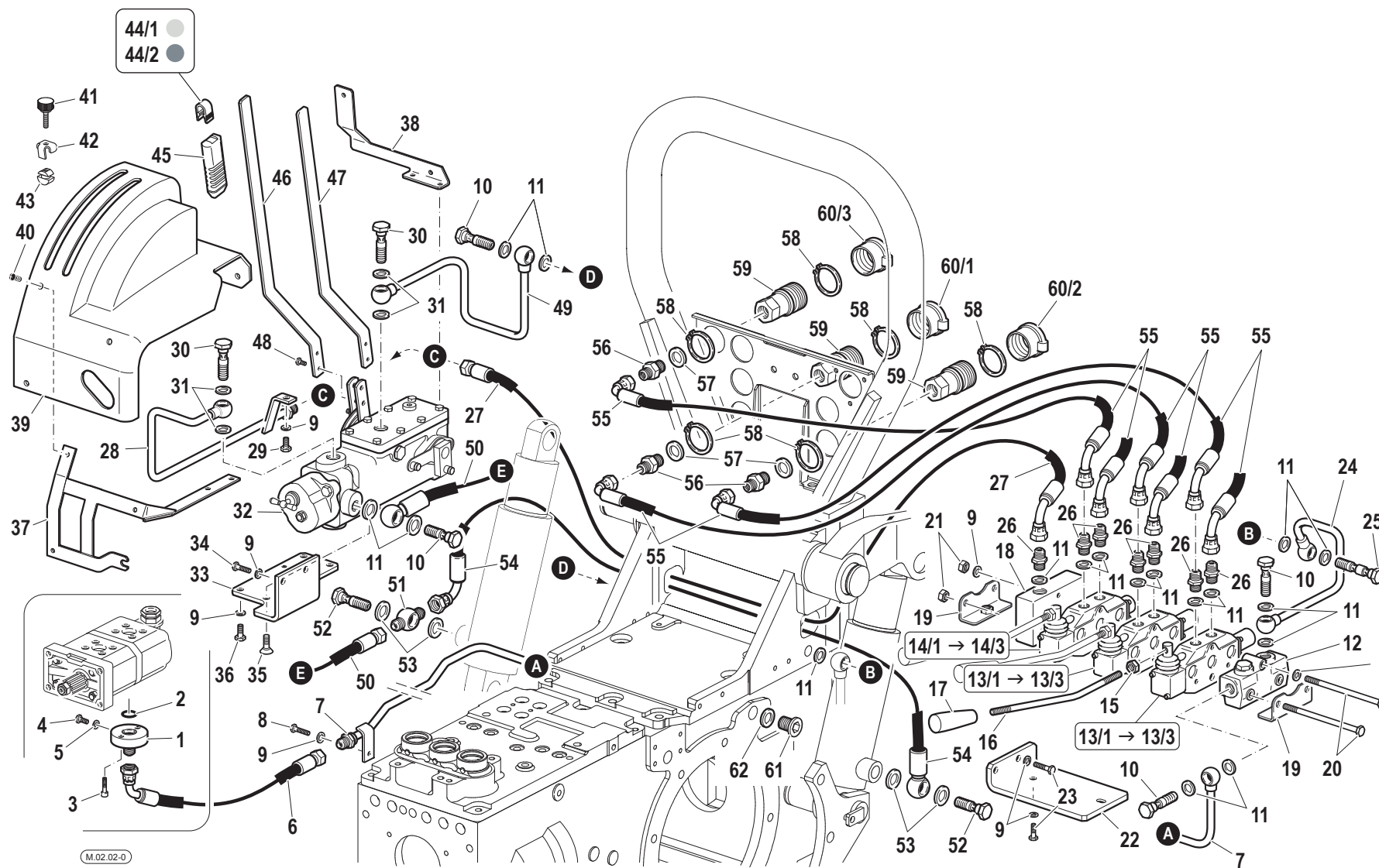
FREE DISCHARGE CONTROL VALVES VERSION

CODE REV

M.02.01_0_41268



Pos.	Code	Q.ty	Description	Notes
63	58175083	1	NIPPLE	
64	F0844273090	1	GASKET 22X28X1,5 CU 99,5	



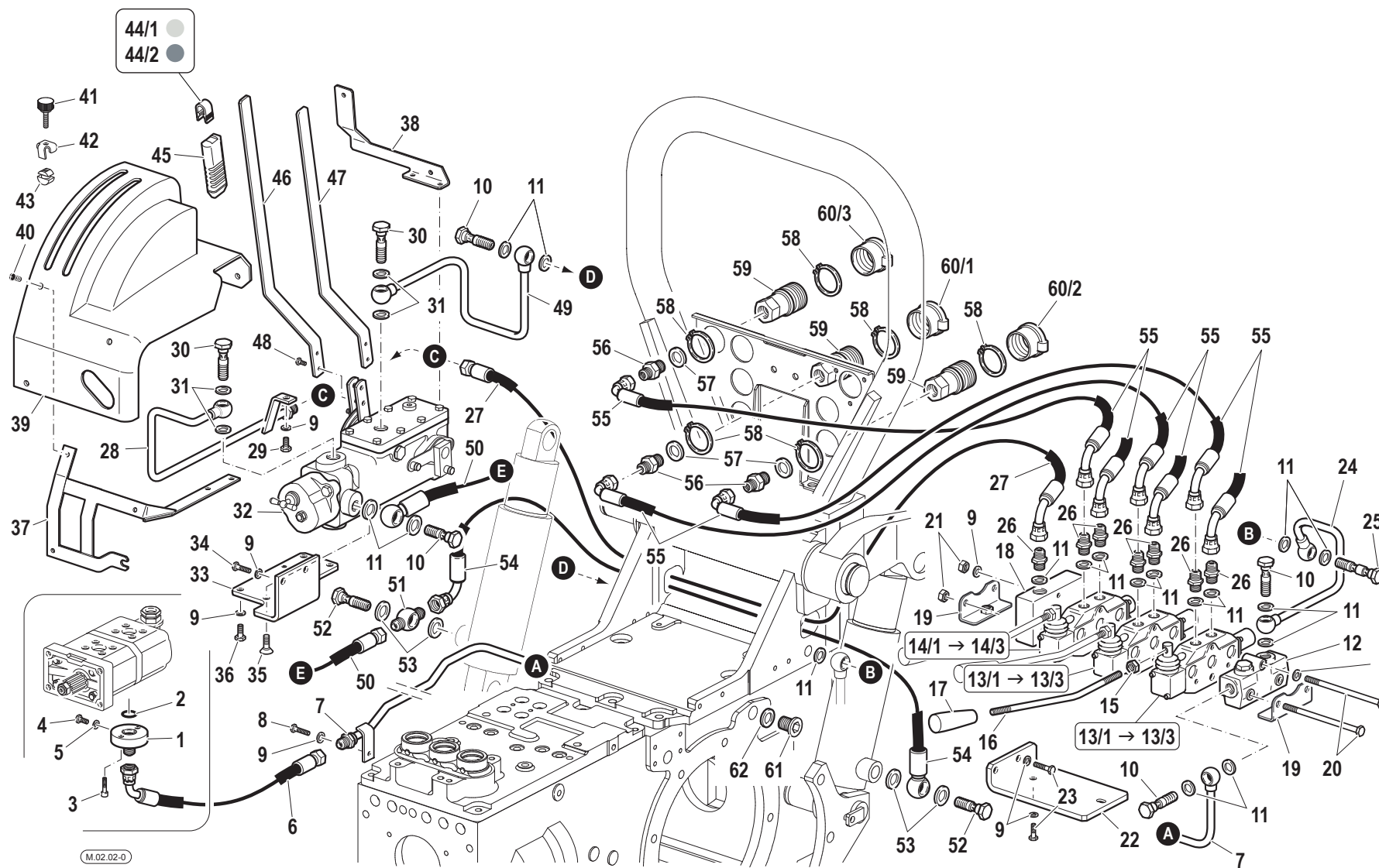
Pos.	Code	Q.ty	Description	Notes
1	F0825809000	1	PRESSURE PIPE CONNECTOR	
2	F0803185000	1	O-RING	
3	31152057	2	SCREW	
4	F0862462010	1	SCREW	
5	F0824022000	1	SPECIAL GASKET D.8,4X12/1	
6	58075247	1	FLEXIBLE HOSE	
7	59075216	1	PRESSURE PIPE	
8	31111151	1	SCREW TE M8X16 UNI 5739 8G	
9	F0843643060	13	WASHER 8	
10	F0843109020	4	PIPE FITTING	
11	F0824110000	18	COPPER WASHER 3/8 GAS	
12	58172304	1	HEAD	
13/1	58172012	2	D.A. VALVE	
13/2	58172013	2	D.A. VALVE	
13/3	58172014	2	D.A. VALVE	
14/1	58172012	1	D.A. VALVE	
14/2	58172013	1	D.A. VALVE	
14/3	58172014	1	D.A. VALVE	
15	31211100	3	NUT M10	
16	56170964	3	COMMAND LEVER	
17	F0837534010	3	GRIP	
18	58173361	1	COVER	
19	59072057	2	FIXING BRACKET	
20	58172017	3	ROD	
21	31211080	3	NUT M8	
22	56175227	1	LEFT BRACKET	
23	31112150	4	SCREW TE M8X20 UNI 5739 8G	
24	59075217	1	EXHAUST	
25	F0843110010	1	THREADED TERMINAL END M18x1,5	
26	30000197	7	NIPPLE	
27	58075159	1	FLEXIBLE HOSE	
28	59075979	1	PRESSURE PIPE	
29	31112149	1	SCREW TE M8X12 UNI 5739 8G	
30	F0843116000	2	PIPE FITTING 1/2	

SERIAL

CONTROL VALVES WITHOUT FREE DISCHARGE VERSION

CODE REV

M.02.02_0_41339



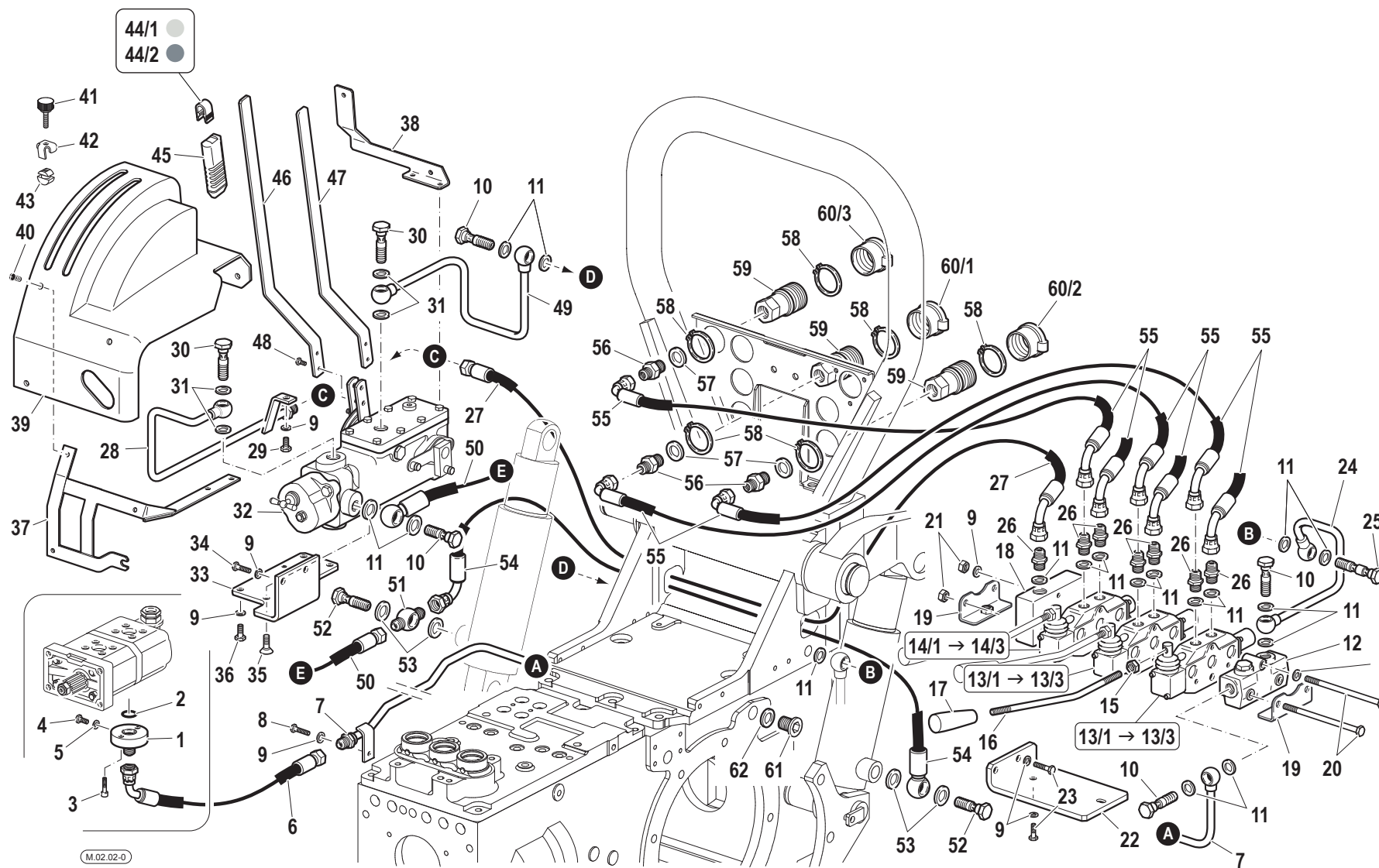
Pos.	Code	Q.ty	Description	Notes
31	F0824141000	4	COPPER WASHER 21x27/1,5	
32	58175191	1	DISTRIBUTOR	
33	56075161	1	FIXING BRACKET	
34	31112150	2	SCREW TE M8X20 UNI 5739 8G	
35	F0862481000	1	SCREW M8x16 UNI 5933	
36	31111151	3	SCREW TE M8X16 UNI 5739 8G	
37	59075253	1	FIXING BRACKET	
38	56075251	1	FIXING BRACKET	
39	57375192	1	COVER	
40	F0861973000	5	SCREW M6X10 COMBI	
41	58177761	1	KNOB	
42	56075197	1	CLIP	
43	56077760	1	SMALL BLOCK	
44/1	58175211	1	INSERT	
44/2	58175188	1	INSERT	
45	58175187	2	KNOB	
46	56075183	1	COMMAND LEVER	
47	56075184	1	COMMAND LEVER	
48	31112090	4	SCREW TE M6X16 UNI 5739 8G	
49	59075171	1	EXHAUST	
50	58075160	1	FLEXIBLE HOSE	
51	58170512	1	EYELET	
52	F0843110010	2	THREADED TERMINAL END M18x1,5	
53	F0824113000	4	COPPER WASHER 18X24/1,5	
54	58070513	1	FLEXIBLE HOSE	
55	58074958	6	FLEXIBLE HOSE	
56	F0835037000	6	NIPPLE	
57	F0824141000	6	COPPER WASHER 21x27/1,5	
58	F0801282000	12	SEEGER RING E 38 UNI 7435	
59	F0825980030	6	COUPLING	
60/1	F0852550010	2	GUARD	
60/2	F0852550020	2	GUARD	
60/3	F0852550030	1	GUARD	
61	56370081	1	PLUG	

SERIAL

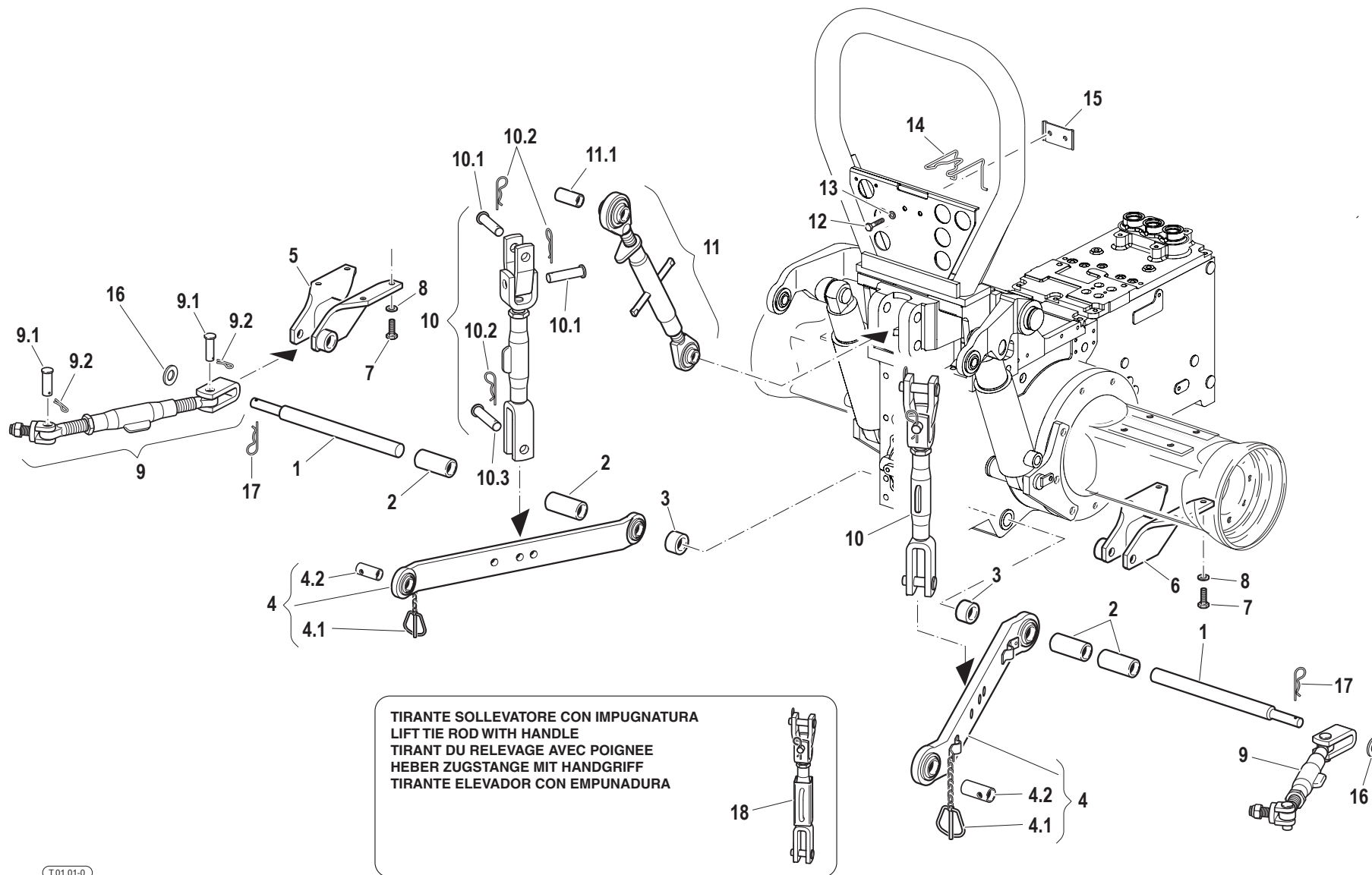
CONTROL VALVES WITHOUT FREE DISCHARGE VERSION

CODE REV

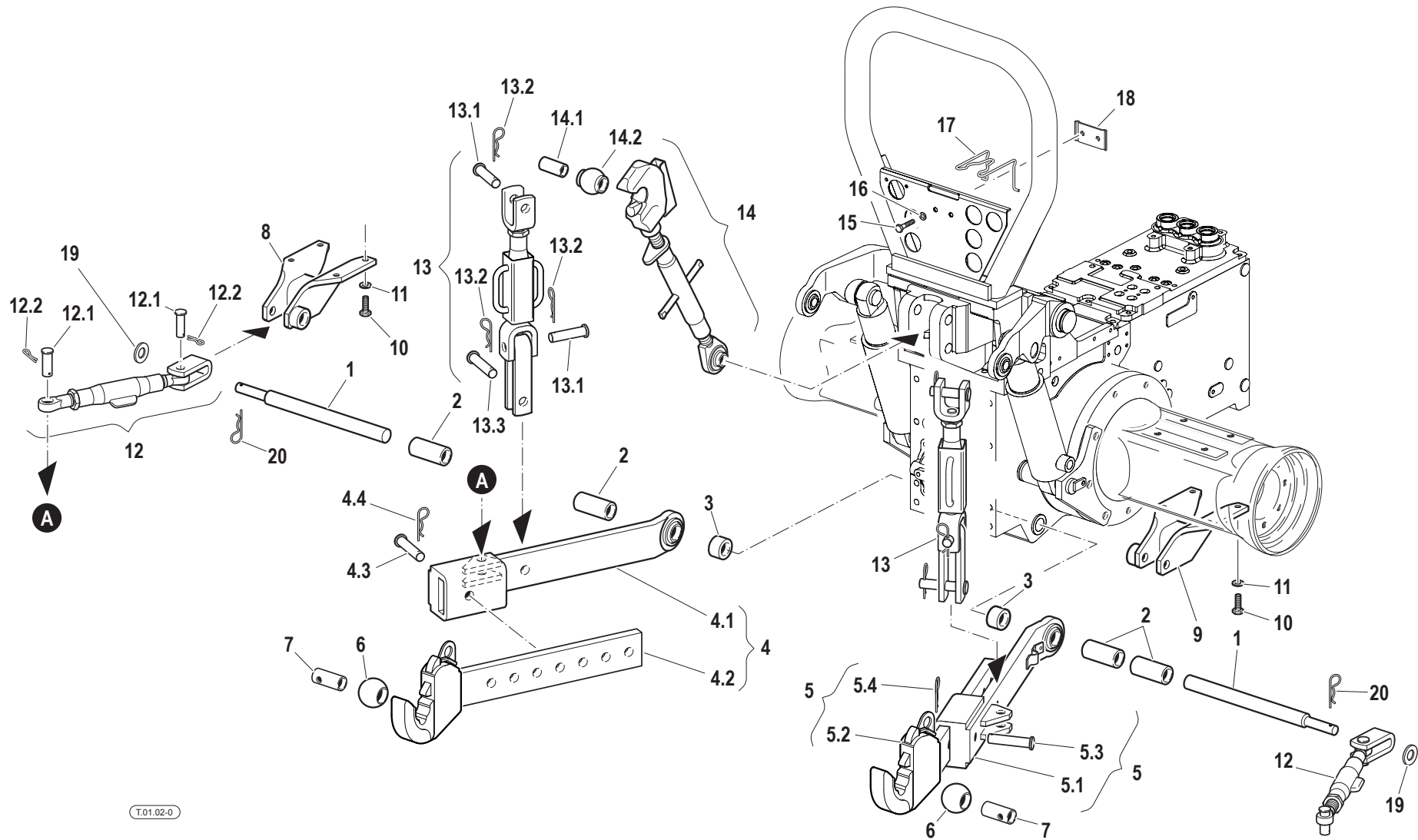
M.02.02_0_41339



Pos.	Code	Q.ty	Description	Notes
62	F0844273090	1	GASKET 22X28X1,5 CU 99,5	



Pos.	Code	Q.ty	Description	Notes
1	56577771	2	PIN	
2	56077773	4	SPACER	
3	56170392	2	SPACER	
4	58071322	2	BOTTOM LINK	
4.1	F0852107050	1	PISTON PIN	
4.2	58171021	1	REDUCING BUSH	
5	59075789	1	SUPPORT	
6	59075790	1	SUPPORT	
7	31112211	8	SCREW TE M10X30 UNI 5739	
8	F0843755000	8	WASHER 10	
9	58076354	2	ROD	
9.1	58070480	2	PIN	
9.2	34110029	2	SPLIT PIN	
10	58077205	2	ROD	
10.1	58071755	2	PIN	
10.2	F0851486000	3	SPLIT PIN	
10.3	58070482	1	PIN	
11	58075983	1	3-POINT HITCH	
11.1	56073059	1	REDUCING BUSH	
12	31112150	2	SCREW TE M8X20 UNI 5739 8G	
12	59078588	1	CONNECTING BOLT	
13	F0843643060	2	WASHER 8	
14	58170449	1	RETAINING SPRING	
15	59070448	1	FIXING BRACKET	
16	31411170	2	WASHER 17x30	
17	34130010	2	SPLIT PIN	
18	58077202	2	ROD	



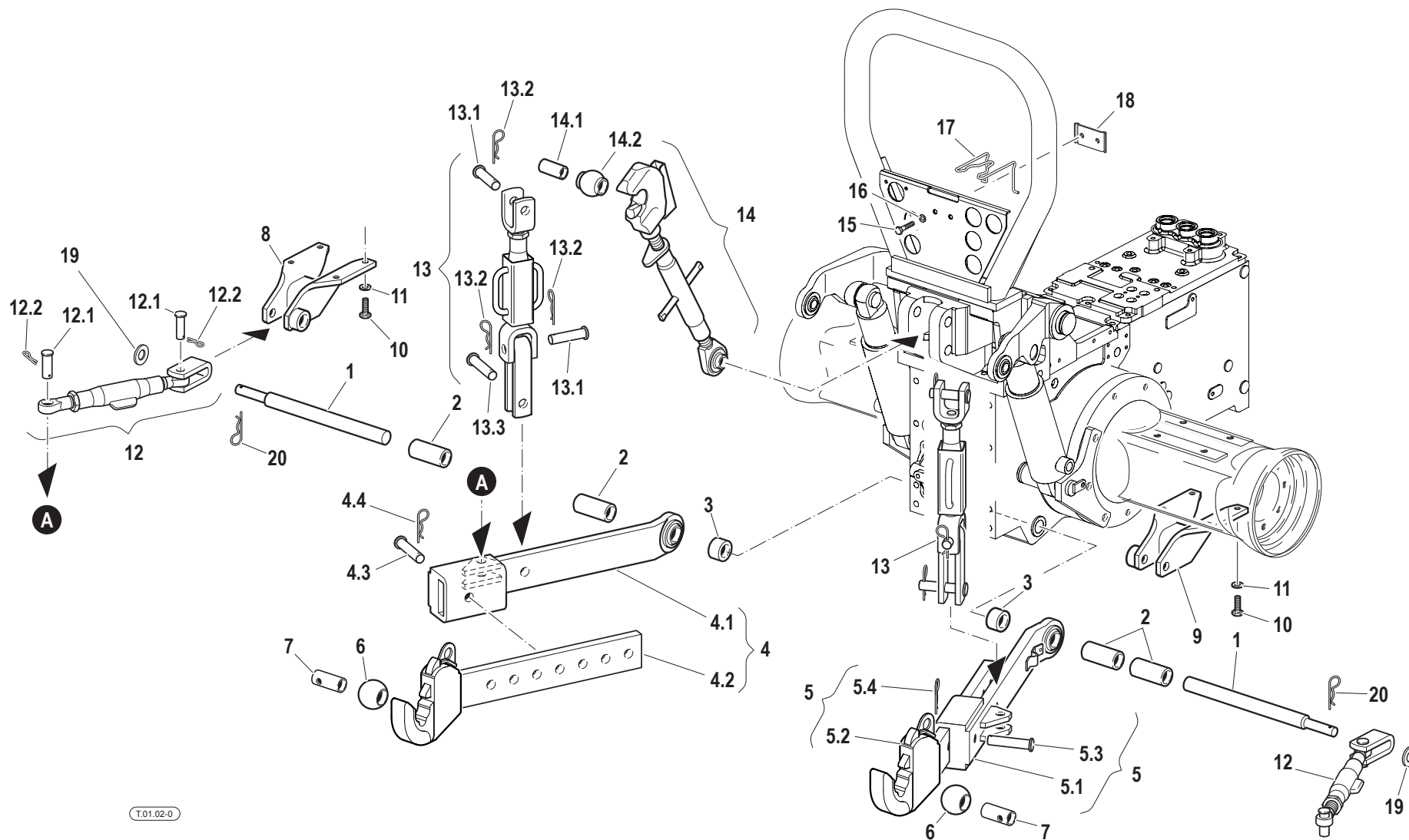
Pos.	Code	Q.ty	Description	Notes
1	56577771	2	PIN	
2	56077773	4	SPACER	
3	56170392	2	SPACER	
4	58076084	1	LEFT ARM	
4.1	58071864	1	TIP	
4.2	58076082	1	TIP	
4.3	56371101	1	PIN	
4.4	F0851486000	1	SPLIT PIN	
5	58076083	1	RIGHT ARM	
5.1	58071864	1	TIP	
5.2	58076081	1	TIP	
5.3	56371101	1	PIN	
5.4	F0851486000	1	SPLIT PIN	
6	58171000	2	JOINT	
7	58171021	2	REDUCING BUSH	
8	59075789	1	SUPPORT	
9	59075790	1	SUPPORT	
10	31112211	8	SCREW TE M10X30 UNI 5739	
11	F0843755000	8	WASHER 10	
12	58076356	2	ROD	
12.1	58070480	2	PIN	
12.2	34110029	2	SPLIT PIN	
13	58077198	2	ROD	
13.1	58071755	2	PIN	
13.2	F0851486000	2	SPLIT PIN	
13.3	56371101	1	PIN	
14	58075987	1	3-POINT HITCH	
14.1	56073059	1	REDUCING BUSH	
14.2	58173072	1	JOINT	
15	31112150	2	SCREW TE M8X20 UNI 5739 8G	
16	F0843643060	2	WASHER 8	
17	58170449	1	RETAINING SPRING	
18	59070448	1	FIXING BRACKET	
19	31411170	2	WASHER 17x30	

SERIAL

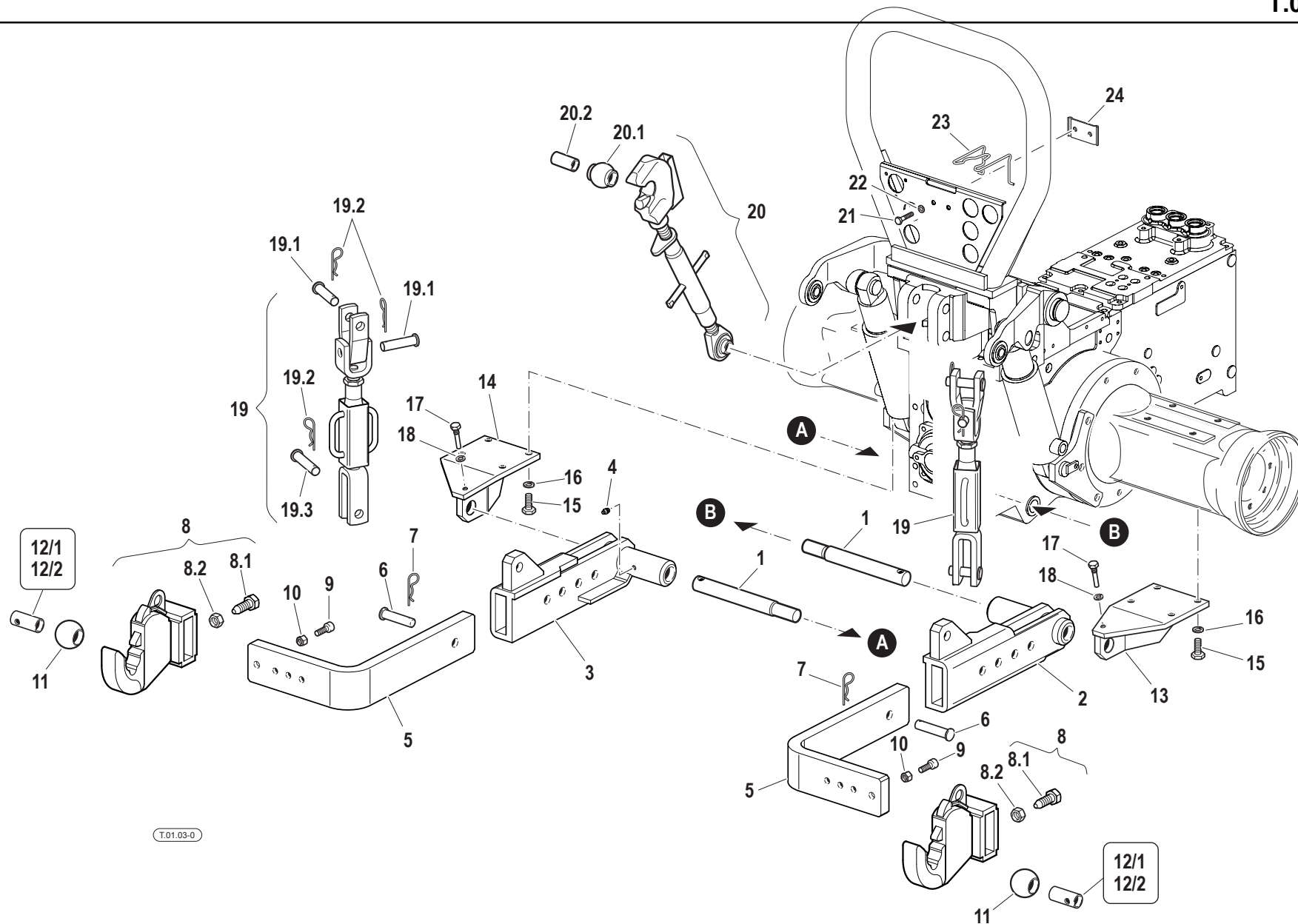
IMPLEMENTS ATTACHMENT - ADJUSTABLE ARMS WITH QUICK HITCHES

CODE REV

T.01.02_0_41578



Pos.	Code	Q.ty	Description	Notes
20	34130010	2	SPLIT PIN	



T.01.03-0

12/1
12/2

Pos.	Code	Q.ty	Description	Notes
1	56575035	2	PIN	
2	59079186	1	HOLDER	
3	59079187	1	HOLDER	
4	F0826056000	2	LUBRICATOR M10 UNI 7663A	
5	56175848	2	ARM	
6	56375954	4	PIN	
7	F0851486000	4	SPLIT PIN	
8	59076100	2	DEVICE COUPLING	
8.1	56275953	1	SCREW	
8.2	31211200	1	NUT M20	
9	F0863302000	2	SCREW M10X30 UNI 5931	
10	31211100	2	NUT M10	
11	58171000	2	JOINT	
12/1	58171021	2	REDUCING BUSH	
12/2	58177978	2	BUSHING	
13	59077383	1	SUPPORT	
14	59077382	1	SUPPORT	
15	31112211	8	SCREW TE M10X30 UNI 5739	
16	F0843755000	8	WASHER 10	
17	56075036	2	SCREW	
18	F0843755000	2	WASHER 10	
19	58077325	2	ROD	
19.1	58071755	2	PIN	
19.2	F0851486000	4	SPLIT PIN	
19.3	58070482	2	PIN	
20	58075987	1	3-POINT HITCH	
20.1	58173072	1	JOINT	
20.2	56073059	1	REDUCING BUSH	
21	31112150	2	SCREW TE M8X20 UNI 5739 8G	
22	F0843643060	2	WASHER 8	
23	58170449	1	RETAINING SPRING	
24	59070448	1	FIXING BRACKET	

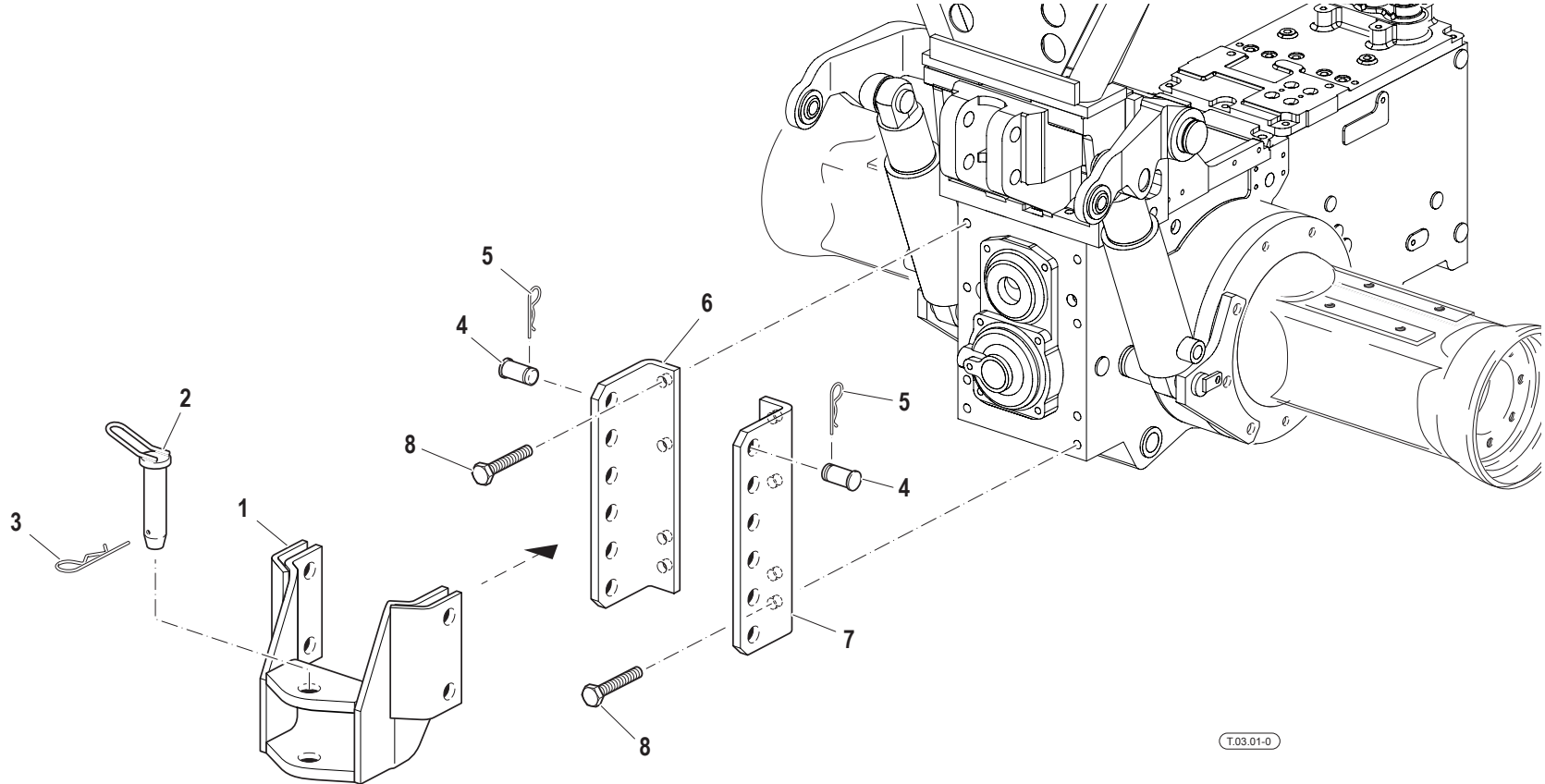
SERIAL

IMPLEMENTS ATTACHMENT - ADJUSTABLE ARMS WITH QUICK HITCHES

CODE REV

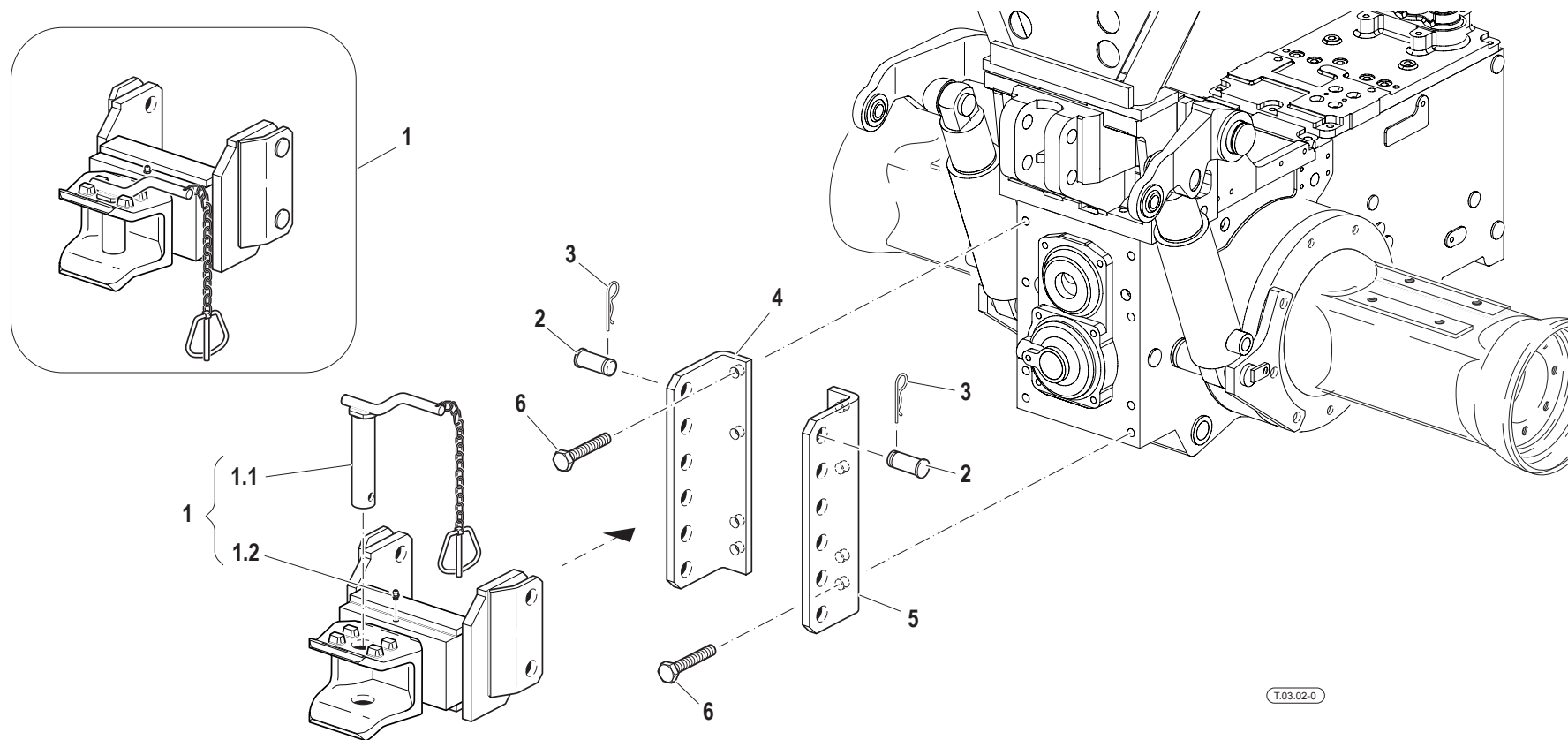
T.01.03_0_41614

PULL HOOK - STANDARD

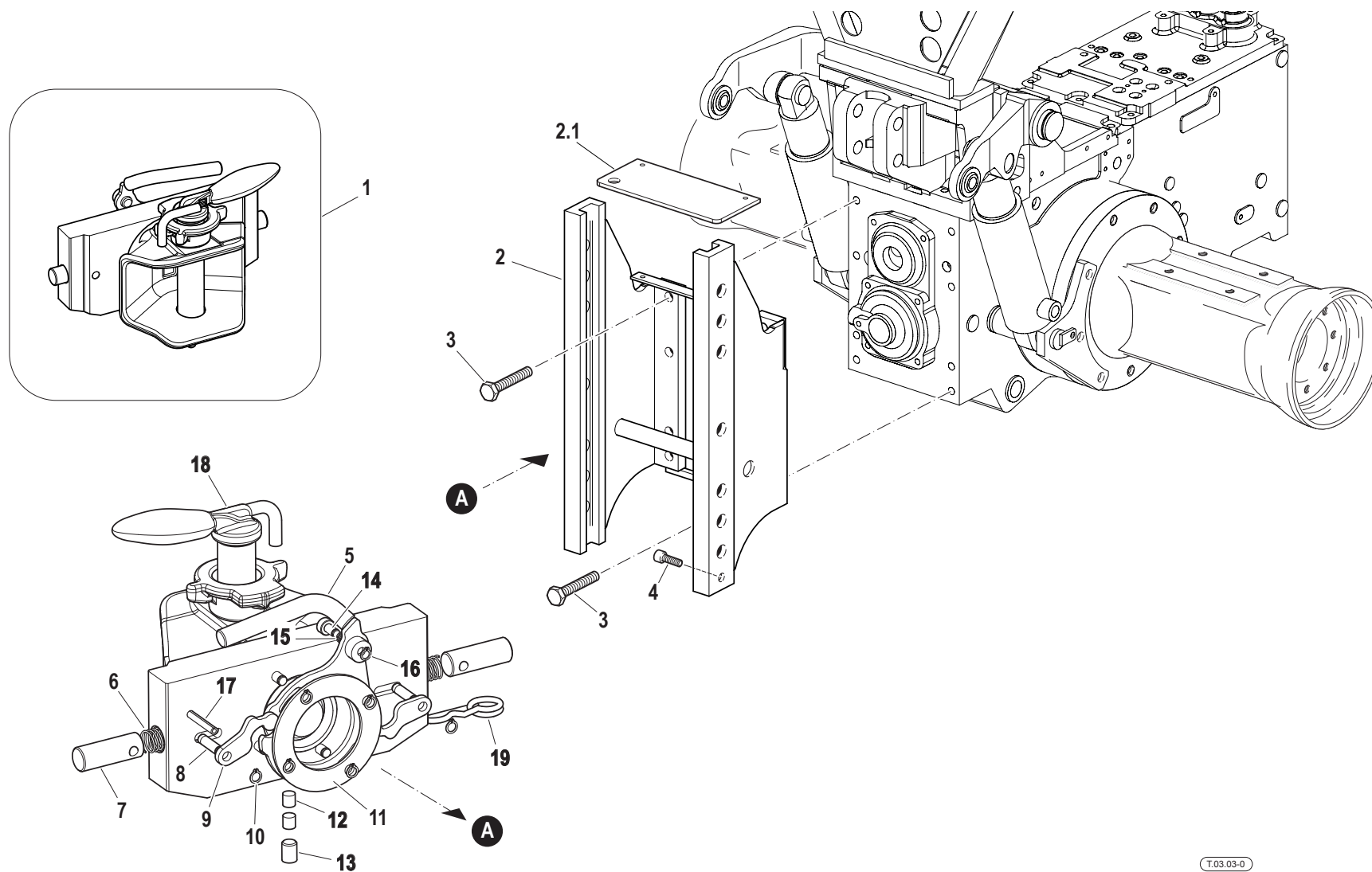


T.03.01-0

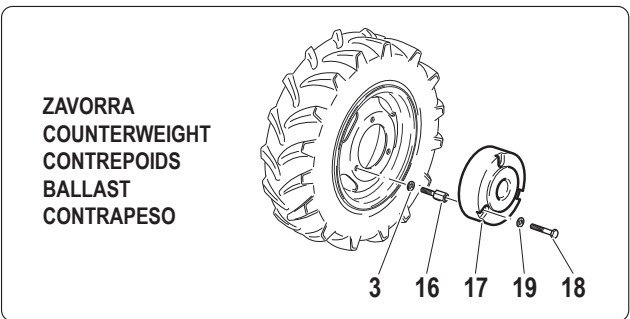
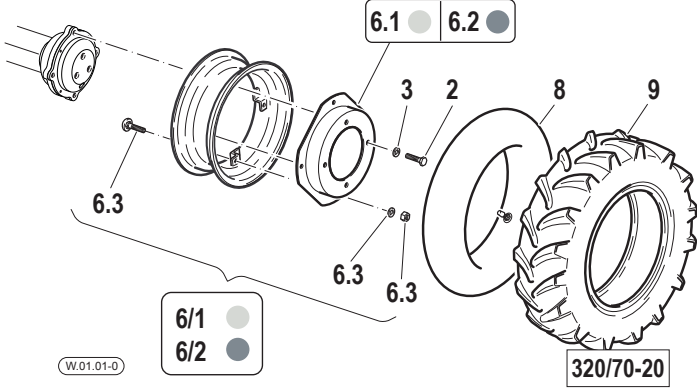
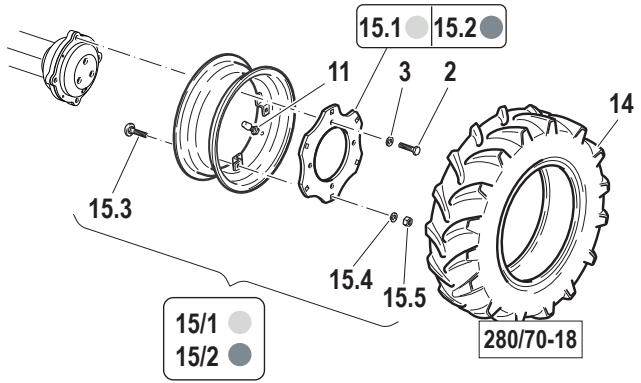
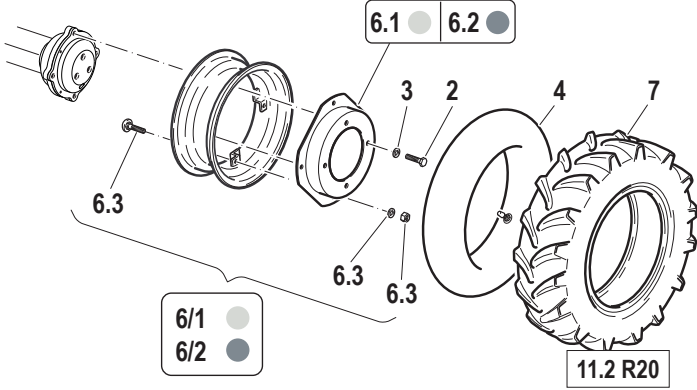
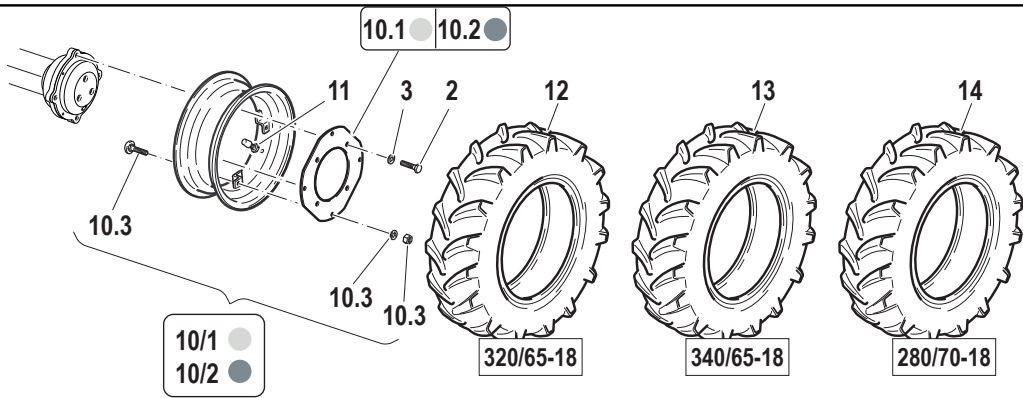
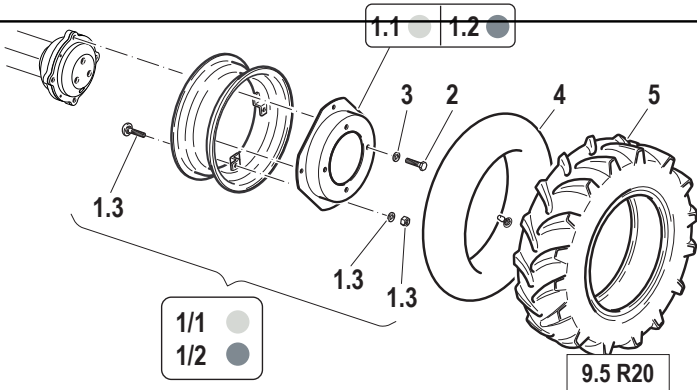
Pos.	Code	Q.ty	Description	Notes
1	59070702	1	TOW HOOK	
2	F0808060100	1	LATCH D.28X117	
3	F0851497000	1	SPLIT PIN	
4	56370696	4	PIN	
5	F0851486000	4	SPLIT PIN	
6	56170704	1	SUPPORT	
7	56170705	1	SUPPORT	
8	F0864180000	8	SCREW M14X30 UNI 5740	



Pos.	Code	Q.ty	Description	Notes
1	59375009	1	TOW HOOK	
1.1	59075012	1	PIN	
1.2	F0826056000	1	LUBRICATOR M10 UNI 7663A	
2	56375008	4	PIN	
3	F0851486000	4	SPLIT PIN	
4	56170704	1	SUPPORT	
5	56170705	1	SUPPORT	
6	F0864180000	8	SCREW M14X30 UNI 5740	



Pos.	Code	Q.ty	Description	Notes
1	59377734	1	CLEVIS	
2	59377730	1	CHASSIS FRAME	
2.1	58177732	1	GUARD	
3	F0864222010	8	SCREW M14X1,5/40 5738	
4	31152103	2	SCREW TCEI M10X25 UNI 5931	
5	58177736	1	LEVA SBLO.COMP.(81.0121.01.03)	
6	58177737	2	SPRING	
7	58177738	2	PIN	
8	58177739	6	PIN	
9	58177740	2	CONNECTING ROD	
10	F0801028000	6	RING	
11	58177741	1	DISC	
12	58177742	2	PAD	
13	F0863672010	1	SCREW	
14	58177743	1	PIN	
15	58177744	1	SPRING	
16	F0801022000	1	SEEGER RING	
17	34211064	1	ROLL PIN	
18	58177745	1	PIN	
19	58177746	1	SPLIT PIN	



W.01.01-0

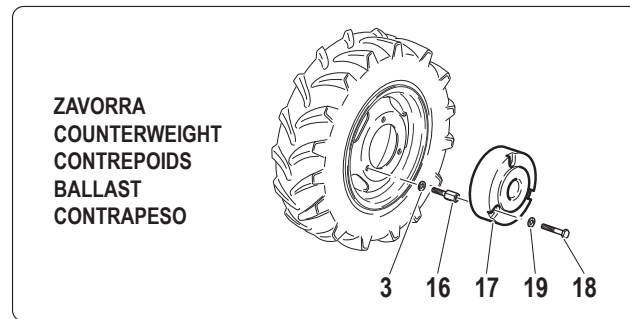
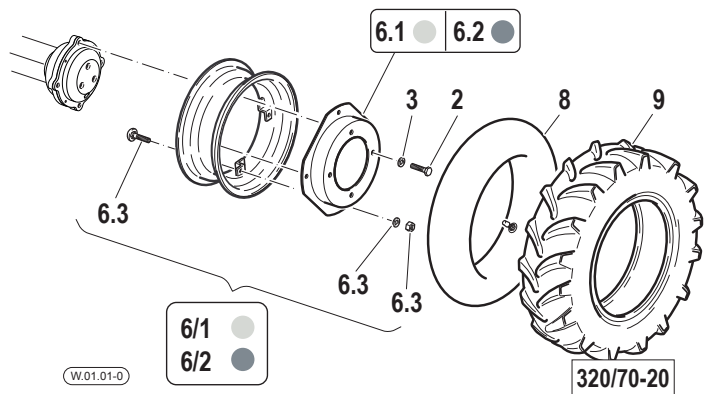
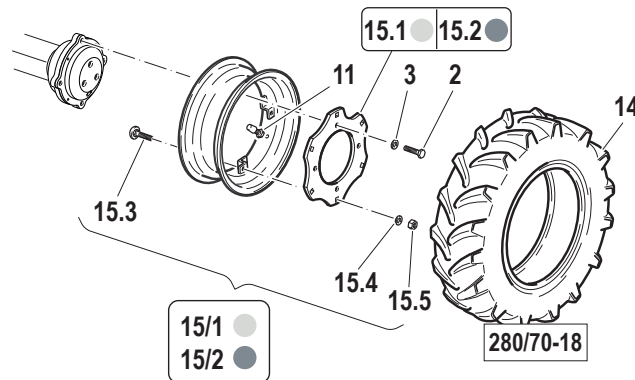
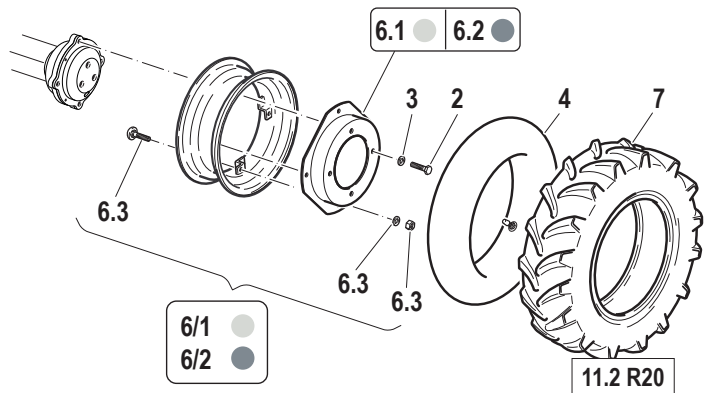
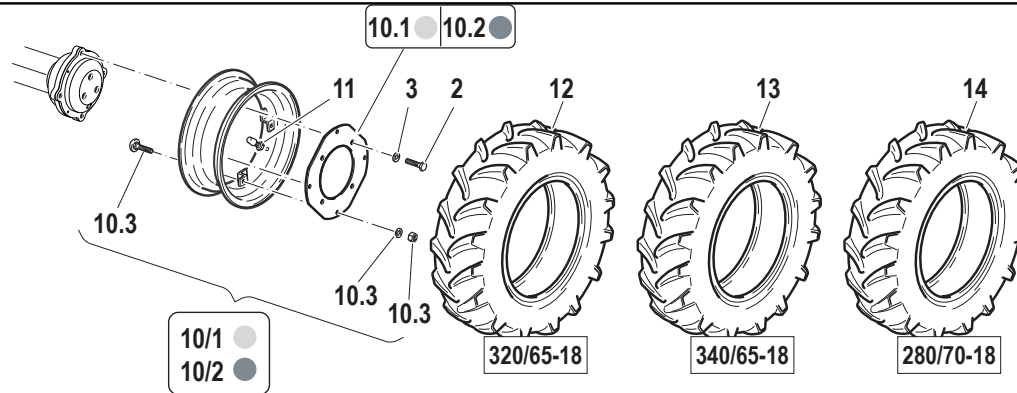
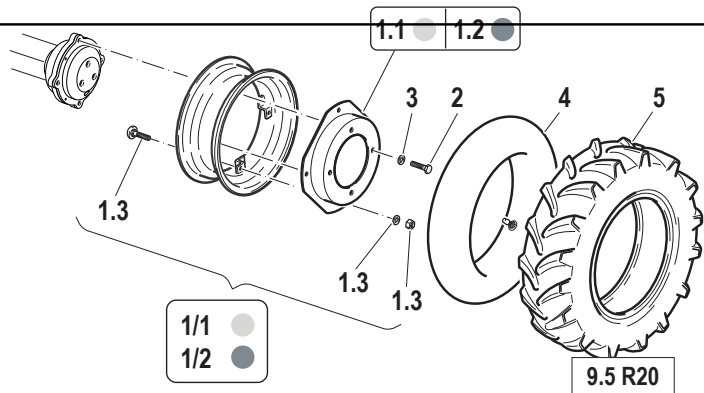
Pos.	Code	Q.ty	Description	Notes
1.1	58170181	1	DISC	
1/1	59270304	1	RIM	
1/2	59273925	1	RIM	
1.2	58175965	1	DISC	
1.3	59900361	1	KIT	
2	F0864410500	4	SCREW M18X1,5/45 U/5740	
3	F0844150000	1	WASHER D.30x18,5/5	
4	F0848920000	1	INNER TUBE	
5	F0848664000	1	TYRE 9.5-R20	
6.1	58176323	1	FLANGIA CERCHIO W10X20 RAL1003	
6/1	59276320	1	RIM	
6/2	59276321	1	RIM	
6.2	58176324	1	FLANGIA CERCHIO W10X20 RAL9006	
6.3	59900361	1	KIT	
7	F0848680000	1	TYRE 11.2-R20	
8	F0848940000	1	INNER TUBE	
9	F0848679500	1	TYRE 320/70R20	
10.1	58175630	1	RIM	
10/1	59275632	1	RIM	
10/2	59275633	1	RIM	
10.2	58175966	1	RIM	
10.3	59900361	1	KIT	
11	F0150010905	1	VALVE	
12	F0848679600	1	TYRE	
13	P000000009122	1	TYRE 340/65R18	
14	F0848655100	1	TYRE 280/70R18	
15.1	58175393	1	FLANGIA CERCHIO W8X18 RAL 1003	
15/1	59277990	1	RIM	
15/2	59277991	1	RIM	
15.2	58175967	1	FLANGIA CERCHIO W8X18 RAL 9006	
15.3	F0864357050	6	SCREW M16x1,5/40	
15.4	F0844082000	6	WASHER 17X32/4	
15.5	F0814793010	6	HEXAGON NUT M16X1.5	
16	56370539	4	SCREW	

SERIAL

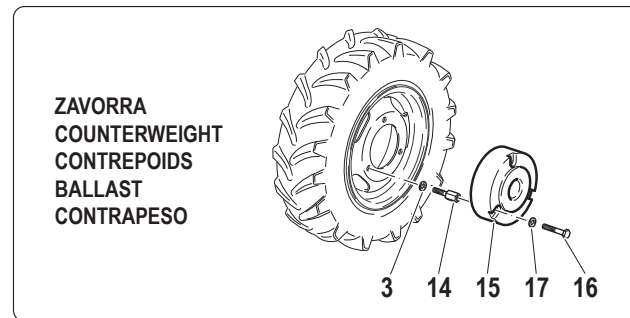
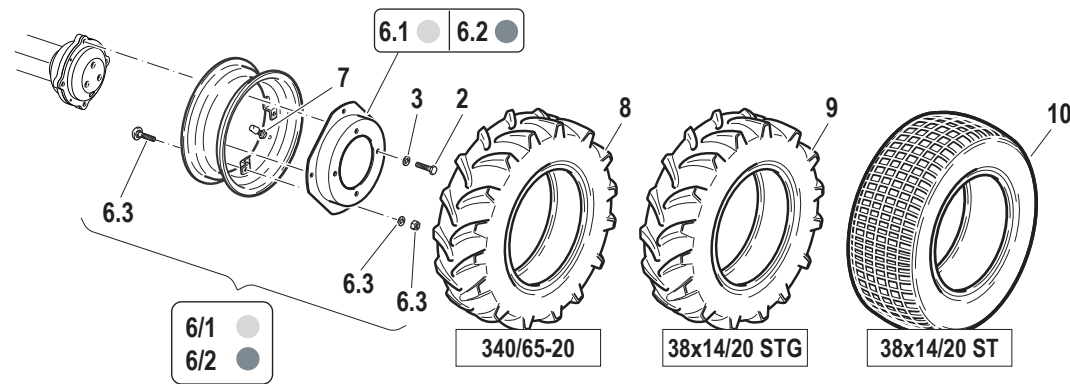
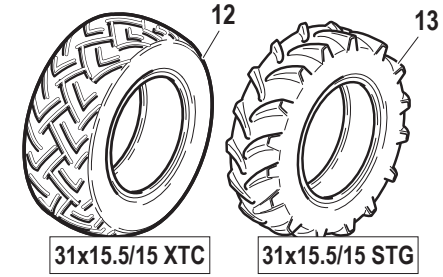
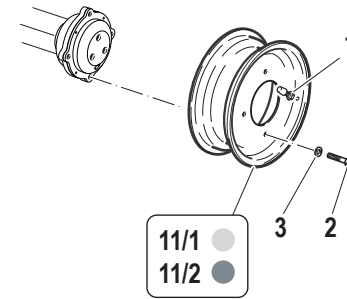
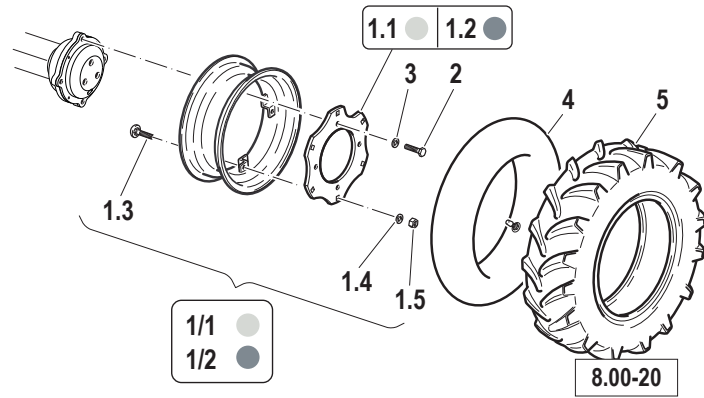
WHEELS AND TYRES (TABLE 1/2)

CODE REV

W.01.01_0_44125



Pos.	Code	Q.ty	Description	Notes
17	51177257	1	BALLAST	
18	F0864314000	4	SCREW	
19	F0843993060	4	WASHER	



Pos.	Code	Q.ty	Description	Notes
1.1	56177416	1	DISCO CERCHIO 5,50X20 RAL 1003	
1/1	59277415	1	RIM	
1.2	56177417	1	DISCO CERCHIO 5,50X20 RAL 9006	
1/2	59277414	1	RIM	
1.3	F0864357100	5	SCREW M16x1,5x120 UNI5731	
1.4	F0844084000	5	WASHER D.35x17/4	
1.5	31221161	5	NUT M16X1,5	
2	F0864410500	4	SCREW M18X1,5/45 U/5740	
3	F0844150000	4	WASHER D.30x18,5/5	
4	F0848920000	1	INNER TUBE	
5	39118528	1	TYRE 8.00X20/8	
6.1	58176323	1	FLANGIA CERCHIO W10X20 RAL1003	
6/1	59276965	1	RIM	
6/2	59276964	1	RIM	
6.2	58176324	1	FLANGIA CERCHIO W10X20 RAL9006	
6.3	59900361	1	KIT	
7	F0150010905	1	VALVE	
8	F0848679700	1	TYRE 340/65 R20	
9	F0848683500	1	TYRE 38X14.00-20 8PR	
10	F0848683000	1	TYRE	
11/1	58178571	1	RIM	
11/2	58178572	1	RIM	
12	F0848681600	1	TYRE 31X15.5-15 8PR	
13	F0848681605	1	TYRE 31X15.5-15	
14	56370539	4	SCREW	
15	51177257	1	BALLAST	
16	F0864314000	4	SCREW	
17	F0843993060	4	WASHER	

Pos.	Code	Q.ty	Description	Notes
1	59900378	1	CHASSIS FRAME	
2	59900379	1	STRIKER PLATE	
3	59900380	1	TANK SUPPORT	
4	59900381	2	ROD	
5	59900006	2	SUMP	
6	59900007	1	FRONT GLASS	
7	59900382	2	GASKET	
8	59900009	1	TANK	
9	59900010	1	TANK COVER	
10	59900011	1	ELECTRIC PUMP	
11	59900012	1	TANK SUPPORT	
12	59900383	4	SHIM	
13	59900013	1	KNOB	
15	59900386	2	FOAM RUBBER	
16	59900387	1	PIPE	
17	59900388	1	PIPE FITTING	
18	59900389	1	TANK	
19	59900028	2	SMALL PLATE	
20	59900390	4	ALUMINIUM GASKET WASHER M12X18	
21	59900391	1	GASKET	
22	31112093	4	SCREW TE M6X20	
23	59900392	2	GASKET	
24	59900393	2	ELASTIC WASHER M8 D.17MM	
25	59900026	2	CLEVIS	
26	59900027	2	SHIM M12X36	
27	59900394	2	PIN HOLDER	
28	59900029	1	PLATE	
29	59900030	2	RIVET	
30	59900395	2	RIBBED SCREW 6,5X20	
31	59900396	1	HEXAGON SCREW M6X15	
32	59900397	2	RIVET	
33	59900034	2	PIN	
34	P000000005545	2	SCREW	
35	59900398	8	WASHER M6X18	

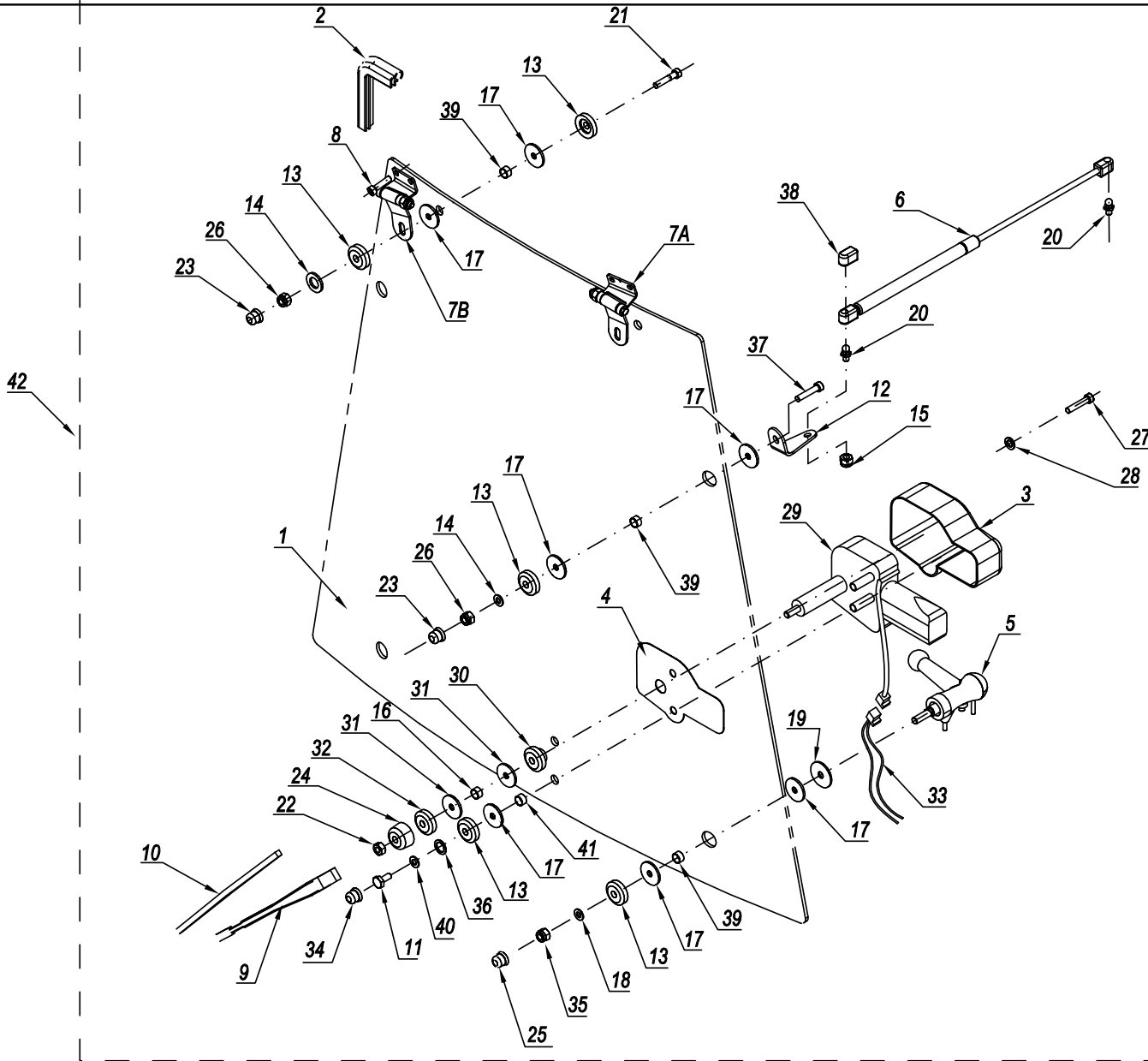
SERIAL

FRAME "LOCHMANN"

CODE REV

Y.01.01_0_44535

Pos.	Code	Q.ty	Description	Notes
36	59900399	1	FOAM RUBBER	
37	59900035	4	SCREW 6X20	
38	31411064	6	WASHER 6,4x12,5	
39	31241060	6	HEXAGON SELFLOCK NUT M6	
40	59900109	2	NUT COVER	
41	59900037	5	NUT COVER	
14a	59900384	1	TRIANGLE	
14b	59900385	1	TRIANGLE	



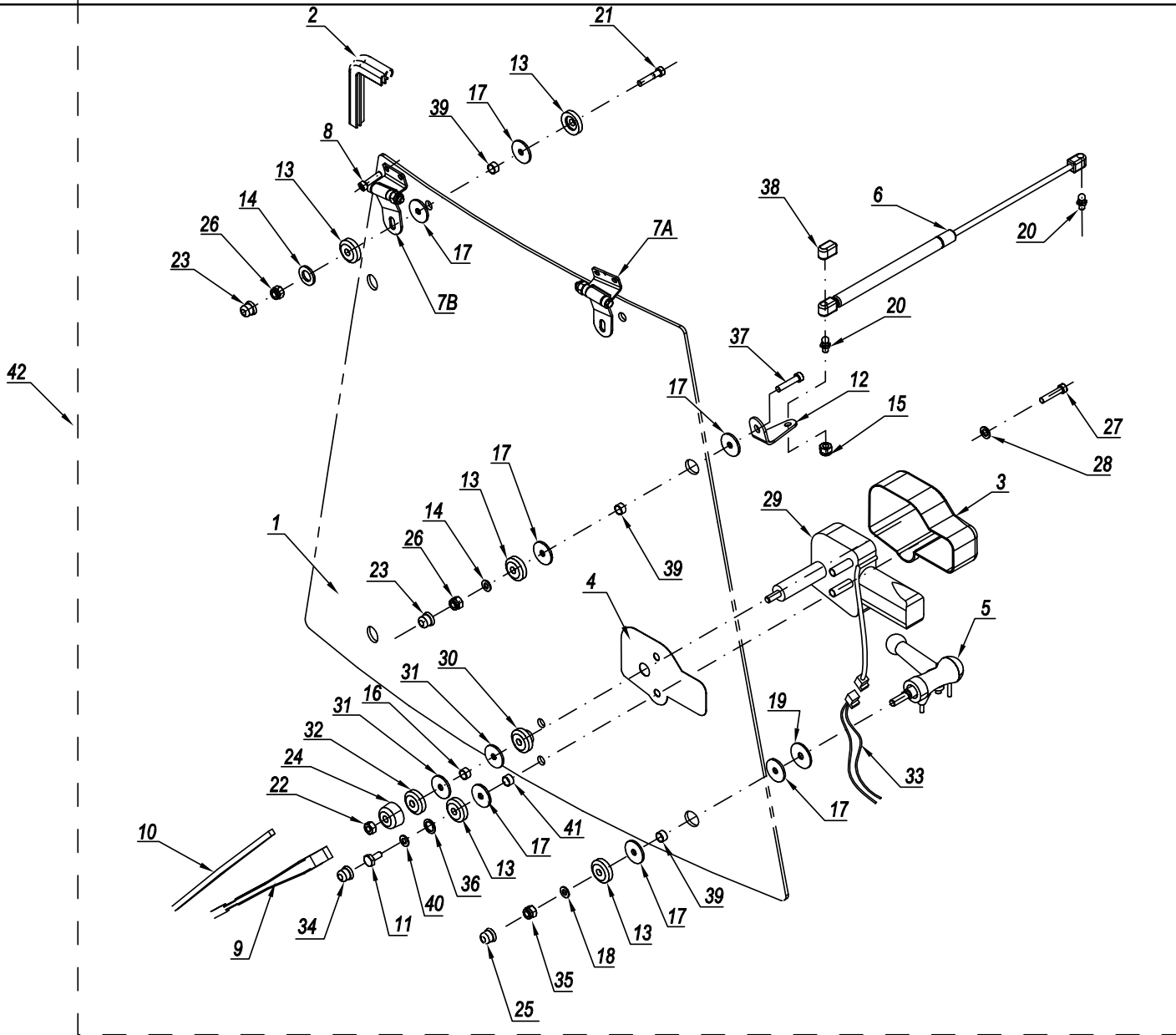
Pos.	Code	Q.ty	Description	Notes
1	59900090	1	FRONT GLASS	
2	59900400	1	GASKET	
3	59900401	1	COVER	
4	59900093	1	DECAL	
5	59900094	2	HANDLE	
6	59900095	2	PNEUMATIC SPRING	
8	31152081	4	SCREW TCEI M8X20 UNI 5931	
9	59900098	1	WIPER ARM	
10	59900098	1	WIPER ARM	
11	F0862261010	1	HEXAGON HEAD SCREW	
12	59900402	2	SUPPORT	
13	59900102	9	PLASTIC WASHER 10x36/8	
14	31411084	4	WASHER 8,4x17	
15	31241081	2	HEXAGON SELFLOCK NUT	
16	59900403	1	SPACER	
17	59900074	13	WASHER	
18	31411105	1	WASHER 10,5x21	
19	59900404	2	WASHER FOR SUPPORTING M10X36	
20	59900106	4	JOINT	
21	31122805	2	SCREW M8X40 UNI 5731	
22	31211060	1	HEXAGONAL NUT M8	
23	59900109	4	NUT COVER	
24	59900107	1	PIN COVER	
25	59900108	2	NUT COVER	
26	31241080	4	HEXAGON SELFLOCK NUT M8	
27	59900405	2	SCREW	
28	59900406	2	WASHER FOR FIXTING	
29	59900092	1	WIPER MOTOR	
30	59900407	1	WASHER M16 D.30MM	
31	59900408	2	RUBBER WIPER MOTOR WASHER	
32	59900409	1	CONICAL WASHER FOR WIPER MOTOR	
33	59900410	1	CABLE	
34	59900037	1	NUT COVER	
35	31241100	1	SELFLOCK HEXAGON NUT M10	

SERIAL

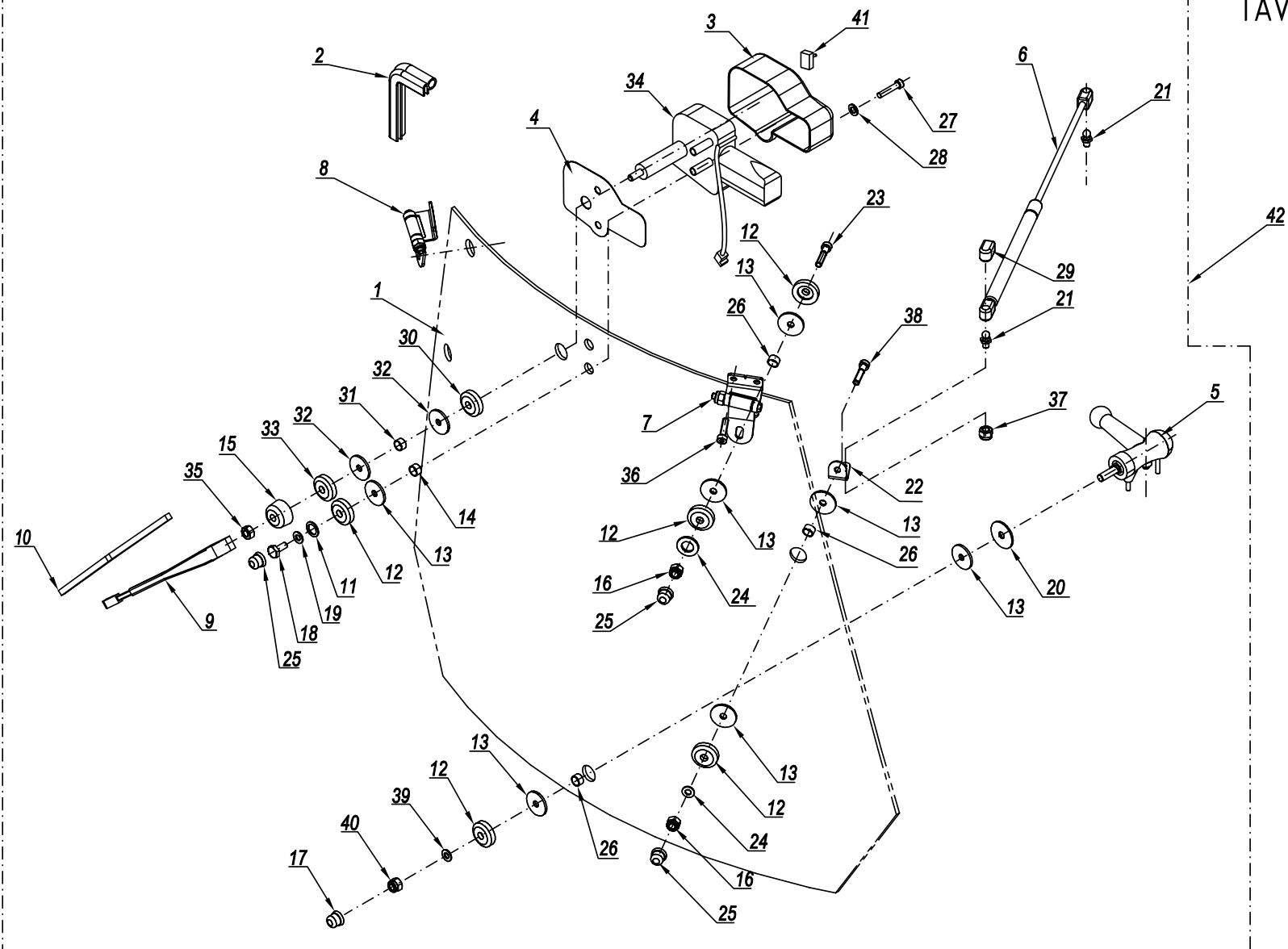
FRONT GLASS "LOCHMANN"

CODE REV

Y.01.02_0_44621



Pos.	Code	Q.ty	Description	Notes
36	59900411	1	WASHER M6X24	
37	58090333	2	SCREW	
38	59900119	4	HEAD	
39	59900103	6	RING	
40	31411064	1	WASHER 6,4x12,5	
41	59900138	1	NYLON RING HINGE 14X13	
42	59900412	1	FRONT GLASS	
7a	59900096	1	LH HINGE	
7b	59900097	1	RH HINGE	



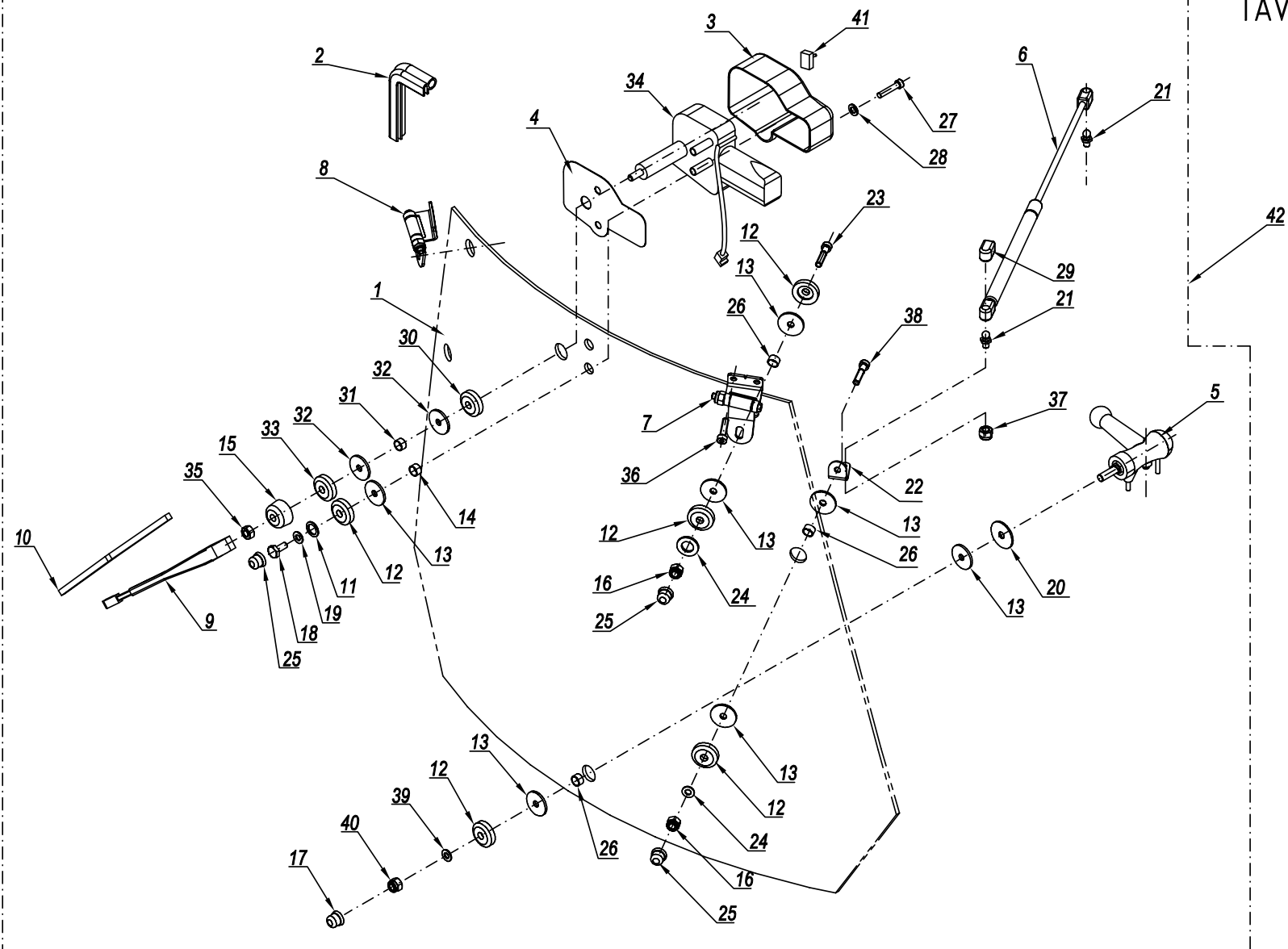
Pos.	Code	Q.ty	Description	Notes
1	59900132	1	REAR GLASS	
2	59900413	1	GLASS GASKET	
3	59900414	1	COVER	
4	59900093	1	DECAL	
5	59900094	1	HANDLE	
6	59900095	2	PNEUMATIC SPRING	
8	59900136	1	LH HINGE	
9	59900098	1	WIPER ARM	
10	59900098	1	WIPER ARM	
11	59900411	1	WASHER M6X24	
12	59900102	8	PLASTIC WASHER 10x36/8	
13	59900074	9	WASHER	
14	59900138	1	NYLON RING HINGE 14X13	
15	59900107	1	PIN COVER	
16	31241080	4	HEXAGON SELFLOCK NUT M8	
17	59900108	1	NUT COVER	
18	F0862261010	1	HEXAGON HEAD SCREW	
19	31411064	1	WASHER 6,4x12,5	
20	59900407	1	WASHER M16 D.30MM	
21	59900106	4	JOINT	
22	59900402	2	SUPPORT	
23	31122805	2	SCREW M8X40 UNI 5731	
24	31411084	4	WASHER 8,4x17	
25	59900109	4	NUT COVER	
26	59900103	5	RING	
27	59900405	2	SCREW	
28	59900406	2	WASHER FOR FIXTING	
29	59900119	4	HEAD	
30	59900407	1	WASHER M16 D.30MM	
31	59900403	1	SPACER	
32	59900408	2	RUBBER WIPER MOTOR WASHER	
33	59900409	1	CONICAL WASHER FOR WIPER MOTOR	
34	59900134	1	WIPER MOTOR	
35	31211060	1	HEXAGONAL NUT M8	

SERIAL

REAR GLASS "LOCHMANN"

CODE REV

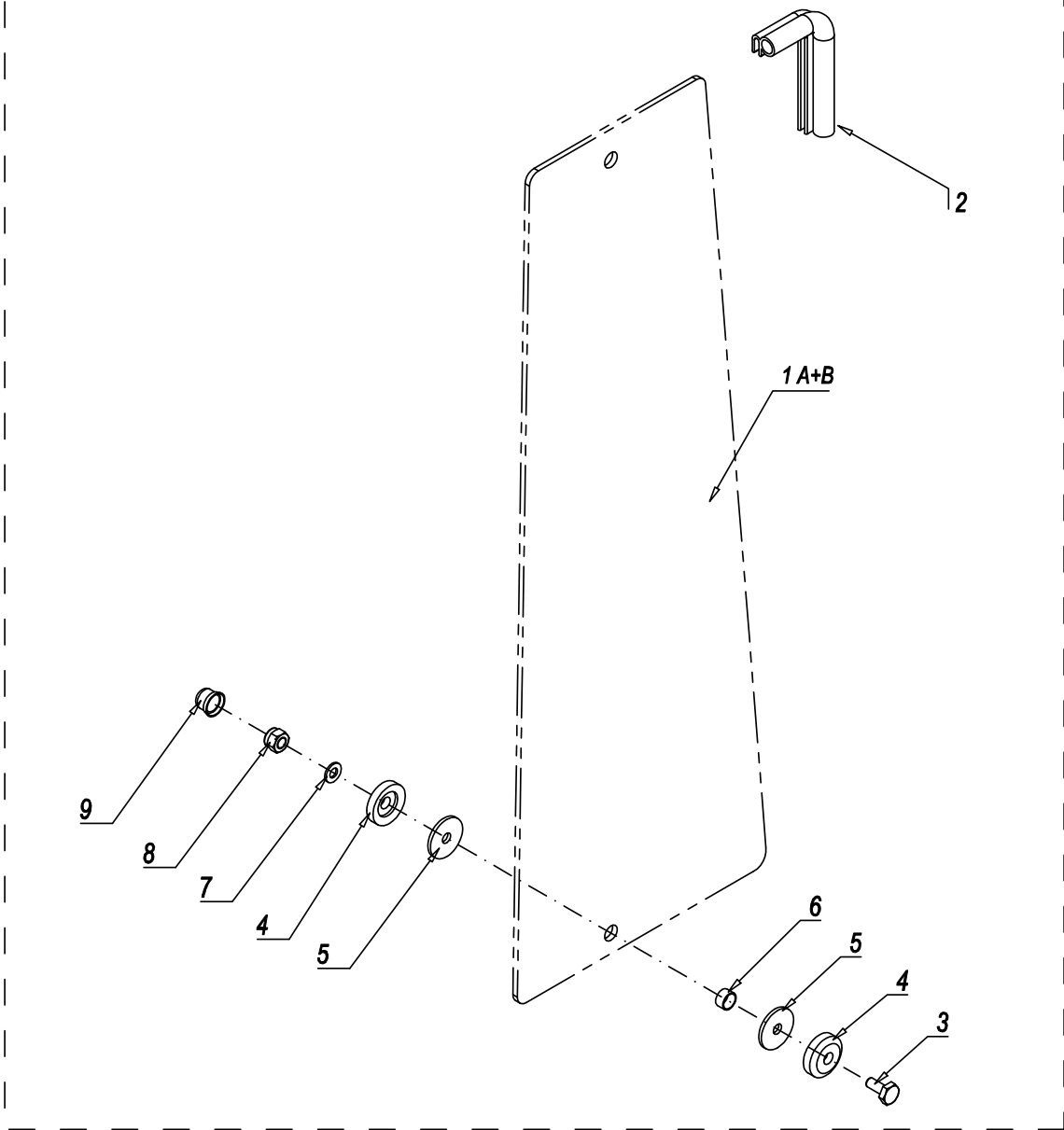
Y.01.03_0_44709



Pos.	Code	Q.ty	Description	Notes
36	31152081	4	SCREW TCEI M8X20 UNI 5931	
37	31241081	2	HEXAGON SELFLOCK NUT	
38	58090333	2	SCREW	
39	31411105	1	WASHER 10,5x21	
40	31241100	1	SELFLOCK HEXAGON NUT M10	
41	59900415	1	SWITCH	
42	59900416	1	REAR GLASS	
7a	59900135	1	CERNIERA VETRO POSTERIORE DX	

SIDE GLASS "LOCHMANN"

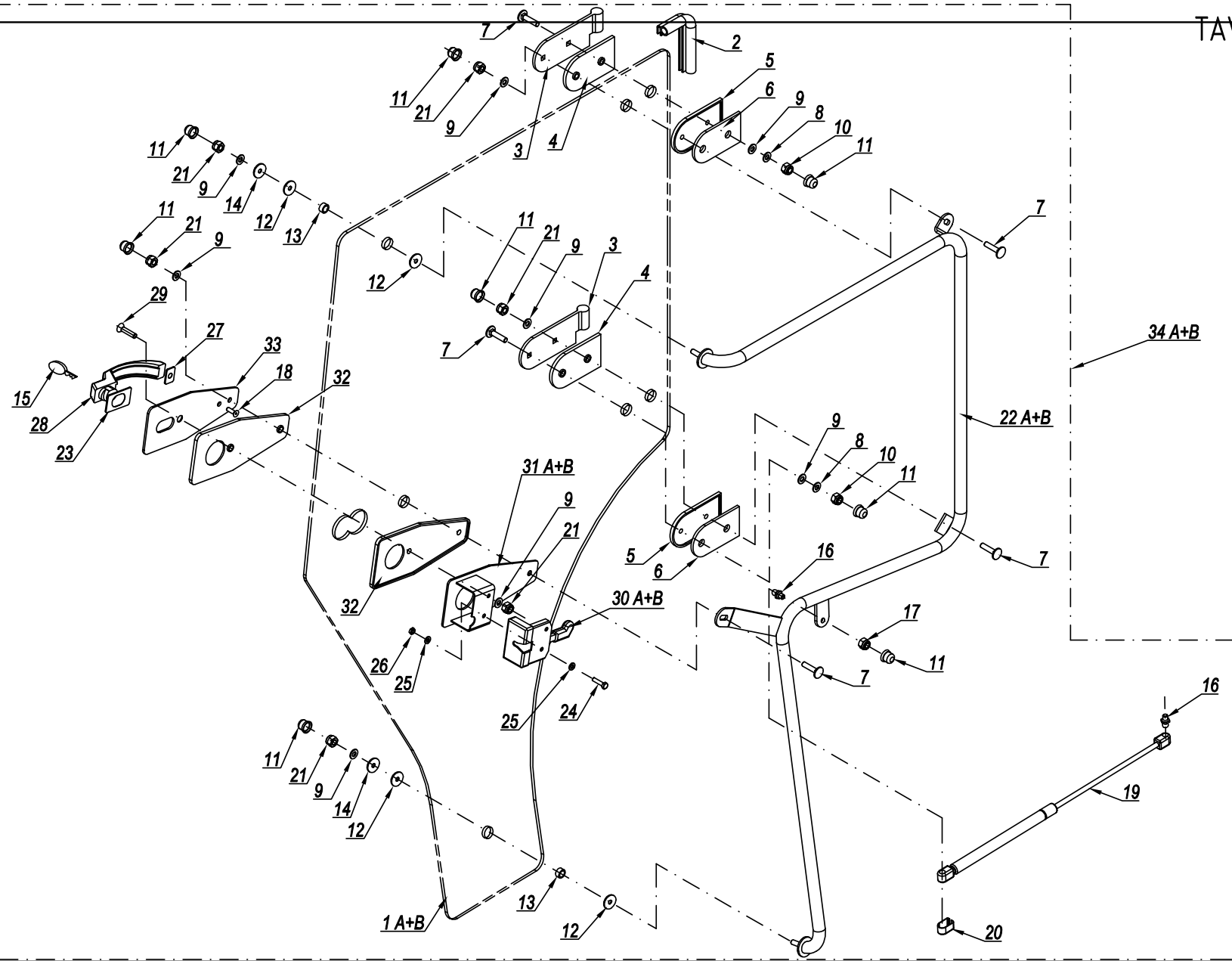
TAV. IV



Pos.	Code	Q.ty	Description	Notes
2	59900419	1	GLASS GASKET	
3	31122805	2	SCREW M8X40 UNI 5731	
4	59900102	4	PLASTIC WASHER 10x36/8	
5	59900074	4	WASHER	
6	59900103	2	RING	
7	31411084	2	WASHER 8,4x17	
8	31241080	2	HEXAGON SELFLOCK NUT M8	
9	59900109	2	NUT COVER	
1a	59900417	1	RH SIDE GLASS	
1b	59900418	1	LH SIDE GLASS	
10a	59900420	1	RH SIDE GLASS	
10b	59900421	1	LH SIDE GLASS	

LEFT/RIGHT DOOR "LOCHMANN"

TAV. V



Pos.	Code	Q.ty	Description	Notes
2	59900423	1	GLASS GASKET	
3	59900424	2	RH HINGE	
4	59900425	2	GASKET	
5	59900426	2	GASKET	
6	59900427	2	PLATE	
7	58090333	4	SCREW	
8	59900117	2	WASHER 11,4 M8	
9	31411084	8	WASHER 8,4x17	
10	31211060	2	HEXAGONAL NUT M8	
11	59900109	9	NUT COVER	
12	59900074	4	WASHER	
13	59900103	2	RING	
14	59900102	2	PLASTIC WASHER 10x36/8	
15	59900428	1	KEY	
16	59900106	2	JOINT	
17	31241081	1	HEXAGON SELFLOCK NUT	
18	59900429	1	NYLON DISTANCE RING	
19	59900118	1	PNEUMATIC SPRING	
1a	59900377	1	GLASS	
1b	59900422	1	RH DOORGLASS	
20	59900119	2	HEAD	
21	31241080	5	HEXAGON SELFLOCK NUT M8	
23	59900131	1	GASKET	
24	59900432	2	HEXAGON HEAD SCREW	
25	31411064	4	WASHER 6,4x12,5	
26	31241060	2	HEXAGON SELFLOCK NUT M6	
27	59900130	1	GASKET	
28	59900129	1	DOOR HANDLE	
29	F0862728000	1	SCREW M8x30 UNI 5933	
32	59900127	1	GASKET	
33	59900128	1	PLATE	
22a	59900430	1	DOOR HANDLE	
22b	59900431	1	DOOR HANDLE	
30a	59900123	1	LOCK SMALL BLOCK	

SERIAL

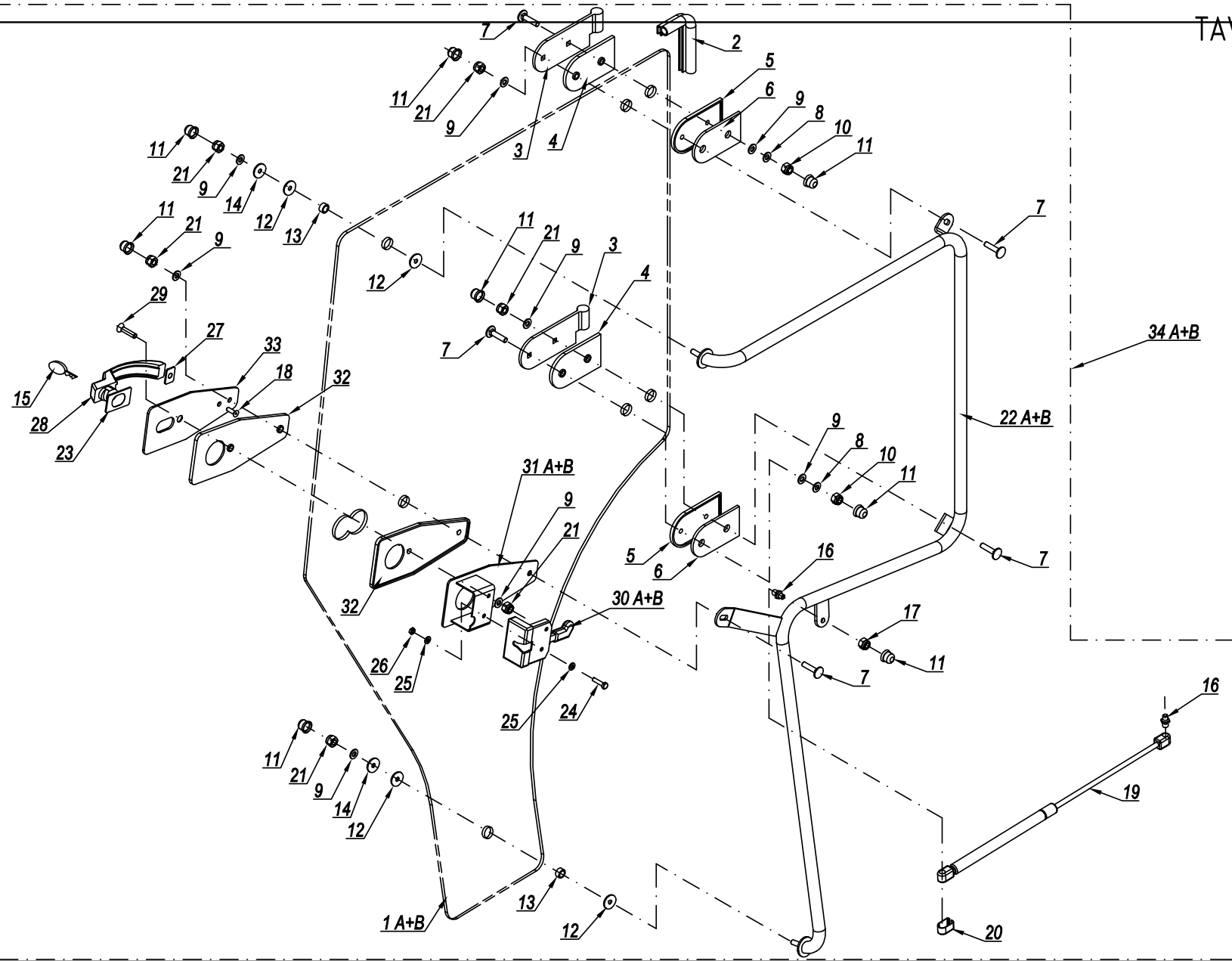
LEFT/RIGHT DOOR "LOCHMANN"

CODE REV

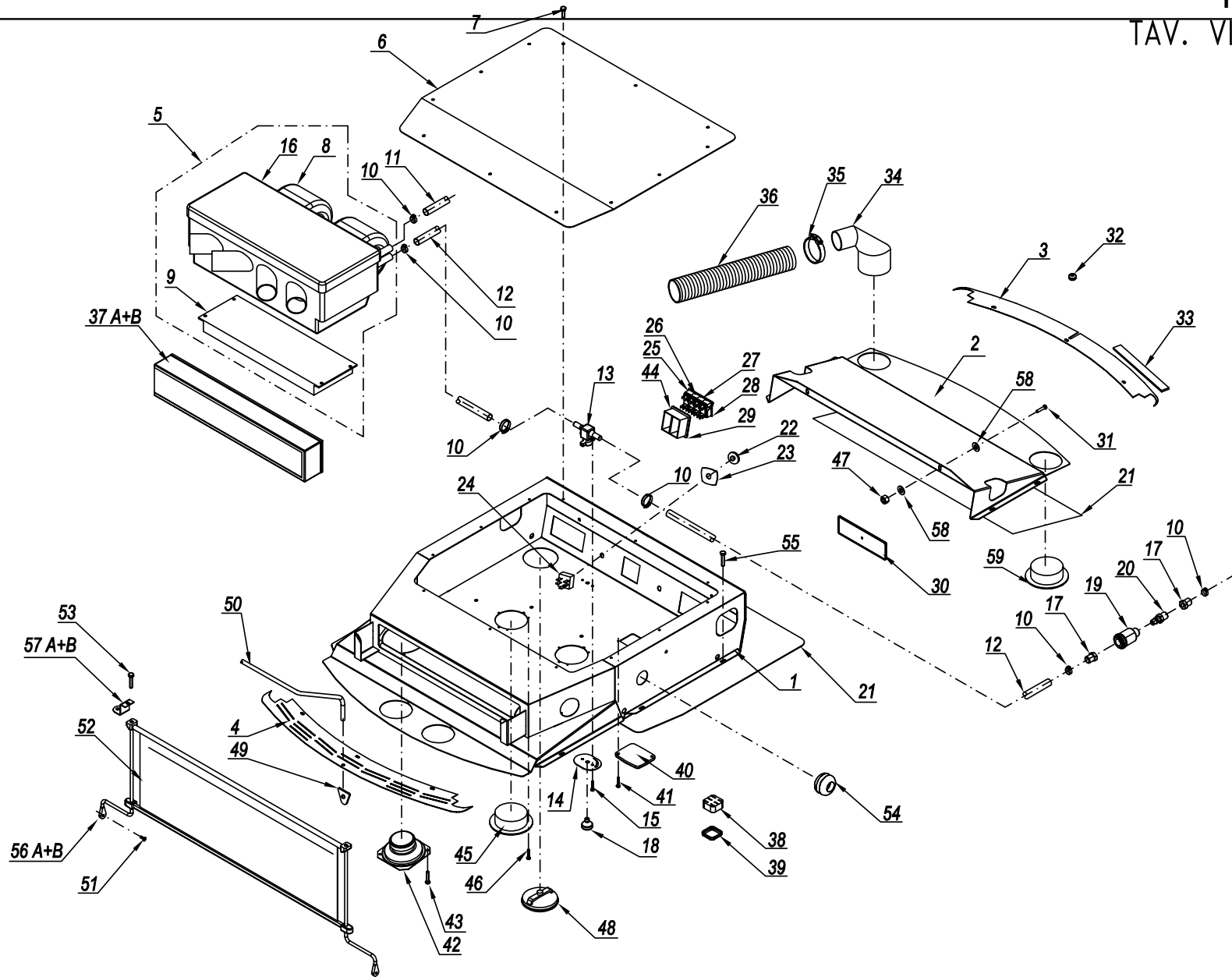
Y.01.05_0_44795

LEFT/RIGHT DOOR "LOCHMANN"

TAV. V



Pos.	Code	Q.ty	Description	Notes
30b	59900124	1	LOCK SMALL BLOCK	
31a	59900125	1	SUPPORT	
31b	59900126	1	SUPPORT	
34a	59900433	1	CAB DOOR - LEFT	
34b	59900434	1	CAB DOOR RIGHT	



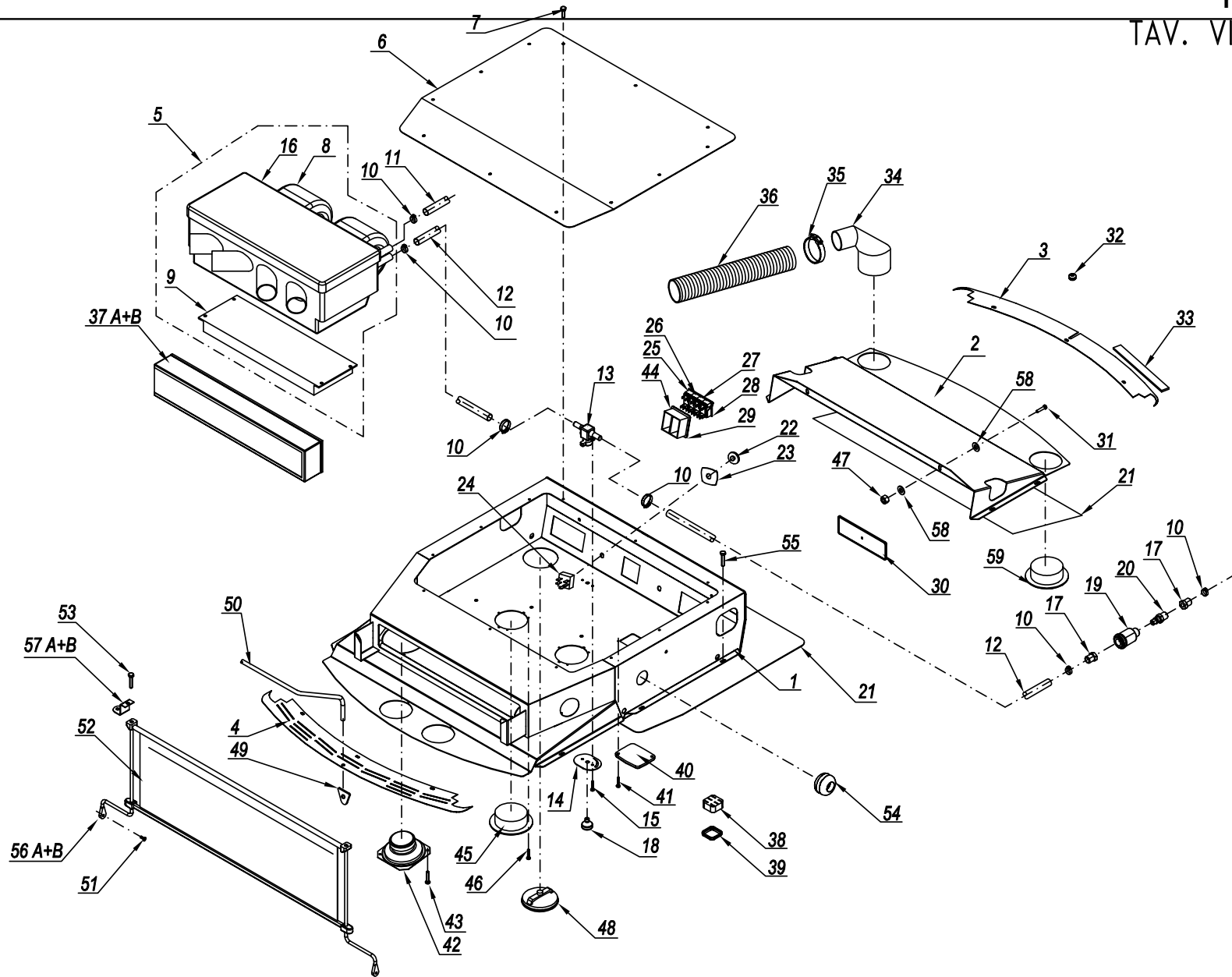
Pos.	Code	Q.ty	Description	Notes
1	59900435	1	INNER CAB ROOF PANEL	
2	59900436	1	SHEET	
3	59900055	1	FASTENER	
4	59900059	1	FASTENER	
5	59900437	1	UNIT	
6	59900438	1	GEARBOX HOUSING COVER	
7	59900439	9	SUNK HEAD RIBBED SCREW	
8	59900440	1	DIGITAL INSTRUMENT	
9	59900441	1	RADIATOR	
10	59900071	8	PIPE CONNECTION	
11	59900442	1	PIPE	
12	59900443	1	PIPE	
13	59900068	1	COCK OR TAP	
14	59900444	1	FRONT GRILLE	
15	59900036	2	RIBBED SCREW	
16	59900445	1	KIT	
17	59900020	4	PIPE FITTING	
18	59900070	1	KNOB	
19	59900018	2	CONNECTION	
20	59900019	2	CONNECTION	
21	59900446	1	LINING	
22	59900447	1	KNOB	
23	59900448	1	PLATE	
24	59900449	1	SWITCH	
25	59900450	1	SWITCH	
26	59900451	1	SWITCH	
27	59900452	1	SWITCH	
28	59900453	1	SWITCH	
29	59900052	2	SWITCH SUPPORT	
30	59900062	1	HOLECOVER	
31	31112093	2	SCREW TE M6X20	
32	59900075	1	GASKET	
33	59900399	1	FOAM RUBBER	
34	59900454	4	PIPE FITTING	

SERIAL

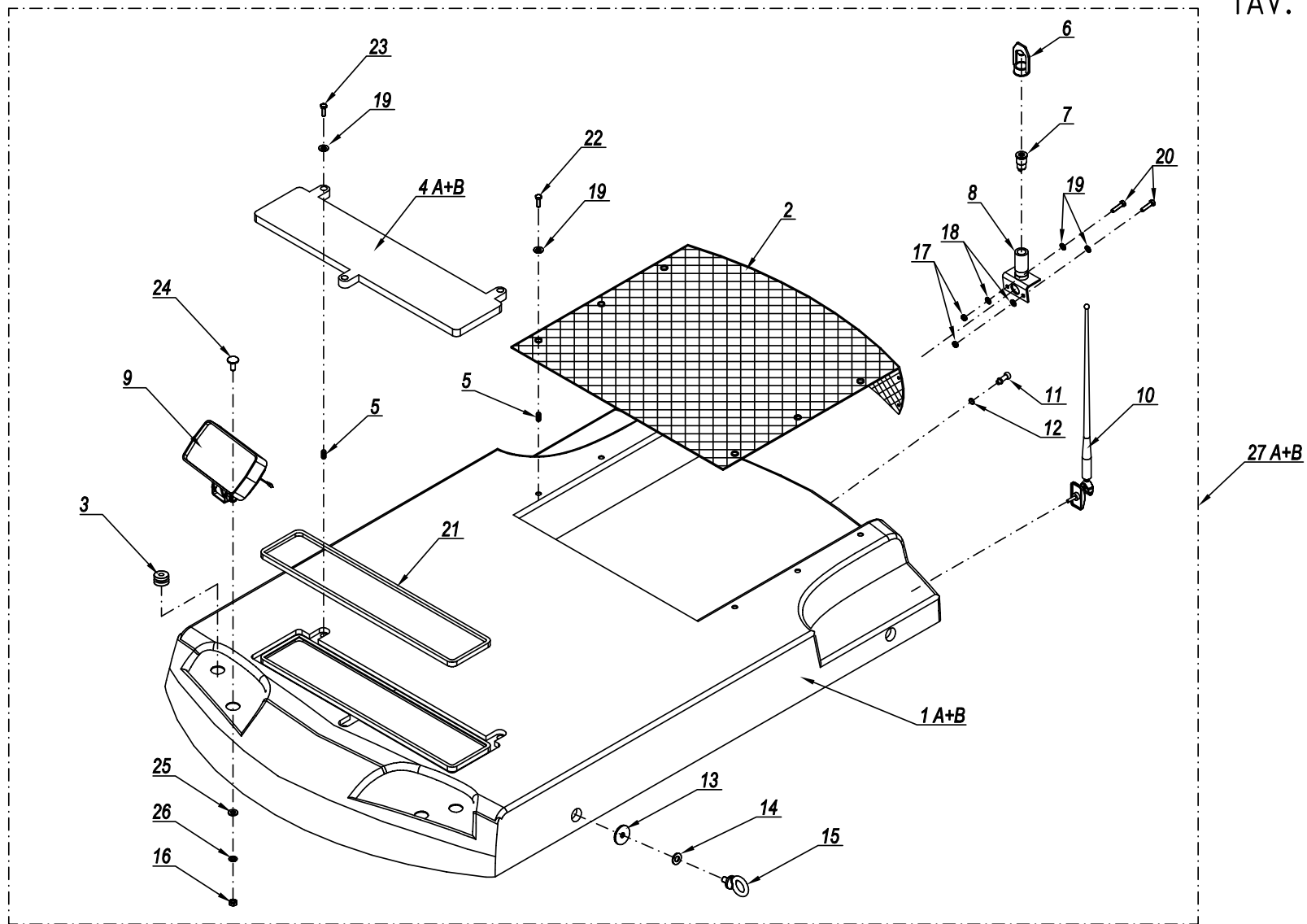
UNDER-ROOF - HEATING "LOCHMANN"

CODE REV

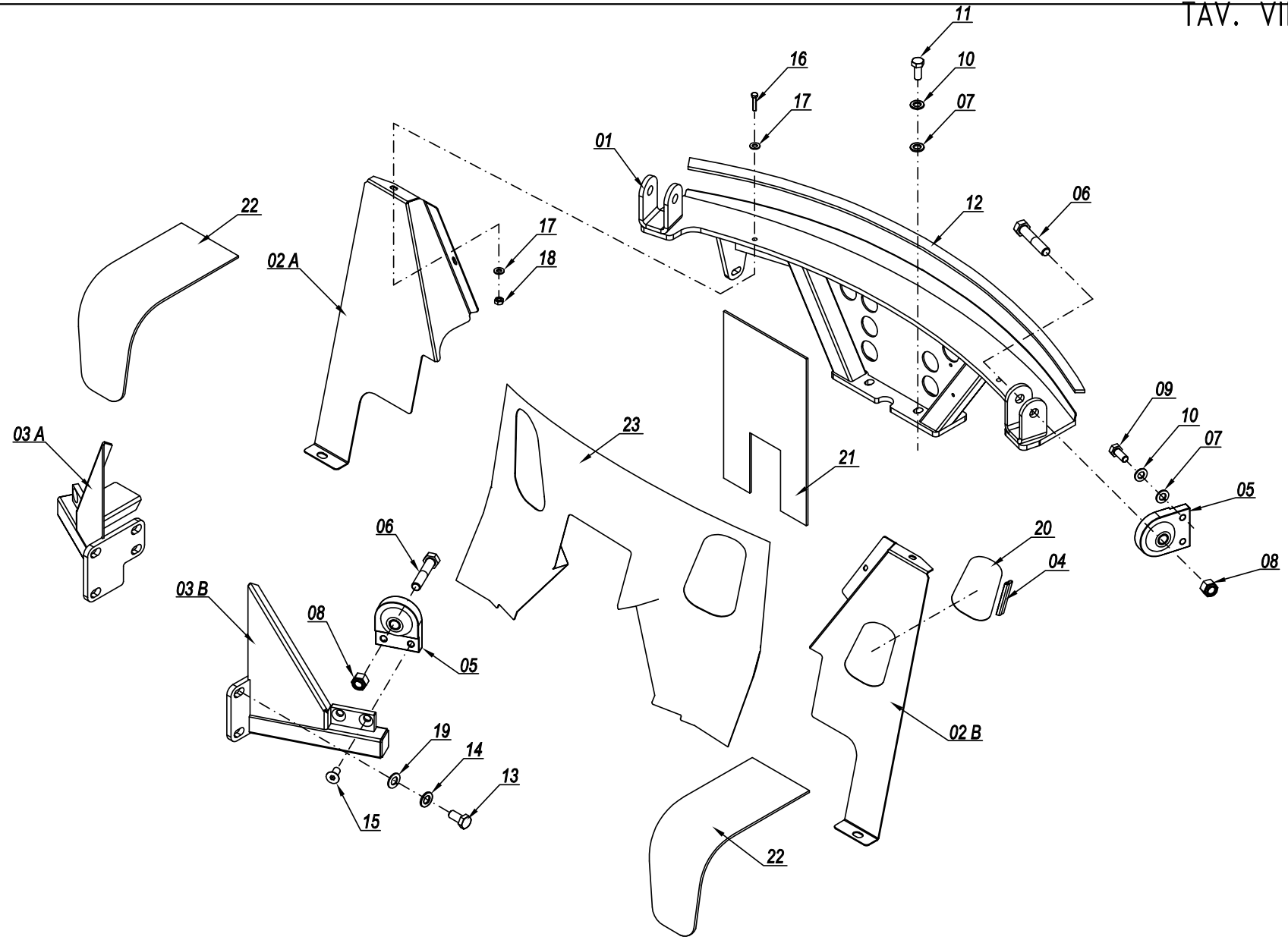
Y.01.06_0_44875



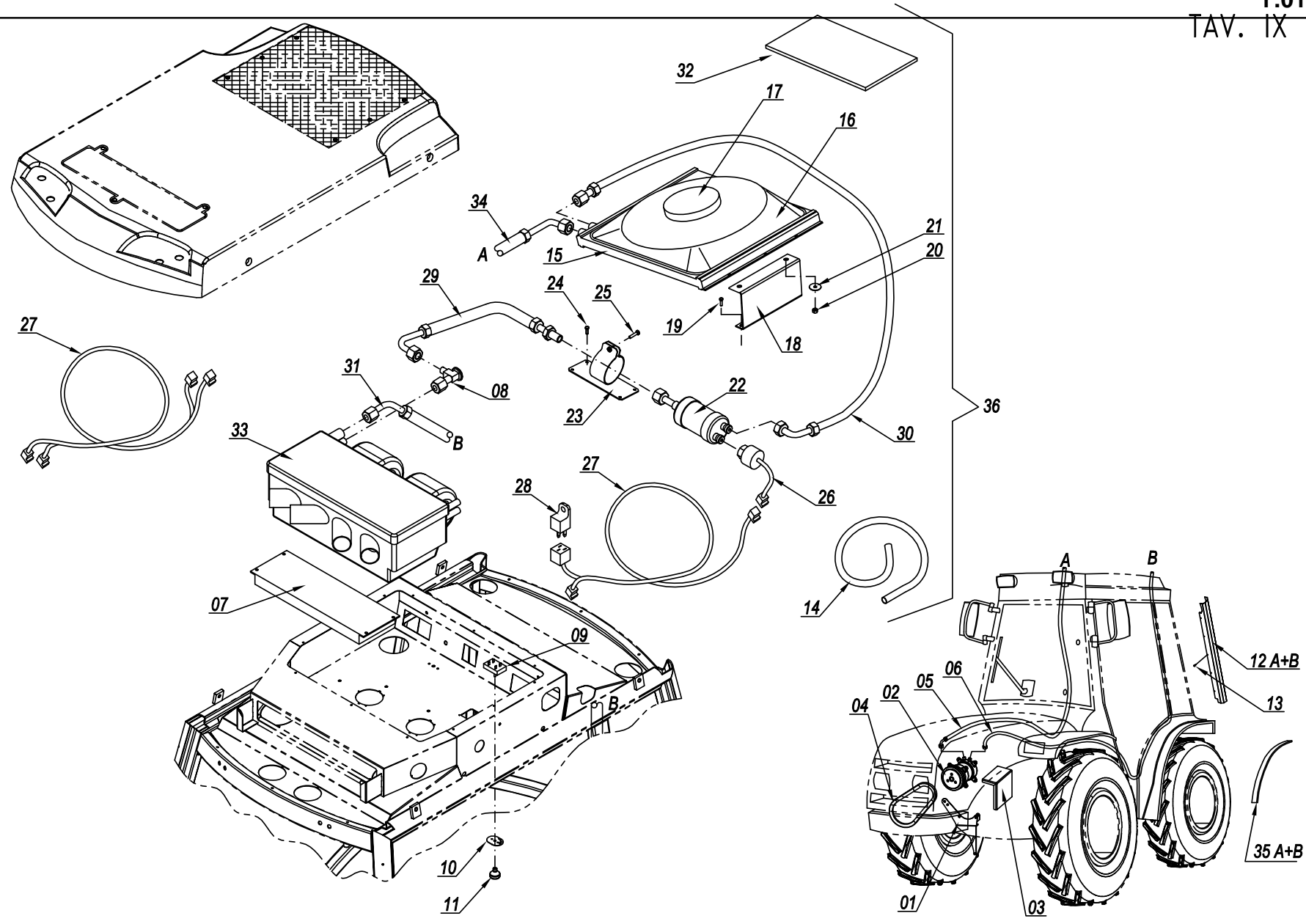
Pos.	Code	Q.ty	Description	Notes
35	59900455	4	HOSE CLIP	
36	59900456	1	PIPE	
38	59900058	1	FUSE-HOLDER	
39	59900057	1	COVER	
40	59900459	1	PLAFONIERA PER VENTILAZIONE	
41	59900460	2	RIBBED SCREW 3,5X16	
42	59900461	2	LOUD SPEAKER	
43	59900462	8	RIBBED SCREW	
44	59900051	2	SWITCH SUPPORT	
45	59900463	2	TONGUE	
46	59900464	6	SUNK HEAD RIBBED SCREW 2,9X19	
47	31241060	2	HEXAGON SELFLOCK NUT M6	
48	59900465	2	TONGUE	
49	59900466	1	COOLING NOZZLE	
50	59900387	1	PIPE	
51	59900467	2	RIBBED SCREW	
52	59900041	1	ROLL-UP SUN-SHADE	
53	59900468	2	RIBBED SCREW 4,8X13	
54	59900469	1	PLUG	
55	59900395	14	RIBBED SCREW 6,5X20	
58	31411064	4	WASHER 6,4x12,5	
59	59900474	4	TONGUE	
37a	59900457	1	FILTER	
37b	59900458	1	CARBON FILTER	
56a	59900470	1	ROD	
56b	59900471	1	ROD	
57a	59900472	1	SUPPORT	
57b	59900473	1	SUPPORT	



Pos.	Code	Q.ty	Description	Notes
2	59900475	1	SHEET	
3	59900075	4	GASKET	
5	59900476	3	INSERT	
6	59900046	1	PLASTIC PLUG	
7	59900047	1	SOCKET	
8	59900048	1	SUPPORT	
9	59900049	4	WORKING SPOTLIGHT	
10	59900050	1	AERIAL	
11	59900466	1	COOLING NOZZLE	
12	59900477	1	RUBBER PLUG	
13	59900074	4	WASHER	
14	59900404	4	WASHER FOR SUPPORTING M10X36	
15	59900073	4	GOLFARO MASCHIO	
16	31211060	4	HEXAGONAL NUT M8	
17	31241060	2	HEXAGON SELFLOCK NUT M6	
18	59900398	2	WASHER M6X18	
19	31411064	17	WASHER 6,4x12,5	
1a	59900038	1	ROOF	
1b	59900039	1	ROOF	
20	59900432	2	HEXAGON HEAD SCREW	
21	59900478	1	FOAM RUBBER	
22	59900396	11	HEXAGON SCREW M6X15	
23	31112093	3	SCREW TE M6X20	
24	31121801	4	SCREW TTQ M8X20 UNI 5731	
25	31411090	4	WASHER 9x24	
26	59900117	4	WASHER 11,4 M8	
4a	59900042	1	COVER	
4b	59900043	1	COVER	
27a	59900479	1	ROOF	
27b	59900480	1	ROOF	



Pos.	Code	Q.ty	Description	Notes
1	59900481	1	SUPPORT	
4	59900382	1	GASKET	
5	59900082	4	SILENT-BLOCK	
6	31112442	4	SCREW TE M16X80 UNI 5737	
7	59900486	4	WASHER M12 D.24MM	
8	31241160	4	SELFLOCK NUT M16 6S	
9	59900487	4	SCREW	
10	59900488	4	WASHER M12 D21	
11	59900489	4	SCREW	
12	59900490	1	GLASS GASKET	
13	59900491	8	SCREW	
14	59900492	8	WASHER	
15	F0863728010	4	SCREW M12X25 UNI5933	
16	59900493	4	SCREW	
17	31411084	4	WASHER 8,4x17	
18	31241080	4	HEXAGON SELFLOCK NUT M8	
19	59900494	8	WASHER M14 D.28MM	
20	59900495	2	REAR GLASS	
21	59900496	1	LINING	
22	59900497	1	LINING	
23	59900498	1	LINING	
2a	59900482	1	STRIKER PLATE	
2b	59900483	1	STRIKER PLATE	
3a	59900484	1	FRONT SUPPORT	
3b	59900485	1	FRONT SUPPORT	



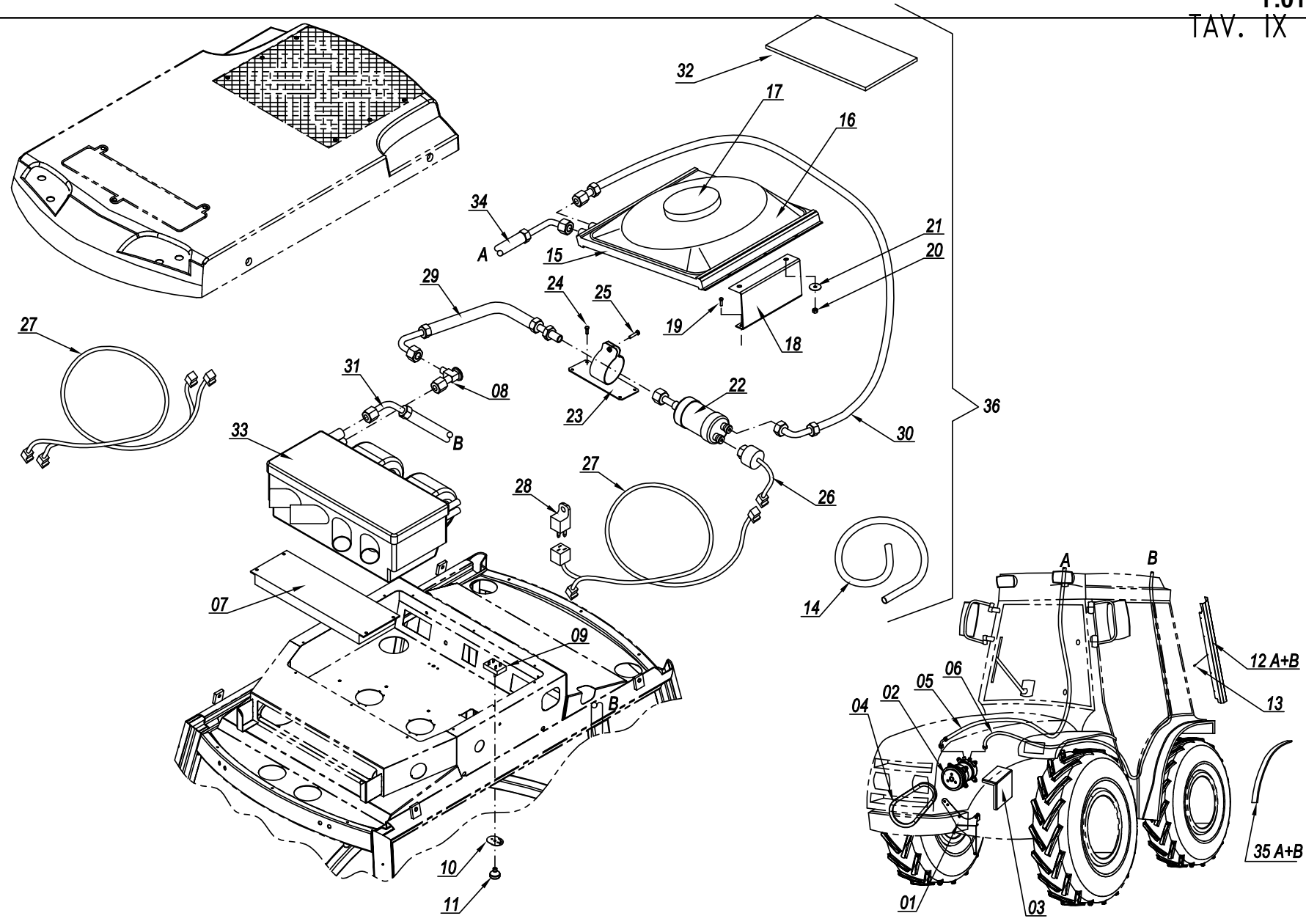
Pos.	Code	Q.ty	Description	Notes
1	59900499	1	PLATE	
2	59900500	1	GEAR COMPRESSOR	
3	59900501	1	GUARD	
4	59900502	1	BELT	
5	59900503	1	PIPE	
6	59900504	1	PIPE	
7	59900505	1	VAPORIZER	
8	59900506	1	VALVE	
9	59900507	1	THERMOSTAT	
10	59900508	1	PLATE	
11	59900447	1	KNOB	
13	59900036	16	RIBBED SCREW	
14	59900511	1	EXHAUST	
15	59900512	1	CONDENSER	
16	59900513	1	DUCT	
17	59900514	1	FAN	
18	59900515	2	BRACKET	
19	59900516	4	RIBBED SCREW 4,8X16	
20	31241060	4	HEXAGON SELFLOCK NUT M6	
21	59900411	4	WASHER M6X24	
22	59900517	1	FILTER	
23	59900518	1	RETAINER	
24	59900396	1	HEXAGON SCREW M6X15	
25	59900432	1	HEXAGON HEAD SCREW	
26	59900519	1	BULB	
27	59900520	1	ELECTRICAL SYSTEM	
28	59900521	1	RELAY	
29	59900522	1	PIPE	
30	59900523	1	PIPE	
31	59900524	1	PIPE	
32	59900525	1	GUARD	
33	59900526	1	UNIT	
34	59900527	1	PIPE	
36	59900530	1	KIT	

SERIAL

AIR CONDITIONING "LOCHMANN"

CODE REV

Y.01.09_0_45063



Pos.	Code	Q.ty	Description	Notes
12a	59900509	1	CHANNEL	
12b	59900510	1	CHANNEL	
35a	59900528	1	CHANNEL	
35b	59900529	1	CHANNEL	

SPARE PARTS INSTANCE INDEX





SPARE PARTS INSTANCE INDEX

Code	Parts Table	Pos.	Q.ty	Code	Parts Table	Pos.	Q.ty	Code	Parts Table	Pos.	Q.ty
28174882	A.03.01_0_45689	5	1	31111151	M.02.01_0_41268	36	3	31112146	C.02.01_0_39058	10	2
	A.03.02_0_45727	5	1		M.02.02_0_41339	8	1		D.07.01_1_39618	11	4
30000007	C.01.01_1_38975	23	4		M.02.02_0_41339	36	3	31112147	B.09.01_0_38809	2	4
	D.03.01_1_39393	21	1	31111156	D.01.01_0_40115	2/2	1		D.15.01_0_40390	29	2
30000197	L.02.01_0_40937	26	6	31111218	A.05.01_0_45829	14	2	31112148	A.02.01_0_42497	12	2
	L.02.04_0_41097	27	7	31111331	B.01.01_0_47067	2	4	31112149	B.04.01_0_39904	24	6
	M.02.01_0_41268	26	6	31112051	A.02.01_0_42497	20	1		L.01.01_0_40903	9	2
	M.02.02_0_41339	26	7	31112082	A.01.01_1_48842	13	2		M.01.01_0_41199	10	2
30000211	F.03.01_1_40560	28	2		A.01.02_1_45599	13	2		M.02.01_0_41268	29	1
30000514	B.03.01_0_50545	24	1		A.01.03_1_45644	13	2		M.02.02_0_41339	29	1
30000614	B.08.01_0_38736	8	1		A.03.01_0_45689	2	4	31112150	A.01.01_1_48842	3	3
30000789	F.03.01_1_40560	30	1		A.03.02_0_45727	2	4		A.02.01_0_42497	6	1
30040035	C.03.01_0_39252	14	1		B.01.01_0_47067	22	12		B.01.01_0_47067	5	2
30040095	B.05.02_0_50667	19	8		C.01.01_1_38975	48	8		B.02.01_1_47161	8	2
31111090	F.04.01_0_46735	26	1		E.01.01_0_42630	3	4		D.02.01_0_39284	3	6
31111091	A.03.01_0_45689	35	4		L.01.01_0_40903	14	2		D.13.01_0_40355	7	1
	A.03.02_0_45727	35	4		M.01.01_0_41199	15	2		F.01.01_0_51108	26	4
	B.02.01_1_47161	14	2	31112090	A.01.01_1_48842	23	2		F.04.01_0_46735	2	2
	B.04.01_0_39904	29	2		A.01.02_1_45599	23	2		L.01.01_0_40903	25	2
	B.04.02_0_39936	17	2		A.01.03_1_45644	23	2		L.02.01_0_40937	22	4
	M.01.01_0_41199	62	1		B.09.01_0_38809	9	4		L.02.04_0_41097	23	4
31111151	A.01.01_1_48842	7	4		C.01.01_1_38975	3	4		M.01.01_0_41199	35	2
	A.01.02_1_45599	7	4		F.02.01_0_51232	6	4		M.02.01_0_41268	23	4
	A.01.03_1_45644	7	4		F.03.01_1_40560	15	1		M.02.01_0_41268	34	2
	A.03.01_0_45689	27	2		M.02.01_0_41268	48	4		M.02.02_0_41339	23	4
	A.03.02_0_45727	27	2		M.02.02_0_41339	48	4		M.02.02_0_41339	34	2
	A.05.01_0_45829	29	1	31112092	B.04.01_0_39904	28	2		T.01.01_0_41550	12	2
	B.01.01_0_47067	18	1		B.04.02_0_39936	16	2		T.01.02_0_41578	15	2
	B.12.02_0_51039	10	5	31112093	B.02.01_1_47161	24	8		T.01.03_0_41614	21	2
	C.01.01_1_38975	35	2		M.01.01_0_41199	56	2	31112151	A.03.01_0_45689	16	1
	F.01.01_0_51108	16	4		Y.01.01_0_44535	22	4		A.03.02_0_45727	16	1
	L.02.01_0_40937	8	1		Y.01.06_0_44875	31	2		B.01.01_0_47067	8	1
	L.02.04_0_41097	8	1		Y.01.07_0_45001	23	3		C.03.01_0_39252	3	6
	M.02.01_0_41268	8	1	31112096	A.05.01_0_45829	27	2		D.15.01_0_40390	24	1



SPARE PARTS INSTANCE INDEX

Code	Parts Table	Pos.	Q.ty	Code	Parts Table	Pos.	Q.ty	Code	Parts Table	Pos.	Q.ty
31112152	D.07.01_1_39618	12	3	31112219	L.01.01_0_40903	2	1	31200501	A.04.02_0_45780	3	1
31112153	A.01.01_1_48842	17	1		M.01.01_0_41199	2	1		A.04.03_0_45796	3	1
	A.01.02_1_45599	17	1	31112264	B.03.01_0_50545	15	8		A.04.04_0_45812	3	1
	A.01.03_1_45644	17	1		B.03.02_0_50571	15	8	31211050	A.02.01_0_42497	23	1
31112161	D.11.01_0_40184	3	2	31112267	C.01.01_1_38975	22	8	31211060	A.01.01_1_48842	25	2
31112174	A.01.01_1_48842	15	1	31112328	B.01.01_0_47067	25	2		A.01.02_1_45599	25	2
	A.01.02_1_45599	15	1	31112442	Y.01.08_0_45176	6	4		A.01.03_1_45644	25	2
	A.01.03_1_45644	15	1	31112801	B.05.01_0_50640	19	4		A.03.01_0_45689	36	2
31112210	A.01.01_1_48842	31	1	31121801	Y.01.07_0_45001	24	4		A.03.02_0_45727	36	2
	A.01.02_1_45599	31	1	31122804	B.04.01_0_39904	9	4		B.02.01_1_47161	16	2
	A.01.03_1_45644	31	1		B.04.02_0_39936	7	4		B.04.01_0_39904	21	4
	E.02.01_0_46767	5	1	31122805	Y.01.02_0_44621	21	2		B.09.01_0_38809	11	4
	F.01.01_0_51108	18	4		Y.01.03_0_44709	23	2		F.02.01_0_51232	8	4
	F.02.01_0_51232	9	2		Y.01.04_0_45149	3	2		Y.01.02_0_44621	22	1
	F.03.01_1_40560	2	1	31132562	A.02.01_0_42497	2	2		Y.01.03_0_44709	35	1
31112211	B.04.01_0_39904	15	2	31132566	B.09.01_0_38809	4	4		Y.01.05_0_44795	10	2
	B.04.02_0_39936	13	2		D.13.01_0_40355	6	1		Y.01.07_0_45001	16	4
	C.01.01_1_38975	6	2	31152057	L.02.01_0_40937	3	2	31211080	A.01.01_1_48842	9	2
	L.01.01_0_40903	3	5		L.02.04_0_41097	3	2		A.01.02_1_45599	9	2
	M.01.01_0_41199	3	4		M.02.01_0_41268	3	2		A.01.03_1_45644	9	2
	T.01.01_0_41550	7	8		M.02.02_0_41339	3	2		A.03.01_0_45689	18	1
	T.01.02_0_41578	10	8	31152060	A.02.01_0_42497	15	1		A.03.02_0_45727	18	1
	T.01.03_0_41614	15	8	31152068	A.02.01_0_42497	16	1		A.04.01_0_45765	4	3
31112212	A.03.01_0_45689	11	2	31152081	Y.01.02_0_44621	8	4		A.04.02_0_45780	4	3
	A.03.02_0_45727	11	2		Y.01.03_0_44709	36	4		A.04.03_0_45796	4	3
	C.01.01_1_38975	7	7	31152083	F.01.01_0_51108	2	4		A.04.04_0_45812	4	3
31112213	C.01.01_1_38975	8	1		F.02.01_0_51232	2	4		A.05.01_0_45829	10	6
31112217	M.01.01_0_41199	5	1	31152085	D.11.01_0_40184	2	2		B.02.01_1_47161	10	6
31112219	A.01.01_1_48842	10	5	31152088	B.02.01_1_47161	11	2		B.04.01_0_39904	14	4
	A.01.02_1_45599	10	5	31152097	M.01.01_0_41199	47	2		B.04.02_0_39936	12	4
	A.01.03_1_45644	10	5	31152103	A.03.01_0_45689	14	1		D.12.01_1_40279	61	6
	B.04.01_0_39904	7	4		A.03.02_0_45727	14	1		L.02.01_0_40937	20	6
	B.04.02_0_39936	5	4		T.03.03_0_42459	4	2		L.02.04_0_41097	21	6
	F.03.01_1_40560	3	5	31200501	A.04.01_0_45765	3	1		M.02.01_0_41268	21	3

SPARE PARTS INSTANCE INDEX

Code	Parts Table	Pos.	Q.ty	Code	Parts Table	Pos.	Q.ty	Code	Parts Table	Pos.	Q.ty
31211080	M.02.02_0_41339	21	3	31411053	A.02.01_0_42497	21	1	31411090	Y.01.07_0_45001	25	4
31211100	L.02.01_0_40937	14	4	31411064	A.01.01_1_48842	14	2	31411104	M.01.01_0_41199	22	3
	L.02.04_0_41097	15	4		A.01.02_1_45599	14	2	31411105	D.03.01_1_39393	23	1
	M.02.01_0_41268	15	3		A.01.03_1_45644	14	2		D.15.01_0_40390	23	1
	M.02.02_0_41339	15	3		A.03.01_0_45689	4	4		Y.01.02_0_44621	18	1
	T.01.03_0_41614	10	2		A.03.02_0_45727	4	4		Y.01.03_0_44709	39	1
31211123	C.01.01_1_38975	30	2		B.09.01_0_38809	10	4	31411130	D.14.01_0_40378	9	2
31211200	T.01.03_0_41614	8.2	1		E.01.01_0_42630	4	4		D.15.01_0_40390	16	2
31221161	W.01.02_0_45287	1.5	5		F.03.01_1_40560	17	1	31411150	B.01.01_0_47067	27	2
31231080	A.02.01_0_42497	18	2		Y.01.01_0_44535	38	6		D.15.01_0_40390	26	2
	B.01.01_0_47067	15	1		Y.01.02_0_44621	40	1	31411170	T.01.01_0_41550	16	2
31231120	D.14.01_0_40378	11	4		Y.01.03_0_44709	19	1		T.01.02_0_41578	19	2
31241060	Y.01.01_0_44535	39	6		Y.01.05_0_44795	25	4	31421083	A.01.01_1_48842	18	1
	Y.01.05_0_44795	26	2		Y.01.06_0_44875	58	4		A.01.02_1_45599	18	1
	Y.01.06_0_44875	47	2		Y.01.07_0_45001	19	17		A.01.03_1_45644	18	1
	Y.01.07_0_45001	17	2	31411066	A.03.01_0_45689	37	6		D.02.01_0_39284	4	6
	Y.01.09_0_45063	20	4		A.03.02_0_45727	37	6	31421251	A.01.01_1_48842	20	1
31241080	B.01.01_0_47067	11	1		B.02.01_1_47161	25	16		A.01.02_1_45599	20	1
	Y.01.02_0_44621	26	4		B.04.01_0_39904	30	4		A.01.03_1_45644	20	1
	Y.01.03_0_44709	16	4		B.04.02_0_39936	18	4	31510053	B.08.01_0_38736	6	6
	Y.01.04_0_45149	8	2	31411084	B.01.01_0_47067	6	3	34110029	T.01.01_0_41550	9.2	2
	Y.01.05_0_44795	21	5		B.02.01_1_47161	4	6		T.01.02_0_41578	12.2	2
	Y.01.08_0_45176	18	4		B.08.01_0_38736	17	4	34110030	M.01.01_0_41199	59	1
31241081	Y.01.02_0_44621	15	2		B.09.01_0_38809	7	2	34130010	T.01.01_0_41550	17	2
	Y.01.03_0_44709	37	2		D.03.01_1_39393	27	1		T.01.02_0_41578	20	2
	Y.01.05_0_44795	17	1		Y.01.02_0_44621	14	4	34211054	D.13.01_0_40355	4	1
31241100	Y.01.02_0_44621	35	1		Y.01.03_0_44709	24	4	34211064	T.03.03_0_42459	17	1
	Y.01.03_0_44709	40	1		Y.01.04_0_45149	7	2	34213054	D.11.01_0_40184	8	1
31241121	M.01.01_0_41199	50	2		Y.01.05_0_44795	9	8	34321066	D.15.01_0_40390	8	1
31241160	Y.01.08_0_45176	8	4		Y.01.08_0_45176	17	4	35111047	D.12.01_1_40279	4	1
31241161	C.01.01_1_38975	40	4	31411090	B.01.01_0_47067	10	1	35111052	D.05.01_1_42883	10	1
31312089	D.12.01_1_40279	60	4		B.04.01_0_39904	13	4	35111062	D.09.01_0_39847	2	2
31313300	C.03.01_0_39252	7	10		B.04.02_0_39936	11	4	35111080	D.02.01_0_39284	13	4
31313320	C.03.01_0_39252	8	6		F.03.01_1_40560	9	4		D.06.01_1_42932	27	1



SPARE PARTS INSTANCE INDEX

Code	Parts Table	Pos.	Q.ty	Code	Parts Table	Pos.	Q.ty	Code	Parts Table	Pos.	Q.ty
35121030	D.02.01_0_39284	6	2	51176123	C.03.01_0_39252	1	1	52378629	D.07.01_1_39618	30	1
35121035	D.06.01_1_42932	17	1	51176125	C.01.01_1_38975	2	1	52470061	D.09.01_0_39847	7	1
35121040	D.04.01_1_42845	11	1	51176126	C.01.01_1_38975	1	1	52470062	D.09.01_0_39847	6	1
	D.12.01_1_40279	8	1	51176714	B.01.01_0_47067	1	1	52470063	D.01.01_0_40115	17	1
35211060	B.02.01_1_47161	19	1	51177257	W.01.01_0_44125	17	1	52470064	D.01.01_0_40115	16	1
35211070	M.01.01_0_41199	27	2		W.01.02_0_45287	15	1	52470067	D.01.01_0_40115	20	2
37111254	D.09.01_0_39847	3	1	51179545	D.07.01_1_39618	9	1		D.09.01_0_39847	8	2
37111255	D.05.01_1_42883	9	1	51270203	D.11.01_0_40184	15	1	52470086	D.01.01_0_40115	27	2
37111354	D.02.01_0_39284	14	1	51270771	D.07.01_1_39618	32	1	52470087	D.10.01_0_39887	11	3
37112501	D.04.01_1_42845	13	1	51275570	D.13.01_0_40355	13	1	52470105	D.09.01_0_39847	16	1
37221320	D.06.01_1_42932	26	2	51276772	C.01.01_1_38975	16	1	52470106	D.09.01_0_39847	15	1
37931413	D.12.01_1_40279	20	1	51276773	C.01.01_1_38975	15	1	52470117	D.06.01_1_42932	19	1
38104412	D.02.01_0_39284	23	1	51277912	C.01.01_1_38975	18	2	52470118	D.06.01_1_42932	18	1
38110992	D.03.01_1_39393	13	1	51278573	D.11.01_0_40184	10	1	52470298	D.12.01_1_40279	7	1
38111078	D.13.01_0_40355	17	2	51278623	D.07.01_1_39618	31	1	52473655	D.02.01_0_39284	33	1
38112200	D.13.01_0_40355	3	1	51371035	D.01.01_0_40115	21	1	52473656	D.04.01_1_42845	24	1
	F.01.01_0_51108	6	2		D.09.01_0_39847	11	1	52473658	D.02.01_0_39284	10	1
38112510	D.02.01_0_39284	8	1	52071702	L.01.01_0_40903	13	1	52473827	D.05.01_1_42883	8	1
38113142	F.01.01_0_51108	25	2		M.01.01_0_41199	14	1	52473829	D.05.01_1_42883	5	1
38116317	D.12.01_1_40279	54	1	52272112	D.07.01_1_39618	28	1	52473830	D.05.01_1_42883	6	1
38118720	D.12.01_1_40279	55	1	52273364	D.07.01_1_39618	29	1	52473831	D.05.01_1_42883	7	1
39118528	W.01.02_0_45287	5	1	52274299	D.07.01_1_39618	26	1	52473835	D.06.01_1_42932	9	1
41U50000	A.01.01_1_48842	1	1	52370072	D.10.01_0_39887	6	1	52473836	D.06.01_1_42932	12	1
41U60000	A.01.02_1_45599	1	1	52370075	D.10.01_0_39887	5	1	52473837	D.06.01_1_42932	13	1
41U70000	A.01.03_1_45644	1	1	52370083	C.01.01_1_38975	24	2	52473838	D.04.01_1_42845	5	1
50973415	M.01.01_0_41199	40	2	52370152	D.13.01_0_40355	2	1	52473839	D.04.01_1_42845	9	1
51170020	C.03.01_0_39252	6	2	52372292	D.12.01_1_40279	38	1	52474251	D.06.01_1_42932	15	1
51172005	D.10.01_0_39887	3	1	52373177	D.15.01_0_40390	13	2	52475562	D.12.01_1_40279	32	1
51173371	M.01.01_0_41199	49	1	52374641	D.11.01_0_40184	1	1	52475565	D.12.01_1_40279	43	1
51173650	C.03.01_0_39252	2	1	52375215	D.15.01_0_40390	17	1	52475991	D.12.01_1_40279	24	1
51173803	C.03.01_0_39252	11	1	52375896	D.07.01_1_39618	27	1	52475992	D.12.01_1_40279	46	1
51173804	C.03.01_0_39252	10	1	52377913	C.01.01_1_38975	20	1	52475994	D.12.01_1_40279	44/1	1
51174047	M.01.01_0_41199	1	1	52377914	C.01.01_1_38975	19	1	52475996	D.12.01_1_40279	44/2	1
51174315	L.01.01_0_40903	1	1	52378628	D.07.01_1_39618	36	1	52476062	D.12.01_1_40279	17	1



SPARE PARTS INSTANCE INDEX

Code	Parts Table	Pos.	Q.ty	Code	Parts Table	Pos.	Q.ty	Code	Parts Table	Pos.	Q.ty
52476065	D.12.01_1_40279	22/1	1	55177639	A.03.02_0_45727	23	1	56077760	M.02.02_0_41339	43	1
52476066	D.12.01_1_40279	22/2	1	55271644	B.08.01_0_38736	5/2	1	56077773	T.01.01_0_41550	2	4
52476068	D.12.01_1_40279	16	1	55271852	B.08.01_0_38736	5/1	1		T.01.02_0_41578	2	4
52476868	D.12.01_1_40279	3	1	55274441	B.08.01_0_38736	4	1	56077910	C.01.01_1_38975	41	4
52478565	D.12.01_1_40279	28	1	55276745	A.05.01_0_45829	1	1	56077977	C.01.01_1_38975	50	2
52478568	D.12.01_1_40279	19	1	56071768	A.02.01_0_42497	11	2	56079442	B.02.01_1_47161	1.1	1
52478609	D.06.01_1_42932	7	1	56073059	T.01.01_0_41550	11.1	1	56170017	D.07.01_1_39618	16	1
52478611	D.06.01_1_42932	3	1		T.01.02_0_41578	14.1	1	56170029	D.03.01_1_39393	14	1
52478612	D.05.01_1_42883	3	1		T.01.03_0_41614	20.2	1	56170043	D.14.01_0_40378	8	2
52478615	D.06.01_1_42932	22	1	56073413	M.01.01_0_41199	44	2	56170074	D.10.01_0_39887	9	1
52478617	D.06.01_1_42932	25	1	56073414	M.01.01_0_41199	41	2	56170082	C.01.01_1_38975	26	1
52478618	D.04.01_1_42845	17	1	56073416	M.01.01_0_41199	45	1	56170213	D.01.01_0_40115	8	1
52478619	D.04.01_1_42845	18	1	56074302	D.03.01_1_39393	25	1	56170214	D.01.01_0_40115	6	1
52478620	D.04.01_1_42845	20	1	56074313	D.12.01_1_40279	65	1	56170221	C.01.01_1_38975	26	1
52573648	D.02.01_0_39284	19	1	56075036	T.01.03_0_41614	17	2	56170222	C.01.01_1_38975	26	1
53273025	D.02.01_0_39284	24	1	56075143	M.01.01_0_41199	58	1	56170223	C.01.01_1_38975	26	1
53273886	D.12.01_1_40279	33	1	56075145	M.01.01_0_41199	26	1	56170226	C.01.01_1_38975	37	2
53273891	D.12.01_1_40279	56	1	56075161	M.02.01_0_41268	33	1	56170283	L.01.01_0_40903	27	2
55072935	B.05.01_0_50640	1	4		M.02.02_0_41339	33	1		M.01.01_0_41199	37	2
55170047	D.14.01_0_40378	7	2	56075183	M.02.01_0_41268	46	1	56170285	L.01.01_0_40903	29	2
55170053	D.07.01_1_39618	6	3		M.02.02_0_41339	46	1		M.01.01_0_41199	39	2
55174162	B.09.01_0_38809	14	1	56075184	M.02.01_0_41268	47	1	56170286	L.01.01_0_40903	28	2
55174163	B.09.01_0_38809	13	2		M.02.02_0_41339	47	1		M.01.01_0_41199	38	2
55174632	A.03.01_0_45689	21	1	56075197	M.02.01_0_41268	42	1	56170350	F.01.01_0_51108	13	1
	A.03.02_0_45727	21	1		M.02.02_0_41339	42	1	56170364	C.02.01_0_39058	9	2
55175174	B.04.01_0_39904	12	6	56075251	M.02.01_0_41268	38	1	56170367	D.15.01_0_40390	9	1
	B.04.02_0_39936	10	6		M.02.02_0_41339	38	1	56170392	T.01.01_0_41550	3	2
	B.05.01_0_50640	22	8	56076055	D.13.01_0_40355	20	1		T.01.02_0_41578	3	2
	B.05.02_0_50667	17	8	56076928	B.02.01_1_47161	1.3	1	56170447	D.13.01_0_40355	11	1
	F.03.01_1_40560	10	4	56076929	B.02.01_1_47161	1.4	1	56170704	T.03.01_0_41710	6	1
55176744	A.01.01_1_48842	26	1	56076930	B.02.01_1_47161	1.5	1		T.03.02_0_41719	4	1
	A.01.02_1_45599	26	1	56076933	B.02.01_1_47161	1.2	1	56170705	T.03.01_0_41710	7	1
	A.01.03_1_45644	26	1	56077608	A.05.01_0_45829	6	2		T.03.02_0_41719	5	1
55177639	A.03.01_0_45689	23	1	56077760	M.02.01_0_41268	43	1	56170760	D.06.01_1_42932	24	1

SPARE PARTS INSTANCE INDEX

Code	Parts Table	Pos.	Q.ty	Code	Parts Table	Pos.	Q.ty	Code	Parts Table	Pos.	Q.ty
56170795	D.15.01_0_40390	11	1	56174635	A.04.01_0_45765	5	1	56176127	D.11.01_0_40184	7	1
56170796	D.15.01_0_40390	12	1		A.04.02_0_45780	5	1	56176691	A.03.01_0_45689	15	1
56170964	L.02.01_0_40937	15	4		A.04.03_0_45796	5	1		A.03.02_0_45727	15	1
	L.02.04_0_41097	16	4		A.04.04_0_45812	5	1	56176696	A.05.01_0_45829	8	2
	M.02.01_0_41268	16	3		A.05.01_0_45829	5	1	56176716	A.05.01_0_45829	7	1
	M.02.02_0_41339	16	3	56174636	A.04.01_0_45765	2	1	56176814	A.05.01_0_45829	9	3
56171172	C.01.01_1_38975	38	2		A.04.02_0_45780	2	1	56176905	B.03.01_0_50545	12	1
56171223	B.12.02_0_51039	13	1		A.04.03_0_45796	2	1		B.03.02_0_50571	12	1
56171572	D.12.01_1_40279	1	1		A.04.04_0_45812	2	1	56176906	B.03.01_0_50545	11	1
56171877	A.02.01_0_42497	3	1	56174643	B.09.01_0_38809	1	1		B.03.02_0_50571	11	1
56171883	A.02.01_0_42497	4	1	56174656	B.02.01_1_47161	12	1	56176907	B.05.01_0_50640	13	1
56171936	D.15.01_0_40390	21	1	56174657	B.01.01_0_47067	4	1		B.05.02_0_50667	11	1
56171954	B.04.01_0_39904	16	2	56174658	B.01.01_0_47067	7	1	56176908	B.05.01_0_50640	12	1
	B.04.02_0_39936	14	2	56174659	B.01.01_0_47067	9	1		B.05.02_0_50667	10	1
	B.05.01_0_50640	23	8	56174661	A.02.01_0_42497	14	1	56177045	B.03.01_0_50545	25	8
	B.05.02_0_50667	18	8	56174665	F.04.01_0_46735	1	1		B.03.02_0_50571	16	8
56171996	B.04.01_0_39904	11	4	56174668	B.04.01_0_39904	31	2		B.05.01_0_50640	26	8
	B.04.02_0_39936	9	4		B.04.02_0_39936	19	2		B.05.02_0_50667	21	8
	F.03.01_1_40560	11	4	56174692	D.06.01_1_42932	24	1	56177068	C.01.01_1_38975	42	1
56172172	B.12.01_0_46793	7/2	1	56174693	D.06.01_1_42932	24	1	56177183	A.01.01_1_48842	34	1
56172538	C.01.01_1_38975	47	1	56174694	D.06.01_1_42932	24	1		A.01.02_1_45599	34	1
56172547	F.02.01_0_51232	13	1	56174695	D.06.01_1_42932	24	1		A.01.03_1_45644	34	1
56172749	F.04.01_0_46735	4	1	56174725	F.01.01_0_51108	15	2	56177252	B.05.01_0_50640	2	2
56173353	C.01.01_1_38975	26	1	56174835	B.02.01_1_47161	18	1	56177256	B.03.01_0_50545	3	2
56173638	L.01.01_0_40903	8	1	56174873	B.01.01_0_47067	24	1		B.03.02_0_50571	3	2
	M.01.01_0_41199	9	1	56174919	C.01.01_1_38975	45	1	56177264	B.05.01_0_50640	15	1
56173684	D.03.01_1_39393	20	1	56174920	C.01.01_1_38975	46	1		B.05.02_0_50667	13	1
56174108	D.12.01_1_40279	5	1	56174987	F.02.01_0_51232	4	1	56177265	B.05.01_0_50640	16	1
56174202	L.02.01_0_40937	21	1	56174988	F.02.01_0_51232	5	1		B.05.02_0_50667	14	1
	L.02.04_0_41097	22	1	56175227	M.02.01_0_41268	22	1	56177326	B.03.01_0_50545	8	2
56174431	D.13.01_0_40355	10	1		M.02.02_0_41339	22	1		B.03.02_0_50571	8	2
56174527	B.04.01_0_39904	22	1	56175294	F.02.01_0_51232	17	1	56177416	W.01.02_0_45287	1.1	1
56174529	F.03.01_1_40560	6	1	56175367	D.06.01_1_42932	24	1	56177417	W.01.02_0_45287	1.2	1
56174582	B.05.01_0_50640	21	2	56175848	T.01.03_0_41614	5	2	56177443	B.05.01_0_50640	5	1

SPARE PARTS INSTANCE INDEX

Code	Parts Table	Pos.	Q.ty	Code	Parts Table	Pos.	Q.ty	Code	Parts Table	Pos.	Q.ty
56177443	B.05.02_0_50667	3	1	56370081	L.02.04_0_41097	42	1	56370696	T.03.01_0_41710	4	4
56177444	B.05.01_0_50640	6	1		M.02.02_0_41339	61	1	56370830	D.06.01_1_42932	28	1
	B.05.02_0_50667	4	1	56370089	D.01.01_0_40115	15	1		D.09.01_0_39847	14	1
56177643	B.01.01_0_47067	17	1		D.06.01_1_42932	28	1	56371037	D.01.01_0_40115	19	1
56177655	A.02.01_0_42497	19	1		D.09.01_0_39847	14	1		D.09.01_0_39847	9	1
56177656	A.02.01_0_42497	17	2	56370127	D.01.01_0_40115	15	1	56371065	D.07.01_1_39618	21	1
	B.01.01_0_47067	14	1		D.06.01_1_42932	28	1	56371101	T.01.02_0_41578	4.3	1
56177979	A.01.01_1_48842	8	1		D.09.01_0_39847	14	1		T.01.02_0_41578	5.3	1
	A.01.02_1_45599	8	1	56370128	D.01.01_0_40115	15	1		T.01.02_0_41578	13.3	1
	A.01.03_1_45644	8	1		D.06.01_1_42932	28	1	56371162	D.02.01_0_39284	16	1
56178649	A.01.02_1_45599	35	1		D.09.01_0_39847	14	1	56371721	D.15.01_0_40390	18	1
	A.01.03_1_45644	35	1	56370165	D.07.01_1_39618	23	1	56372282	D.12.01_1_40279	41	1
56178695	F.04.01_0_46735	29	1	56370172	D.07.01_1_39618	19	3	56372536	D.01.01_0_40115	3	1
56178805	A.03.01_0_45689	7	1	56370177	D.07.01_1_39618	22	1	56373194	D.03.01_1_39393	30	1
	A.03.02_0_45727	7	1	56370178	D.12.01_1_40279	6	1	56373426	M.01.01_0_41199	42	1
56178806	A.03.01_0_45689	12	2		D.13.01_0_40355	14	1	56373427	M.01.01_0_41199	42	1
	A.03.02_0_45727	12	2	56370186	D.07.01_1_39618	14	5	56373428	M.01.01_0_41199	42	1
56179443	B.02.01_1_47161	22	1	56370187	D.11.01_0_40184	5	1	56373436	M.01.01_0_41199	53	1
56179444	B.02.01_1_47161	23	1	56370209	D.01.01_0_40115	11	1	56373800	C.03.01_0_39252	12	2
56179445	B.03.01_0_50545	10	1	56370210	D.01.01_0_40115	11	1	56373840	D.06.01_1_42932	1	1
	B.03.02_0_50571	10	1	56370211	D.01.01_0_40115	11	1	56374430	D.13.01_0_40355	5	1
56179447	B.02.01_1_47161	21	2	56370212	D.01.01_0_40115	11	1	56374574	M.01.01_0_41199	51	1
56179549	B.02.01_1_47161	7	1	56370267	D.02.01_0_39284	26	1	56375008	T.03.02_0_41719	2	4
56275953	T.01.03_0_41614	8.1	1	56370282	L.01.01_0_40903	22	4	56375146	M.01.01_0_41199	25	1
56276371	C.02.01_0_39058	1.2	1		M.01.01_0_41199	32	4	56375147	M.01.01_0_41199	21	1
56276372	C.02.01_0_39058	1.1	1	56370287	L.01.01_0_40903	24	2	56375571	D.13.01_0_40355	15	1
56278614	D.06.01_1_42932	6	1		M.01.01_0_41199	34	2	56375954	T.01.03_0_41614	6	4
56370018	D.07.01_1_39618	10	6	56370288	L.01.01_0_40903	17	2	56376256	D.11.01_0_40184	9	1
56370037	D.02.01_0_39284	31	1		M.01.01_0_41199	18	1	56377097	C.01.01_1_38975	21	4
56370038	D.14.01_0_40378	4	2	56370486	C.01.01_1_38975	32	1	56377915	C.01.01_1_38975	39	2
56370076	D.10.01_0_39887	10	6	56370539	W.01.01_0_44125	16	4	56378566	D.12.01_1_40279	26	2
56370079	D.10.01_0_39887	7	1		W.01.02_0_45287	14	4	56378616	D.06.01_1_42932	23	1
56370081	C.01.01_1_38975	4	2	56370582	D.11.01_0_40184	14	1	56378622	D.07.01_1_39618	24	1
	D.10.01_0_39887	15	1	56370583	D.11.01_0_40184	13	1	56378630	D.07.01_1_39618	25	1



SPARE PARTS INSTANCE INDEX

Code	Parts Table	Pos.	Q.ty	Code	Parts Table	Pos.	Q.ty	Code	Parts Table	Pos.	Q.ty
56379482	C.01.01_1_38975	29	2	56570506	M.01.01_0_41199	20	1	57376678	B.03.01_0_50545	5	1
56470002	D.02.01_0_39284	17	1	56573662	D.02.01_0_39284	5	1		B.03.02_0_50571	5	1
56470110	D.04.01_1_42845	3	1	56575035	T.01.03_0_41614	1	2	57376726	A.01.01_1_48842	2	1
56470111	D.04.01_1_42845	14	1	56577771	T.01.01_0_41550	1	2	57376899	B.02.01_1_47161	17/2	1
56470137	D.06.01_1_42932	11	1		T.01.02_0_41578	1	2	57377317	A.04.02_0_45780	8	1
56470138	D.06.01_1_42932	10	3	56578610	D.06.01_1_42932	4	1		A.04.04_0_45812	8	1
56470139	D.04.01_1_42845	10	1	57174915	A.05.01_0_45829	1.3	1	57379438	B.02.01_1_47161	27	1
56470215	D.01.01_0_40115	4	1	57275032	B.04.01_0_39904	17	1	58025869	M.01.01_0_41199	42	1
56470216	D.01.01_0_40115	26	2	57275033	B.04.01_0_39904	18	1	58048002	A.02.01_0_42497	24	2
56470231	D.14.01_0_40378	5	2	57371049	D.02.01_0_39284	7	1		B.01.01_0_47067	12	1
56470299	D.13.01_0_40355	1	1	57371900	A.05.01_0_45829	2	1	58070071	D.10.01_0_39887	4	1
56470365	D.15.01_0_40390	22	1	57372345	F.03.01_1_40560	33	1	58070164	D.07.01_1_39618	18	3
56470797	D.15.01_0_40390	14	2	57374532	B.04.01_0_39904	27	1	58070168	D.07.01_1_39618	20	3
56470987	D.12.01_1_40279	30	1		B.04.02_0_39936	15	1	58070169	D.07.01_1_39618	8	3
56471036	D.01.01_0_40115	18	1	57374588	B.04.01_0_39904	3	1	58070198	D.11.01_0_40184	12	1
	D.09.01_0_39847	10	1	57374589	B.04.01_0_39904	4	1	58070205	D.11.01_0_40184	17	1
56473818	D.04.01_1_42845	6	1	57374853V	B.09.01_0_38809	5	1	58070262	D.02.01_0_39284	25	1
56473890	D.12.01_1_40279	52	1	57375192	M.02.01_0_41268	39	1	58070268	D.02.01_0_39284	27	1
56474713	D.12.01_1_40279	52	1		M.02.02_0_41339	39	1	58070366	D.14.01_0_40378	10	2
56474714	D.12.01_1_40279	52	1	57376621	B.03.01_0_50545	6	1	58070480	T.01.01_0_41550	9.1	2
56475516	D.12.01_1_40279	50	1		B.03.02_0_50571	6	1		T.01.02_0_41578	12.1	2
56475517	D.12.01_1_40279	52	1	57376622	B.03.01_0_50545	7	1	58070482	T.01.01_0_41550	10.3	1
56475518	D.12.01_1_40279	52	1		B.03.02_0_50571	7	1		T.01.03_0_41614	19.3	2
56475568	D.12.01_1_40279	23	1	57376623	B.05.01_0_50640	9	1	58070513	L.02.01_0_40937	33	1
56475844	D.12.01_1_40279	53	1		B.05.02_0_50667	7	1		L.02.04_0_41097	34	1
56477227	C.02.01_0_39058	6	1	57376624	B.05.01_0_50640	10	1		M.02.01_0_41268	54	1
56478567	D.12.01_1_40279	25	1		B.05.02_0_50667	8	1		M.02.02_0_41339	54	1
56570016	C.02.01_0_39058	1.3	2	57376670	B.02.01_1_47161	17/1	1	58070690	A.05.01_0_45829	19	1
	D.07.01_1_39618	17	1	57376671	B.05.01_0_50640	7	1	58070741	D.07.01_1_39618	37	5
	L.01.01_0_40903	5	2		B.05.02_0_50667	5	1		D.13.01_0_40355	18	2
	M.01.01_0_41199	6	2	57376672	B.05.01_0_50640	8	1	58070790	D.03.01_1_39393	17	2
56570125	D.07.01_1_39618	39	2		B.05.02_0_50667	6	1		D.15.01_0_40390	6	2
56570284	L.01.01_0_40903	15	1	57376677	B.03.01_0_50545	4	1	58071313	E.02.01_0_46767	3	1
	M.01.01_0_41199	16	1		B.03.02_0_50571	4	1	58071322	T.01.01_0_41550	4	2



SPARE PARTS INSTANCE INDEX

Code	Parts Table	Pos.	Q.ty	Code	Parts Table	Pos.	Q.ty	Code	Parts Table	Pos.	Q.ty
58071755	T.01.01_0_41550	10.1	2	58074825	A.02.01_0_42497	8	1	58075603	L.01.01_0_40903	7	1
	T.01.02_0_41578	13.1	2	58074831	B.01.01_0_47067	16	1		M.01.01_0_41199	8	1
	T.01.03_0_41614	19.1	2	58074839	B.07.01_0_42552	15	1	58075873	A.03.01_0_45689	30	1
58071864	T.01.02_0_41578	4.1	1	58074841	B.07.01_0_42552	8	1		A.03.02_0_45727	30	1
	T.01.02_0_41578	5.1	1	58074846	B.07.01_0_42552	16	1	58075983	T.01.01_0_41550	11	1
58072074	A.02.01_0_42497	9	1	58074880	B.07.01_0_42552	11	1	58075987	T.01.02_0_41578	14	1
58072081	E.02.01_0_46767	4	1	58074895	A.05.01_0_45829	21	1		T.01.03_0_41614	20	1
58072389	D.12.01_1_40279	39	1	58074904	E.01.01_0_42630	1	1	58076077	B.07.01_0_42552	24	1
58072398	D.12.01_1_40279	47	4	58074921	F.03.01_1_40560	12	1	58076081	T.01.02_0_41578	5.2	1
58072399	D.12.01_1_40279	42	1	58074958	M.02.01_0_41268	55	5	58076082	T.01.02_0_41578	4.2	1
58072509	B.07.01_0_42552	32	1		M.02.02_0_41339	55	6	58076083	T.01.02_0_41578	5	1
58072510	B.07.01_0_42552	35	1	58075021	B.07.01_0_42552	23	1	58076084	T.01.02_0_41578	4	1
58072511	B.07.01_0_42552	34	1	58075022	B.07.01_0_42552	17	1	58076333	F.02.01_0_51232	15	1
58072517	B.07.01_0_42552	33	1	58075024	B.07.01_0_42552	18	1	58076334	F.02.01_0_51232	16	1
58072518	B.07.01_0_42552	25/1	1	58075080	L.02.01_0_40937	34	3	58076354	T.01.01_0_41550	9	2
58072574	B.07.01_0_42552	25/2	1		L.02.04_0_41097	35	4	58076356	T.01.02_0_41578	12	2
58072575	B.07.01_0_42552	26	1	58075082	L.02.01_0_40937	41	1	58076750	A.04.03_0_45796	8	1
58072737	B.07.01_0_42552	30	1		M.02.01_0_41268	61	1		A.04.04_0_45812	9	1
58073411	M.01.01_0_41199	43	2	58075087	L.02.01_0_40937	35	2	58076751	A.04.01_0_45765	8	1
58073889	D.12.01_1_40279	51	1		L.02.04_0_41097	36	2		A.04.02_0_45780	9	1
58074092	D.12.01_1_40279	40	1	58075135	L.02.01_0_40937	29	1	58076752	A.05.01_0_45829	11	3
58074220	B.07.01_0_42552	13	1		L.02.04_0_41097	30	1	58076753	A.04.01_0_45765	6	1
58074221	B.07.01_0_42552	12	1	58075152	B.07.01_0_42552	21	1		A.04.03_0_45796	6	1
58074222	B.07.01_0_42552	14	1	58075159	M.02.01_0_41268	27	1	58076984V	B.02.01_1_47161	28	1
58074558	D.03.01_1_39393	9	1		M.02.02_0_41339	27	1	58076987V	B.02.01_1_47161	29	1
58074733	F.03.01_1_40560	27	2	58075160	M.02.01_0_41268	50	1	58077132	A.03.01_0_45689	32	1
58074735	F.03.01_1_40560	25	2		M.02.02_0_41339	50	1		A.03.02_0_45727	32	1
58074736	F.04.01_0_46735	27	1	58075247	L.02.01_0_40937	6	1	58077198	T.01.02_0_41578	13	2
58074777	B.07.01_0_42552	10	1		L.02.04_0_41097	6	1	58077202	T.01.01_0_41550	18	2
58074786	B.07.01_0_42552	5	1		M.02.01_0_41268	6	1	58077205	T.01.01_0_41550	10	2
58074787	B.07.01_0_42552	6	1		M.02.02_0_41339	6	1	58077226	C.02.01_0_39058	5	1
58074791	B.07.01_0_42552	4	2	58075250	B.07.01_0_42552	22	1	58077325	T.01.03_0_41614	19	2
58074794	B.07.01_0_42552	1	1	58075521	B.07.01_0_42552	19	1	58077579	B.07.01_0_42552	3/3	2
58074795	B.07.01_0_42552	2	1	58075522	B.07.01_0_42552	20	1	58077580	B.07.01_0_42552	3/2	2



SPARE PARTS INSTANCE INDEX

Code	Parts Table	Pos.	Q.ty	Code	Parts Table	Pos.	Q.ty	Code	Parts Table	Pos.	Q.ty
58077581	B.07.01_0_42552	3/1	2	58170245	M.01.01_0_41199	31	2	58171028	A.04.04_0_45812	1.3	1
58077601	B.08.01_0_38736	7/1	1	58170279	D.04.01_1_42845	8	1	58171069	A.04.02_0_45780	6	1
58077602	B.08.01_0_38736	7/2	1	58170291	L.01.01_0_40903	16	2		A.04.04_0_45812	6	1
58077619	B.07.01_0_42552	9	1		M.01.01_0_41199	17	2	58171139	D.06.01_1_42932	8	2
58077654	B.07.01_0_42552	27	1	58170306	D.02.01_0_39284	18	2	58171199	A.01.01_1_48842	1.1	1
58078677	A.03.01_0_45689	29	1	58170344	B.08.01_0_38736	19	2		A.01.02_1_45599	1.1	1
	A.03.02_0_45727	29	1	58170345	B.08.01_0_38736	20	1		A.01.03_1_45644	1.1	1
58079118	C.02.01_0_39058	1.4	1	58170376	B.08.01_0_38736	15	2	58171200	A.01.01_1_48842	1.2	1
58079394	E.01.01_0_42630	6	1	58170436	B.02.01_1_47161	3	1		A.01.02_1_45599	1.2	1
58079395	E.01.01_0_42630	5	1	58170443	D.02.01_0_39284	21	1		A.01.03_1_45644	1.2	1
58079431	F.03.01_1_40560	23	1	58170449	T.01.01_0_41550	14	1	58171536	L.01.01_0_40903	21.2	1
58079432	F.03.01_1_40560	24	1		T.01.02_0_41578	17	1		M.01.01_0_41199	31.2	1
58079466	B.07.01_0_42552	7	1		T.01.03_0_41614	23	1	58171537	L.01.01_0_40903	21.1	1
58079755	E.02.01_0_46767	7	1	58170453	B.08.01_0_38736	7.1	1		M.01.01_0_41199	31.1	1
58090333	Y.01.02_0_44621	37	2	58170512	L.02.01_0_40937	30	1	58171739	F.03.01_1_40560	32.1	1
	Y.01.03_0_44709	38	2		L.02.04_0_41097	31	1	58171901	A.05.01_0_45829	22	1
	Y.01.05_0_44795	7	4		M.02.01_0_41268	51	1	58171925	I.01.01_0_40883	10	1
58092972	B.02.01_1_47161	2	1		M.02.02_0_41339	51	1	58172011	I.01.01_0_40883	1	1
58170021	C.03.01_0_39252	4	1	58170693	F.04.01_0_46735	20/2	1		L.02.01_0_40937	12	2
58170026	D.15.01_0_40390	2	1	58170703	D.14.01_0_40378	2	6		L.02.04_0_41097	12	1
58170034	D.02.01_0_39284	28	6	58170968	B.03.01_0_50545	23	1		M.02.01_0_41268	14	1
58170039	D.01.01_0_40115	23	4	58171000	T.01.02_0_41578	6	2	58172012	I.01.01_0_40883	3	1
58170045	D.14.01_0_40378	1	2		T.01.03_0_41614	11	2		L.02.01_0_40937	13/1	2
58170054	D.07.01_1_39618	7	3	58171019	D.14.01_0_40378	3	2		L.02.04_0_41097	13/1	2
58170069	C.01.01_1_38975	33	1	58171021	T.01.01_0_41550	4.2	1		L.02.04_0_41097	14	1
58170070	D.10.01_0_39887	12	3		T.01.02_0_41578	7	2		M.02.01_0_41268	13/1	2
58170077	C.01.01_1_38975	27	4		T.01.03_0_41614	12/1	2		M.02.02_0_41339	13/1	2
58170107	D.01.01_0_40115	25	2	58171027	A.04.01_0_45765	1.4	1		M.02.02_0_41339	14/1	1
58170130	D.04.01_1_42845	23	1		A.04.02_0_45780	1.4	1	58172013	I.01.01_0_40883	4	1
	D.12.01_1_40279	10	1		A.04.03_0_45796	1.4	1		L.02.01_0_40937	13/2	2
58170181	W.01.01_0_44125	1.1	1		A.04.04_0_45812	1.4	1		L.02.04_0_41097	13/2	2
58170195	D.11.01_0_40184	6	2	58171028	A.04.01_0_45765	1.3	1		M.02.01_0_41268	13/2	2
58170238	A.05.01_0_45829	3	1		A.04.02_0_45780	1.3	1		M.02.02_0_41339	13/2	2
58170245	L.01.01_0_40903	21	2		A.04.03_0_45796	1.3	1		M.02.02_0_41339	14/2	1



SPARE PARTS INSTANCE INDEX

Code	Parts Table	Pos.	Q.ty	Code	Parts Table	Pos.	Q.ty	Code	Parts Table	Pos.	Q.ty
58172014	I.01.01_0_40883	5	1	58172489	L.02.04_0_41097	18	1	58175121	A.01.02_1_45599	33	1
	I.01.01_0_40883	11.2	1	58172707	I.01.01_0_40883	2	1		A.01.03_1_45644	33	1
	L.02.01_0_40937	13/3	2	58173030	D.03.01_1_39393	5	1	58175122	A.04.01_0_45765	1.5	1
	L.02.04_0_41097	13/3	2	58173072	T.01.02_0_41578	14.2	1		A.04.02_0_45780	1.5	1
	M.02.01_0_41268	13/3	2		T.01.03_0_41614	20.1	1		A.04.03_0_45796	1.5	1
	M.02.02_0_41339	13/3	2	58173116	B.08.01_0_38736	19.1	2		A.04.04_0_45812	1.5	1
	M.02.02_0_41339	14/3	1		B.08.01_0_38736	20.1	2	58175187	M.02.01_0_41268	45	2
58172015	L.02.01_0_40937	10	1	58173119	B.08.01_0_38736	19.2	2		M.02.02_0_41339	45	2
	L.02.04_0_41097	10	1		B.08.01_0_38736	20.2	2	58175188	M.02.01_0_41268	44/2	1
58172016	I.01.01_0_40883	12	1	58173120	B.08.01_0_38736	19.3	1		M.02.02_0_41339	44/2	1
58172017	I.01.01_0_40883	13	1	58173121	B.08.01_0_38736	20.3	1	58175191	I.01.01_0_40883	15	1
	M.02.01_0_41268	20	3	58173195	D.03.01_1_39393	16.1	2		M.02.01_0_41268	32	1
	M.02.02_0_41339	20	3		D.03.01_1_39393	28.1	2		M.02.02_0_41339	32	1
58172018	I.01.01_0_40883	14	1	58173361	I.01.01_0_40883	9	1	58175209	C.01.01_1_38975	44	1
	L.02.01_0_40937	19	3		M.02.01_0_41268	18	1	58175211	M.02.01_0_41268	44/1	1
	L.02.04_0_41097	20	3		M.02.02_0_41339	18	1		M.02.02_0_41339	44/1	1
58172105	D.02.01_0_39284	30	5	58173399	F.04.01_0_46735	10	1	58175393	W.01.01_0_44125	15.1	1
58172106	D.02.01_0_39284	29	5	58173437	B.12.02_0_51039	4	1	58175630	W.01.01_0_44125	10.1	1
58172240	I.01.01_0_40883	6	1	58173505	F.01.01_0_51108	10	1	58175676	F.04.01_0_46735	17	1
	I.01.01_0_40883	11.3	1	58173772	B.07.01_0_42552	28	1	58175677	F.04.01_0_46735	15	1
58172267	B.08.01_0_38736	7.2	1	58173773	B.07.01_0_42552	29	1	58175769	B.08.01_0_38736	12	1
58172304	I.01.01_0_40883	7	1	58174192	D.07.01_1_39618	1	3	58175770	B.08.01_0_38736	13	1
	L.02.01_0_40937	11	1	58174581	L.01.01_0_40903	11	1	58175773	A.01.01_1_48842	21	1
	L.02.04_0_41097	11	1		M.01.01_0_41199	12	1		A.01.02_1_45599	21	1
	M.02.01_0_41268	12	1	58174608	A.03.01_0_45689	8	2		A.01.03_1_45644	21	1
	M.02.02_0_41339	12	1		A.03.02_0_45727	8	2	58175965	W.01.01_0_44125	1.2	1
58172400	D.02.01_0_39284	22	1	58174710	F.03.01_1_40560	32	2	58175966	W.01.01_0_44125	10.2	1
	D.12.01_1_40279	34	1	58174732	F.04.01_0_46735	25	1	58175967	W.01.01_0_44125	15.2	1
58172402	D.12.01_1_40279	35	1	58174928	B.08.01_0_38736	14	1	58176323	W.01.01_0_44125	6.1	1
58172447	D.12.01_1_40279	36	8	58174974	I.01.01_0_40883	11	1		W.01.02_0_45287	6.1	1
58172448	D.12.01_1_40279	37	8	58175014	F.01.01_0_51108	14	2	58176324	W.01.01_0_44125	6.2	1
58172463	F.04.01_0_46735	7	2	58175083	L.02.01_0_40937	43	1		W.01.02_0_45287	6.2	1
58172489	I.01.01_0_40883	8	1		M.02.01_0_41268	63	1	58176336	F.01.01_0_51108	21	2
	L.02.01_0_40937	17	1	58175121	A.01.01_1_48842	33	1	58176337	F.01.01_0_51108	11	1

SPARE PARTS INSTANCE INDEX

Code	Parts Table	Pos.	Q.ty	Code	Parts Table	Pos.	Q.ty	Code	Parts Table	Pos.	Q.ty
58176406	E.01.01_0_42630	7	2	58178571	W.01.02_0_45287	11/1	1	59070448	T.01.02_0_41578	18	1
58176618	A.01.01_1_48842	30	1	58178572	W.01.02_0_45287	11/2	1		T.01.03_0_41614	24	1
	A.01.02_1_45599	30	1	58178585	A.03.02_0_45727	1	1	59070591	B.03.01_0_50545	22	1
	A.01.03_1_45644	30	1	58178586	A.03.01_0_45689	1	1	59070592	B.05.01_0_50640	17	1
58176755	A.04.01_0_45765	1	1	58178638	A.03.01_0_45689	34	1		B.05.02_0_50667	15	1
	A.04.03_0_45796	1	1		A.03.02_0_45727	34	1	59070702	T.03.01_0_41710	1	1
58176898	A.04.02_0_45780	1	1	58178646	A.01.02_1_45599	2	1	59071171	C.01.01_1_38975	34	2
	A.04.04_0_45812	1	1		A.01.03_1_45644	2	1	59071241	B.12.01_0_46793	13	1
58177182	F.02.01_0_51232	3	1	58178811	D.01.01_0_40115	1/2	1	59071966	B.05.01_0_50640	24	1
58177274	B.01.01_0_47067	3	1	58178873	D.01.01_0_40115	1/1	1	59072057	L.02.01_0_40937	18	2
58177330	B.05.01_0_50640	25	2	58178954	F.03.01_1_40560	1	1		L.02.04_0_41097	19	2
	B.05.02_0_50667	20	2	58178960	D.15.01_0_40390	20	1		M.02.01_0_41268	19	2
58177400	A.01.01_1_48842	27	1	58179010	E.01.01_0_42630	2	2		M.02.02_0_41339	19	2
	A.01.02_1_45599	27	1	58179413	E.01.01_0_42630	8	2	59072974	F.03.01_1_40560	5	1
	A.01.03_1_45644	27	1	58179414	B.03.01_0_50545	9	2	59073184	A.04.02_0_45780	7	1
58177653	D.02.01_0_39284	2	1		B.03.02_0_50571	9	2		A.04.04_0_45812	7	1
58177723	B.12.01_0_46793	1	1	58179463	F.01.01_0_51108	1	1	59073674	B.04.01_0_39904	6	1
58177732	T.03.03_0_42459	2.1	1		F.02.01_0_51232	1	1		B.04.02_0_39936	4	1
58177736	T.03.03_0_42459	5	1	58192377	B.12.01_0_46793	3	1	59073681	A.02.01_0_42497	10/2	1
58177737	T.03.03_0_42459	6	2		B.12.02_0_51039	14	1	59073685	D.03.01_1_39393	22	1
58177738	T.03.03_0_42459	7	2	59070012	C.01.01_1_38975	14	1	59073725	D.03.01_1_39393	16	1
58177739	T.03.03_0_42459	8	6	59070065	D.01.01_0_40115	22	1	59074185	D.07.01_1_39618	2	1
58177740	T.03.03_0_42459	9	2		D.09.01_0_39847	12	1	59074206	D.03.01_1_39393	28	1
58177741	T.03.03_0_42459	11	1	59070094	D.10.01_0_39887	13	1	59074346	A.02.01_0_42497	10/1	1
58177742	T.03.03_0_42459	12	2	59070225	C.01.01_1_38975	31	1	59074351	B.04.01_0_39904	5	1
58177743	T.03.03_0_42459	14	1	59070289	L.01.01_0_40903	18	1		B.04.02_0_39936	3	1
58177744	T.03.03_0_42459	15	1		M.01.01_0_41199	28	1	59074385	B.05.01_0_50640	20	2
58177745	T.03.03_0_42459	18	1	59070290	L.01.01_0_40903	19	1		B.05.02_0_50667	16	2
58177746	T.03.03_0_42459	19	1		M.01.01_0_41199	29	1	59074387	D.07.01_1_39618	3	1
58177754	D.03.01_1_39393	4	1	59070323	D.15.01_0_40390	5	1	59074459	D.15.01_0_40390	28	1
58177761	M.02.01_0_41268	41	1	59070325	D.15.01_0_40390	1	1	59074600	B.04.01_0_39904	1	1
	M.02.02_0_41339	41	1	59070333	D.15.01_0_40390	7	1		B.04.02_0_39936	1	1
58177867	B.08.01_0_38736	11	1	59070398	D.15.01_0_40390	3	1	59074601	B.04.01_0_39904	2	1
58177978	T.01.03_0_41614	12/2	2	59070448	T.01.01_0_41550	15	1		B.04.02_0_39936	2	1

SPARE PARTS INSTANCE INDEX

Code	Parts Table	Pos.	Q.ty	Code	Parts Table	Pos.	Q.ty	Code	Parts Table	Pos.	Q.ty
59074623	D.03.01_1_39393	12	1	59075790	T.01.01_0_41550	6	1	59076780	B.05.01_0_50640	14	1
59074662	B.02.01_1_47161	20	6		T.01.02_0_41578	9	1		B.05.02_0_50667	12	1
59074744	F.04.01_0_46735	19	1	59075813	C.02.01_0_39058	8	1	59076870	A.05.01_0_45829	16	1
59074748	F.04.01_0_46735	23	1	59075917	F.04.01_0_46735	22	1	59077057	B.03.02_0_50571	13	1
59074749	F.04.01_0_46735	24	1	59075979	M.02.01_0_41268	28	1	59077058	B.03.02_0_50571	14	1
59074754	L.02.01_0_40937	7	1		M.02.02_0_41339	28	1	59077318	A.01.01_1_48842	12	1
	L.02.04_0_41097	7	1	59076085	L.01.01_0_40903	12	1		A.01.02_1_45599	12	1
59074759	L.02.01_0_40937	23	1		M.01.01_0_41199	13	1		A.01.03_1_45644	12	1
	L.02.04_0_41097	24	1	59076100	T.01.03_0_41614	8	2	59077359	B.05.01_0_50640	18	1
59074782	B.04.01_0_39904	23	1	59076211	F.01.01_0_51108	4	1	59077382	T.01.03_0_41614	14	1
59074993	D.12.01_1_40279	64	1	59076212	F.01.01_0_51108	20	2	59077383	T.01.03_0_41614	13	1
59075012	T.03.02_0_41719	1.1	1	59076213	F.01.01_0_51108	12	1	59077412	B.03.01_0_50545	16	1
59075137	M.01.01_0_41199	60	1	59076613	B.03.01_0_50545	14	1	59077455V	B.05.01_0_50640	3	1
59075140	M.01.01_0_41199	55	1	59076615	B.03.01_0_50545	13	1		B.05.02_0_50667	1	1
59075148	M.01.01_0_41199	19	1	59076619	A.01.02_1_45599	32	1	59077463V	B.05.01_0_50640	4	1
59075171	M.02.01_0_41268	49	1		A.01.03_1_45644	32	1		B.05.02_0_50667	2	1
	M.02.02_0_41339	49	1	59076620	A.01.01_1_48842	32	1	59077634	F.01.01_0_51108	24	1
59075178	M.01.01_0_41199	61	1	59076649V	B.03.01_0_50545	1	1	59077637	F.01.01_0_51108	23	1
59075216	M.02.01_0_41268	7	1		B.03.02_0_50571	1	1	59077933	A.05.01_0_45829	13	1
	M.02.02_0_41339	7	1	59076653V	B.03.01_0_50545	2	1	59077935	A.05.01_0_45829	17	1
59075217	M.02.01_0_41268	24	1		B.03.02_0_50571	2	1	59078588	L.01.01_0_40903	30	1
	M.02.02_0_41339	24	1	59076679	A.05.01_0_45829	23	1		T.01.01_0_41550	12	1
59075224	F.03.01_1_40560	13	1	59076682	A.01.02_1_45599	36	1	59078634	D.07.01_1_39618	4	1
59075225	F.03.01_1_40560	14	1		A.01.03_1_45644	36	1	59078865	D.13.01_0_40355	22	1
59075253	M.02.01_0_41268	37	1	59076684	A.03.01_0_45689	13	1	59079167	A.01.01_1_48842	6	1
	M.02.02_0_41339	37	1		A.03.02_0_45727	13	1		A.01.02_1_45599	6	1
59075283	B.01.01_0_47067	28	1	59076685	A.05.01_0_45829	12	1		A.01.03_1_45644	6	1
59075359	L.02.01_0_40937	27	1	59076686	A.05.01_0_45829	26	1	59079186	T.01.03_0_41614	2	1
	L.02.04_0_41097	28	1		B.02.01_1_47161	6	1	59079187	T.01.03_0_41614	3	1
59075572	D.13.01_0_40355	21	1	59076688	A.01.01_1_48842	16	1	59079478	F.02.01_0_51232	12	1
59075678	F.04.01_0_46735	12	1		A.01.02_1_45599	16	1	59079479	F.01.01_0_51108	3	1
59075679	F.04.01_0_46735	28	1		A.01.03_1_45644	16	1	59270304	W.01.01_0_44125	1/1	1
59075789	T.01.01_0_41550	5	1	59076690	B.03.01_0_50545	17	2	59271011	F.04.01_0_46735	8	1
	T.01.02_0_41578	8	1	59076756	B.01.01_0_47067	21	1	59273925	W.01.01_0_44125	1/2	1



SPARE PARTS INSTANCE INDEX

Code	Parts Table	Pos.	Q.ty	Code	Parts Table	Pos.	Q.ty	Code	Parts Table	Pos.	Q.ty
59275632	W.01.01_0_44125	10/1	1	59900030	Y.01.01_0_44535	29	2	59900075	Y.01.07_0_45001	3	4
59275633	W.01.01_0_44125	10/2	1	59900034	Y.01.01_0_44535	33	2	59900082	Y.01.08_0_45176	5	4
59276001	C.02.01_0_39058	1	1	59900035	Y.01.01_0_44535	37	4	59900090	Y.01.02_0_44621	1	1
59276076	D.12.01_1_40279	48	1	59900036	Y.01.06_0_44875	15	2	59900092	Y.01.02_0_44621	29	1
59276320	W.01.01_0_44125	6/1	1		Y.01.09_0_45063	13	16	59900093	Y.01.02_0_44621	4	1
59276321	W.01.01_0_44125	6/2	1	59900037	Y.01.01_0_44535	41	5		Y.01.03_0_44709	4	1
59276964	W.01.02_0_45287	6/2	1		Y.01.02_0_44621	34	1	59900094	Y.01.02_0_44621	5	2
59276965	W.01.02_0_45287	6/1	1	59900038	Y.01.07_0_45001	1a	1		Y.01.03_0_44709	5	1
59277414	W.01.02_0_45287	1/2	1	59900039	Y.01.07_0_45001	1b	1	59900095	Y.01.02_0_44621	6	2
59277415	W.01.02_0_45287	1/1	1	59900041	Y.01.06_0_44875	52	1		Y.01.03_0_44709	6	2
59277990	W.01.01_0_44125	15/1	1	59900042	Y.01.07_0_45001	4a	1	59900096	Y.01.02_0_44621	7a	1
59277991	W.01.01_0_44125	15/2	1	59900043	Y.01.07_0_45001	4b	1	59900097	Y.01.02_0_44621	7b	1
59278554	D.03.01_1_39393	1	1	59900046	Y.01.07_0_45001	6	1	59900098	Y.01.02_0_44621	9	1
59278555	D.03.01_1_39393	2	1	59900047	Y.01.07_0_45001	7	1		Y.01.02_0_44621	10	1
59375009	T.03.02_0_41719	1	1	59900048	Y.01.07_0_45001	8	1		Y.01.03_0_44709	9	1
59376519	D.01.01_0_40115	12	1	59900049	Y.01.07_0_45001	9	4		Y.01.03_0_44709	10	1
59377433	D.12.01_1_40279	57	1	59900050	Y.01.07_0_45001	10	1	59900102	Y.01.02_0_44621	13	9
59377730	T.03.03_0_42459	2	1	59900051	Y.01.06_0_44875	44	2		Y.01.03_0_44709	12	8
59377734	T.03.03_0_42459	1	1	59900052	Y.01.06_0_44875	29	2		Y.01.04_0_45149	4	4
59378814	D.09.01_0_39847	4	1	59900055	Y.01.06_0_44875	3	1		Y.01.05_0_44795	14	2
59900006	Y.01.01_0_44535	5	2	59900057	Y.01.06_0_44875	39	1	59900103	Y.01.02_0_44621	39	6
59900007	Y.01.01_0_44535	6	1	59900058	Y.01.06_0_44875	38	1		Y.01.03_0_44709	26	5
59900009	Y.01.01_0_44535	8	1	59900059	Y.01.06_0_44875	4	1		Y.01.04_0_45149	6	2
59900010	Y.01.01_0_44535	9	1	59900062	Y.01.06_0_44875	30	1		Y.01.05_0_44795	13	2
59900011	Y.01.01_0_44535	10	1	59900068	Y.01.06_0_44875	13	1	59900106	Y.01.02_0_44621	20	4
59900012	Y.01.01_0_44535	11	1	59900070	Y.01.06_0_44875	18	1		Y.01.03_0_44709	21	4
59900013	Y.01.01_0_44535	13	1	59900071	Y.01.06_0_44875	10	8		Y.01.05_0_44795	16	2
59900018	Y.01.06_0_44875	19	2	59900073	Y.01.07_0_45001	15	4	59900107	Y.01.02_0_44621	24	1
59900019	Y.01.06_0_44875	20	2	59900074	Y.01.02_0_44621	17	13		Y.01.03_0_44709	15	1
59900020	Y.01.06_0_44875	17	4		Y.01.03_0_44709	13	9	59900108	Y.01.02_0_44621	25	2
59900026	Y.01.01_0_44535	25	2		Y.01.04_0_45149	5	4		Y.01.03_0_44709	17	1
59900027	Y.01.01_0_44535	26	2		Y.01.05_0_44795	12	4	59900109	Y.01.01_0_44535	40	2
59900028	Y.01.01_0_44535	19	2		Y.01.07_0_45001	13	4		Y.01.02_0_44621	23	4
59900029	Y.01.01_0_44535	28	1	59900075	Y.01.06_0_44875	32	1		Y.01.03_0_44709	25	4



SPARE PARTS INSTANCE INDEX

Code	Parts Table	Pos.	Q.ty	Code	Parts Table	Pos.	Q.ty	Code	Parts Table	Pos.	Q.ty
59900109	Y.01.04_0_45149	9	2	59900184	B.12.02_0_51039	6	1	59900383	Y.01.01_0_44535	12	4
	Y.01.05_0_44795	11	9	59900185	B.12.02_0_51039	7	1	59900384	Y.01.01_0_44535	14a	1
59900117	Y.01.05_0_44795	8	2	59900186	B.12.02_0_51039	8	1	59900385	Y.01.01_0_44535	14b	1
	Y.01.07_0_45001	26	4	59900187	B.12.02_0_51039	9	1	59900386	Y.01.01_0_44535	15	2
59900118	Y.01.05_0_44795	19	1	59900200	B.12.02_0_51039	1	1	59900387	Y.01.01_0_44535	16	1
59900119	Y.01.02_0_44621	38	4	59900230	I.01.01_0_40883	10.1	1		Y.01.06_0_44875	50	1
	Y.01.03_0_44709	29	4		I.01.01_0_40883	11.1	1	59900388	Y.01.01_0_44535	17	1
	Y.01.05_0_44795	20	2	59900339	F.03.01_1_40560	32.2	1	59900389	Y.01.01_0_44535	18	1
59900123	Y.01.05_0_44795	30a	1	59900344	A.01.01_1_48842	1.3	1	59900390	Y.01.01_0_44535	20	4
59900124	Y.01.05_0_44795	30b	1		A.01.02_1_45599	1.3	1	59900391	Y.01.01_0_44535	21	1
59900125	Y.01.05_0_44795	31a	1		A.01.03_1_45644	1.3	1	59900392	Y.01.01_0_44535	23	2
59900126	Y.01.05_0_44795	31b	1	59900345	A.01.01_1_48842	1.5	1	59900393	Y.01.01_0_44535	24	2
59900127	Y.01.05_0_44795	32	1		A.01.02_1_45599	1.5	1	59900394	Y.01.01_0_44535	27	2
59900128	Y.01.05_0_44795	33	1		A.01.03_1_45644	1.5	1	59900395	Y.01.01_0_44535	30	2
59900129	Y.01.05_0_44795	28	1	59900347	A.04.01_0_45765	1.2	1		Y.01.06_0_44875	55	14
59900130	Y.01.05_0_44795	27	1		A.04.02_0_45780	1.2	1	59900396	Y.01.01_0_44535	31	1
59900131	Y.01.05_0_44795	23	1		A.04.03_0_45796	1.2	1		Y.01.07_0_45001	22	11
59900132	Y.01.03_0_44709	1	1		A.04.04_0_45812	1.2	1		Y.01.09_0_45063	24	1
59900134	Y.01.03_0_44709	34	1	59900353	A.04.01_0_45765	1.1	1	59900397	Y.01.01_0_44535	32	2
59900135	Y.01.03_0_44709	7a	1		A.04.02_0_45780	1.1	1	59900398	Y.01.01_0_44535	35	8
59900136	Y.01.03_0_44709	8	1		A.04.03_0_45796	1.1	1		Y.01.07_0_45001	18	2
59900138	Y.01.02_0_44621	41	1		A.04.04_0_45812	1.1	1	59900399	Y.01.01_0_44535	36	1
	Y.01.03_0_44709	14	1	59900361	W.01.01_0_44125	1.3	1		Y.01.06_0_44875	33	1
59900152	B.12.01_0_46793	15	1		W.01.01_0_44125	6.3	1	59900400	Y.01.02_0_44621	2	1
59900153	B.12.01_0_46793	9	1		W.01.01_0_44125	10.3	1	59900401	Y.01.02_0_44621	3	1
59900154	B.12.01_0_46793	8	4		W.01.02_0_45287	6.3	1	59900402	Y.01.02_0_44621	12	2
59900155	B.12.01_0_46793	7/1	1	59900376	D.12.01_1_40279	12	1		Y.01.03_0_44709	22	2
59900156	B.12.01_0_46793	6	1	59900377	Y.01.05_0_44795	1a	1	59900403	Y.01.02_0_44621	16	1
59900157	B.12.01_0_46793	11	1	59900378	Y.01.01_0_44535	1	1		Y.01.03_0_44709	31	1
59900158	B.12.01_0_46793	10	18	59900379	Y.01.01_0_44535	2	1	59900404	Y.01.02_0_44621	19	2
59900159	B.12.01_0_46793	5	1	59900380	Y.01.01_0_44535	3	1		Y.01.07_0_45001	14	4
59900160	B.12.01_0_46793	12	1	59900381	Y.01.01_0_44535	4	2	59900405	Y.01.02_0_44621	27	2
59900161	B.12.01_0_46793	14	1	59900382	Y.01.01_0_44535	7	2		Y.01.03_0_44709	27	2
59900183	B.12.02_0_51039	5	1		Y.01.08_0_45176	4	1	59900406	Y.01.02_0_44621	28	2



SPARE PARTS INSTANCE INDEX

Code	Parts Table	Pos.	Q.ty	Code	Parts Table	Pos.	Q.ty	Code	Parts Table	Pos.	Q.ty
59900406	Y.01.03_0_44709	28	2	59900432	Y.01.09_0_45063	25	1	59900465	Y.01.06_0_44875	48	2
59900407	Y.01.02_0_44621	30	1	59900433	Y.01.05_0_44795	34a	1	59900466	Y.01.06_0_44875	49	1
	Y.01.03_0_44709	20	1	59900434	Y.01.05_0_44795	34b	1		Y.01.07_0_45001	11	1
	Y.01.03_0_44709	30	1	59900435	Y.01.06_0_44875	1	1	59900467	Y.01.06_0_44875	51	2
59900408	Y.01.02_0_44621	31	2	59900436	Y.01.06_0_44875	2	1	59900468	Y.01.06_0_44875	53	2
	Y.01.03_0_44709	32	2	59900437	Y.01.06_0_44875	5	1	59900469	Y.01.06_0_44875	54	1
59900409	Y.01.02_0_44621	32	1	59900438	Y.01.06_0_44875	6	1	59900470	Y.01.06_0_44875	56a	1
	Y.01.03_0_44709	33	1	59900439	Y.01.06_0_44875	7	9	59900471	Y.01.06_0_44875	56b	1
59900410	Y.01.02_0_44621	33	1	59900440	Y.01.06_0_44875	8	1	59900472	Y.01.06_0_44875	57a	1
59900411	Y.01.02_0_44621	36	1	59900441	Y.01.06_0_44875	9	1	59900473	Y.01.06_0_44875	57b	1
	Y.01.03_0_44709	11	1	59900442	Y.01.06_0_44875	11	1	59900474	Y.01.06_0_44875	59	4
	Y.01.09_0_45063	21	4	59900443	Y.01.06_0_44875	12	1	59900475	Y.01.07_0_45001	2	1
59900412	Y.01.02_0_44621	42	1	59900444	Y.01.06_0_44875	14	1	59900476	Y.01.07_0_45001	5	3
59900413	Y.01.03_0_44709	2	1	59900445	Y.01.06_0_44875	16	1	59900477	Y.01.07_0_45001	12	1
59900414	Y.01.03_0_44709	3	1	59900446	Y.01.06_0_44875	21	1	59900478	Y.01.07_0_45001	21	1
59900415	Y.01.03_0_44709	41	1	59900447	Y.01.06_0_44875	22	1	59900479	Y.01.07_0_45001	27a	1
59900416	Y.01.03_0_44709	42	1		Y.01.09_0_45063	11	1	59900480	Y.01.07_0_45001	27b	1
59900417	Y.01.04_0_45149	1a	1	59900448	Y.01.06_0_44875	23	1	59900481	Y.01.08_0_45176	1	1
59900418	Y.01.04_0_45149	1b	1	59900449	Y.01.06_0_44875	24	1	59900482	Y.01.08_0_45176	2a	1
59900419	Y.01.04_0_45149	2	1	59900450	Y.01.06_0_44875	25	1	59900483	Y.01.08_0_45176	2b	1
59900420	Y.01.04_0_45149	10a	1	59900451	Y.01.06_0_44875	26	1	59900484	Y.01.08_0_45176	3a	1
59900421	Y.01.04_0_45149	10b	1	59900452	Y.01.06_0_44875	27	1	59900485	Y.01.08_0_45176	3b	1
59900422	Y.01.05_0_44795	1b	1	59900453	Y.01.06_0_44875	28	1	59900486	Y.01.08_0_45176	7	4
59900423	Y.01.05_0_44795	2	1	59900454	Y.01.06_0_44875	34	4	59900487	Y.01.08_0_45176	9	4
59900424	Y.01.05_0_44795	3	2	59900455	Y.01.06_0_44875	35	4	59900488	Y.01.08_0_45176	10	4
59900425	Y.01.05_0_44795	4	2	59900456	Y.01.06_0_44875	36	1	59900489	Y.01.08_0_45176	11	4
59900426	Y.01.05_0_44795	5	2	59900457	Y.01.06_0_44875	37a	1	59900490	Y.01.08_0_45176	12	1
59900427	Y.01.05_0_44795	6	2	59900458	Y.01.06_0_44875	37b	1	59900491	Y.01.08_0_45176	13	8
59900428	Y.01.05_0_44795	15	1	59900459	Y.01.06_0_44875	40	1	59900492	Y.01.08_0_45176	14	8
59900429	Y.01.05_0_44795	18	1	59900460	Y.01.06_0_44875	41	2	59900493	Y.01.08_0_45176	16	4
59900430	Y.01.05_0_44795	22a	1	59900461	Y.01.06_0_44875	42	2	59900494	Y.01.08_0_45176	19	8
59900431	Y.01.05_0_44795	22b	1	59900462	Y.01.06_0_44875	43	8	59900495	Y.01.08_0_45176	20	2
59900432	Y.01.05_0_44795	24	2	59900463	Y.01.06_0_44875	45	2	59900496	Y.01.08_0_45176	21	1
	Y.01.07_0_45001	20	2	59900464	Y.01.06_0_44875	46	6	59900497	Y.01.08_0_45176	22	1



SPARE PARTS INSTANCE INDEX

Code	Parts Table	Pos.	Q.ty	Code	Parts Table	Pos.	Q.ty	Code	Parts Table	Pos.	Q.ty
59900498	Y.01.08_0_45176	23	1	59900766	A.01.02_1_45599	1.4	1	F0801241010	D.05.01_1_42883	4	4
59900499	Y.01.09_0_45063	1	1		A.01.03_1_45644	1.4	1		D.12.01_1_40279	15	1
59900500	Y.01.09_0_45063	2	1	59900975	B.02.01_1_47161	1/1	1		D.15.01_0_40390	10	1
59900501	Y.01.09_0_45063	3	1	59900976	B.02.01_1_47161	1/3	1		L.01.01_0_40903	23	2
59900502	Y.01.09_0_45063	4	1	59900977	B.02.01_1_47161	1/5	1		M.01.01_0_41199	33	2
59900503	Y.01.09_0_45063	5	1	59900978	B.02.01_1_47161	1/7	1	F0801248000	D.12.01_1_40279	12.3	1
59900504	Y.01.09_0_45063	6	1	59900979	B.02.01_1_47161	1/9	1	F0801264050	D.02.01_0_39284	12	1
59900505	Y.01.09_0_45063	7	1	59900980	B.02.01_1_47161	1/11	1		D.04.01_1_42845	1	1
59900506	Y.01.09_0_45063	8	1	59900981	B.02.01_1_47161	1/2	1	F0801266100	D.02.01_0_39284	20	1
59900507	Y.01.09_0_45063	9	1	59900982	B.02.01_1_47161	1/4	1	F0801282000	L.02.01_0_40937	38	12
59900508	Y.01.09_0_45063	10	1	59900983	B.02.01_1_47161	1/6	1		L.02.04_0_41097	39	12
59900509	Y.01.09_0_45063	12a	1	59900984	B.02.01_1_47161	1/8	1		M.02.01_0_41268	58	12
59900510	Y.01.09_0_45063	12b	1	59900985	B.02.01_1_47161	1/10	1		M.02.02_0_41339	58	12
59900511	Y.01.09_0_45063	14	1	59900986	B.02.01_1_47161	1/12	1	F0801282050	D.12.01_1_40279	45	1
59900512	Y.01.09_0_45063	15	1	59901048	B.12.01_0_46793	2	1	F0801297050	D.12.01_1_40279	49	1
59900513	Y.01.09_0_45063	16	1	59901049	B.12.01_0_46793	4	1	F0801299100	D.06.01_1_42932	21	2
59900514	Y.01.09_0_45063	17	1	59901086	E.01.01_0_42630	8.1	2	F0801310600	C.01.01_1_38975	43	1
59900515	Y.01.09_0_45063	18	2	F0150010905	W.01.01_0_44125	11	1	F0801331050	L.01.01_0_40903	20	2
59900516	Y.01.09_0_45063	19	4		W.01.02_0_45287	7	1		M.01.01_0_41199	30	2
59900517	Y.01.09_0_45063	22	1	F0150036215	B.12.02_0_51039	2	1	F0801331150	D.04.01_1_42845	7	2
59900518	Y.01.09_0_45063	23	1	F0150036219	B.12.02_0_51039	3	1	F0801353000	D.04.01_1_42845	12	1
59900519	Y.01.09_0_45063	26	1	F0190018909	E.02.01_0_46767	2	1		D.12.01_1_40279	9	1
59900520	Y.01.09_0_45063	27	1	F0256808000	A.05.01_0_45829	31	1	F0801380100	D.04.01_1_42845	16	2
59900521	Y.01.09_0_45063	28	1		B.04.01_0_39904	26	1	F0801422010	D.01.01_0_40115	10	2
59900522	Y.01.09_0_45063	29	1	F0256809050	A.03.01_0_45689	6	1	F0801455100	D.02.01_0_39284	32	1
59900523	Y.01.09_0_45063	30	1		A.03.02_0_45727	6	1	F0802104000	D.09.01_0_39847	1	1
59900524	Y.01.09_0_45063	31	1	F0256910010	B.05.01_0_50640	11	1	F0802119050	D.01.01_0_40115	24	4
59900525	Y.01.09_0_45063	32	1		B.05.02_0_50667	9	1	F0802163010	D.02.01_0_39284	11	1
59900526	Y.01.09_0_45063	33	1	F0801022000	T.03.03_0_42459	16	1	F0802228005	D.12.01_1_40279	29	1
59900527	Y.01.09_0_45063	34	1	F0801028000	T.03.03_0_42459	10	6	F0802239045	D.01.01_0_40115	7	1
59900528	Y.01.09_0_45063	35a	1	F0801050000	M.01.01_0_41199	23	1	F0802700150	D.10.01_0_39887	1	1
59900529	Y.01.09_0_45063	35b	1	F0801095000	D.15.01_0_40390	27	1	F0803057000	D.03.01_1_39393	15	2
59900530	Y.01.09_0_45063	36	1	F0801138010	D.02.01_0_39284	9	1	F0803078100	D.01.01_0_40115	5	1
59900766	A.01.01_1_48842	1.4	1	F0801218010	D.01.01_0_40115	28	2	F0803185000	L.02.01_0_40937	2	1



SPARE PARTS INSTANCE INDEX

Code	Parts Table	Pos.	Q.ty	Code	Parts Table	Pos.	Q.ty	Code	Parts Table	Pos.	Q.ty
F0803185000	L.02.04_0_41097	2	1	F0812951300	D.12.01_1_40279	21	1	F0817500470	A.03.02_0_45727	25	2
	M.02.01_0_41268	2	1	F0812956000	D.01.01_0_40115	14	2	F0817500500	A.03.01_0_45689	22	1
	M.02.02_0_41339	2	1		D.09.01_0_39847	13	2		A.03.02_0_45727	22	1
F0803199010	D.12.01_1_40279	66	1	F0812957000	D.06.01_1_42932	14	1	F0817500700	A.03.01_0_45689	24	1
F0803209000	D.11.01_0_40184	4	1	F0812957010	D.12.01_1_40279	11	1		A.03.02_0_45727	24	1
F0803209070	C.01.01_1_38975	13	1	F0812975250	D.10.01_0_39887	2	2	F0817500800	A.04.03_0_45796	9	1
F0803259000	C.01.01_1_38975	12	1	F0814545000	A.03.01_0_45689	20	2		A.04.04_0_45812	10	1
F0808060100	T.03.01_0_41710	2	1		A.03.02_0_45727	20	2	F0817500900	A.04.03_0_45796	10	1
F0808518050	B.07.01_0_42552	31	4	F0814547000	B.02.01_1_47161	26	8		A.04.04_0_45812	11	1
F0810510000	D.03.01_1_39393	24	2	F0814569000	B.01.01_0_47067	20	1	F0817501000	A.04.01_0_45765	9	2
	D.14.01_0_40378	6	2		D.03.01_1_39393	19	1		A.04.02_0_45780	10	2
	D.15.01_0_40390	15	3		M.01.01_0_41199	24	5	F0817501200	A.04.01_0_45765	7	1
F0810527000	D.03.01_1_39393	32	1	F0814585000	B.02.01_1_47161	5	3		A.04.03_0_45796	7	1
F0812523050	D.02.01_0_39284	1	1	F0814627000	D.15.01_0_40390	19	1	F0817503000	F.01.01_0_51108	9	8
F0812599086	D.12.01_1_40279	12.1	1	F0814632000	A.03.01_0_45689	10	4	F0817640003	D.07.01_1_39618	5	3
F0812637000	D.12.01_1_40279	2	2		A.03.02_0_45727	10	4	F0822537050	D.03.01_1_39393	29	1
F0812660020	D.04.01_1_42845	21	1		C.01.01_1_38975	10	2		D.15.01_0_40390	30	2
F0812689050	D.12.01_1_40279	12.2	1	F0814647000	B.09.01_0_38809	8	2	F0824022000	L.02.01_0_40937	5	1
F0812692015	D.06.01_1_42932	16	1	F0814750010	C.03.01_0_39252	9	16		L.02.04_0_41097	5	1
F0812708030	D.05.01_1_42883	2	1	F0814793010	W.01.01_0_44125	15.5	6		M.02.01_0_41268	5	1
F0812736010	D.12.01_1_40279	31	1	F0814794000	B.03.01_0_50545	21	2		M.02.02_0_41339	5	1
F0812747000	C.01.01_1_38975	28	4	F0814797000	C.01.01_1_38975	31.1	2	F0824110000	F.03.01_1_40560	37	2
F0812783000	D.04.01_1_42845	19	1	F0817500200	A.01.01_1_48842	29	1		F.04.01_0_46735	21	2
F0812784000	D.12.01_1_40279	18	2		A.01.02_1_45599	29	1		L.02.01_0_40937	25	14
F0812811000	D.06.01_1_42932	20	2		A.01.03_1_45644	29	1		L.02.04_0_41097	26	15
F0812859000	D.01.01_0_40115	9	2		A.03.01_0_45689	31	4		M.02.01_0_41268	11	17
F0812868000	D.04.01_1_42845	2	1		A.03.02_0_45727	31	4		M.02.02_0_41339	11	18
F0812868100	D.02.01_0_39284	15	1		A.05.01_0_45829	20	4	F0824113000	C.03.01_0_39252	15	1
F0812878040	D.04.01_1_42845	4	2	F0817500400	A.01.01_1_48842	28	3		F.02.01_0_51232	14	2
F0812899000	D.06.01_1_42932	2	1		A.01.02_1_45599	28	3		F.03.01_1_40560	19	2
F0812918010	D.04.01_1_42845	22	1		A.01.03_1_45644	28	3		L.02.01_0_40937	32	4
	D.12.01_1_40279	27	3		A.03.01_0_45689	33	2		L.02.04_0_41097	33	4
F0812951070	D.06.01_1_42932	5	2		A.03.02_0_45727	33	2		M.02.01_0_41268	53	4
F0812951200	D.04.01_1_42845	15	2	F0817500470	A.03.01_0_45689	25	2		M.02.02_0_41339	53	4

SPARE PARTS INSTANCE INDEX

Code	Parts Table	Pos.	Q.ty	Code	Parts Table	Pos.	Q.ty	Code	Parts Table	Pos.	Q.ty
F0824141000	F.03.01_1_40560	22	9	F0828468050	D.13.01_0_40355	12	2	F0843116000	L.02.01_0_40937	42	1
	L.02.01_0_40937	37	7	F0831047000	D.13.01_0_40355	9	1		M.02.01_0_41268	30	2
	L.02.04_0_41097	38	6	F0831065000	B.01.01_0_47067	13	1		M.02.01_0_41268	62	1
	M.02.01_0_41268	31	4	F0831125000	A.02.01_0_42497	13	1		M.02.02_0_41339	30	2
	M.02.01_0_41268	57	7	F0835037000	L.02.01_0_40937	36	5	F0843561000	A.02.01_0_42497	22	1
	M.02.02_0_41339	31	4		L.02.04_0_41097	37	6	F0843570000	A.01.01_1_48842	24	2
	M.02.02_0_41339	57	6		M.02.01_0_41268	56	5		A.01.02_1_45599	24	2
F0824185000	F.01.01_0_51108	22	1		M.02.02_0_41339	56	6		A.01.03_1_45644	24	2
	F.04.01_0_46735	16	1	F0835040030	F.03.01_1_40560	26	3		A.03.01_0_45689	3	6
F0825115010	B.08.01_0_38736	10	1	F0835523000	D.03.01_1_39393	26	1		A.03.02_0_45727	3	6
F0825400060	B.08.01_0_38736	9	1	F0837534010	L.02.01_0_40937	16	4		A.05.01_0_45829	28	2
F0825403050	B.08.01_0_38736	18	1		L.02.04_0_41097	17	4		B.01.01_0_47067	23	12
F0825414000	A.05.01_0_45829	25	2		M.02.01_0_41268	17	3		B.02.01_1_47161	15	2
F0825417000	E.02.01_0_46767	8	1		M.02.02_0_41339	17	3		B.04.01_0_39904	20	4
F0825436000	B.08.01_0_38736	7.3	1	F0838154010	D.12.01_1_40279	59	2		B.09.01_0_38809	12	4
F0825436003	B.08.01_0_38736	7.4	1	F0838475000	C.01.01_1_38975	9	2		C.01.01_1_38975	49	8
F0825480100	E.02.01_0_46767	1	1	F0842512000	F.03.01_1_40560	20	2		F.02.01_0_51232	7	4
F0825500220	B.08.01_0_38736	8.1	1	F0843107000	F.03.01_1_40560	34	1		F.03.01_1_40560	16	1
F0825718020	F.01.01_0_51108	14.1	2		F.04.01_0_46735	13	8		F.04.01_0_46735	6	3
F0825809000	L.02.01_0_40937	1	1	F0843109000	F.03.01_1_40560	31	2		M.01.01_0_41199	57	2
	L.02.04_0_41097	1	1	F0843109020	F.03.01_1_40560	36	1		M.01.01_0_41199	63	1
	M.02.01_0_41268	1	1		F.04.01_0_46735	20/1	1	F0843581010	D.03.01_1_39393	7	2
	M.02.02_0_41339	1	1		L.02.01_0_40937	24	4	F0843641000	D.03.01_1_39393	10	1
F0825980030	L.02.01_0_40937	39	6		L.02.04_0_41097	25	4		D.12.01_1_40279	63	1
	L.02.04_0_41097	40	6		M.02.01_0_41268	10	4	F0843643060	A.01.01_1_48842	4	7
	M.02.01_0_41268	59	6		M.02.02_0_41339	10	4		A.01.02_1_45599	4	7
	M.02.02_0_41339	59	6	F0843110010	F.03.01_1_40560	18	1		A.01.03_1_45644	4	7
F0826039000	D.03.01_1_39393	31	1		L.02.01_0_40937	31	2		A.02.01_0_42497	5	3
F0826056000	C.02.01_0_39058	7	2		L.02.04_0_41097	32	2		A.03.01_0_45689	17	3
	L.01.01_0_40903	6	1		M.02.01_0_41268	25	3		A.03.02_0_45727	17	3
	M.01.01_0_41199	7	3		M.02.01_0_41268	52	2		A.05.01_0_45829	30	1
	T.01.03_0_41614	4	2		M.02.02_0_41339	25	1		B.01.01_0_47067	19	1
	T.03.02_0_41719	1.2	1		M.02.02_0_41339	52	2		B.02.01_1_47161	9	6
F0828029070	A.02.01_0_42497	1	1	F0843116000	F.03.01_1_40560	21	3		B.04.01_0_39904	25	6

SPARE PARTS INSTANCE INDEX

Code	Parts Table	Pos.	Q.ty	Code	Parts Table	Pos.	Q.ty	Code	Parts Table	Pos.	Q.ty
F0843643060	B.09.01_0_38809	3	4	F0843755000	T.01.02_0_41578	11	8	F0847434000	D.13.01_0_40355	19	2
	C.01.01_1_38975	36	2		T.01.03_0_41614	16	8	F0847462000	D.13.01_0_40355	8	1
	C.02.01_0_39058	11	2		T.01.03_0_41614	18	2	F0848655100	W.01.01_0_44125	14	1
	D.15.01_0_40390	25	3	F0843771000	D.07.01_1_39618	15	5	F0848664000	W.01.01_0_44125	5	1
	F.01.01_0_51108	17	12		F.04.01_0_46735	18	3	F0848679500	W.01.01_0_44125	9	1
	F.03.01_1_40560	8	4	F0843815000	F.02.01_0_51232	11	2	F0848679600	W.01.01_0_44125	12	1
	F.04.01_0_46735	3	2	F0843818000	B.04.01_0_39904	10	6	F0848679700	W.01.02_0_45287	8	1
	L.01.01_0_40903	10	2		B.04.02_0_39936	8	6	F0848680000	W.01.01_0_44125	7	1
	L.01.01_0_40903	26	2	F0843841000	D.03.01_1_39393	3	2	F0848681600	W.01.02_0_45287	12	1
	L.02.01_0_40937	9	7		F.04.01_0_46735	11	1	F0848681605	W.01.02_0_45287	13	1
	L.02.04_0_41097	9	7	F0843907000	D.03.01_1_39393	8	2	F0848683000	W.01.02_0_45287	10	1
	M.01.01_0_41199	11	2		F.01.01_0_51108	8	1	F0848683500	W.01.02_0_45287	9	1
	M.01.01_0_41199	36	2		F.03.01_1_40560	35	2	F0848920000	W.01.01_0_44125	4	1
	M.02.01_0_41268	9	13		F.04.01_0_46735	14	16		W.01.02_0_45287	4	1
	M.02.02_0_41339	9	13	F0843921030	B.01.01_0_47067	26	2	F0848940000	W.01.01_0_44125	8	1
	T.01.01_0_41550	13	2	F0843948000	F.03.01_1_40560	29	10	F0849206005	A.03.01_0_45689	19	1
	T.01.02_0_41578	16	2		F.04.01_0_46735	9	1		A.03.02_0_45727	19	1
	T.01.03_0_41614	22	2	F0843993060	W.01.01_0_44125	19	4	F0849500001	A.05.01_0_45829	1.1	1
F0843696000	B.12.02_0_51039	12	4		W.01.02_0_45287	17	4	F0849500002	A.05.01_0_45829	1.2	1
F0843755000	A.01.01_1_48842	11	6	F0844030070	A.01.01_1_48842	22	1	F0850100000	D.05.01_1_42883	1	1
	A.01.02_1_45599	11	6		A.01.02_1_45599	22	1	F0850100010	D.05.01_1_42883	1	1
	A.01.03_1_45644	11	6		A.01.03_1_45644	22	1	F0850100020	D.05.01_1_42883	1	1
	A.03.01_0_45689	9	5	F0844082000	W.01.01_0_44125	15.4	6	F0851044000	D.01.01_0_40115	29	3
	A.03.02_0_45727	9	5	F0844084000	W.01.02_0_45287	1.4	5	F0851156000	D.07.01_1_39618	33	4
	A.05.01_0_45829	15	2	F0844150000	W.01.01_0_44125	3	1	F0851180000	D.13.01_0_40355	16	2
	B.04.01_0_39904	8	6		W.01.02_0_45287	3	4	F0851226000	D.12.01_1_40279	58	1
	B.04.02_0_39936	6	6	F0844273090	C.01.01_1_38975	5	2	F0851260000	D.11.01_0_40184	16	1
	C.01.01_1_38975	11	2		C.03.01_0_39252	5	1	F0851262000	D.07.01_1_39618	34	4
	E.02.01_0_46767	6	1		D.10.01_0_39887	16	1		D.15.01_0_40390	4	1
	F.01.01_0_51108	19	4		L.02.01_0_40937	44	1	F0851267050	D.07.01_1_39618	35	3
	F.02.01_0_51232	10	2		L.02.04_0_41097	43	1		D.11.01_0_40184	11	1
	F.03.01_1_40560	4	6		M.02.01_0_41268	64	1	F0851486000	L.01.01_0_40903	31	1
	M.01.01_0_41199	48	2		M.02.02_0_41339	62	1		M.01.01_0_41199	54	1
	T.01.01_0_41550	8	8	F0847434000	D.07.01_1_39618	38	5		T.01.01_0_41550	10.2	3

SPARE PARTS INSTANCE INDEX

Code	Parts Table	Pos.	Q.ty	Code	Parts Table	Pos.	Q.ty	Code	Parts Table	Pos.	Q.ty
F0851486000	T.01.02_0_41578	4.4	1	F0862345000	D.03.01_1_39393	6	2	F0863311250	D.01.01_0_40115	13	8
	T.01.02_0_41578	5.4	1		F.04.01_0_46735	5	2		D.09.01_0_39847	5	8
	T.01.02_0_41578	13.2	2	F0862448100	D.03.01_1_39393	11	1	F0863429000	L.01.01_0_40903	4	4
	T.01.03_0_41614	7	4		D.12.01_1_40279	62	1		M.01.01_0_41199	4	4
	T.01.03_0_41614	19.2	4	F0862462010	L.02.01_0_40937	4	1	F0863672010	T.03.03_0_42459	13	1
	T.03.01_0_41710	5	4		L.02.04_0_41097	4	1	F0863728010	Y.01.08_0_45176	15	4
	T.03.02_0_41719	3	4		M.02.01_0_41268	4	1	F0863890010	C.03.01_0_39252	13	16
F0851497000	B.01.01_0_47067	29	1		M.02.02_0_41339	4	1	F0863925000	C.02.01_0_39058	3	8
	T.03.01_0_41710	3	1	F0862464050	A.05.01_0_45829	24	2	F0863951000	C.02.01_0_39058	4	1
F0852107050	T.01.01_0_41550	4.1	1	F0862478070	D.10.01_0_39887	8	3	F0864180000	T.03.01_0_41710	8	8
F0852538050	F.01.01_0_51108	7	1	F0862479020	B.08.01_0_38736	16	4		T.03.02_0_41719	6	8
F0852540050	C.02.01_0_39058	2	1	F0862479032	B.09.01_0_38809	6	2	F0864222010	C.01.01_1_38975	17	16
F0852550010	L.02.01_0_40937	40/1	2	F0862479035	A.01.01_1_48842	5	1		T.03.03_0_42459	3	8
	L.02.04_0_41097	41/1	2		A.01.02_1_45599	5	1	F0864314000	W.01.01_0_44125	18	4
	M.02.01_0_41268	60/1	2		A.01.03_1_45644	5	1		W.01.02_0_45287	16	4
	M.02.02_0_41339	60/1	2		B.04.01_0_39904	19	4	F0864335020	A.01.01_1_48842	19	1
F0852550020	L.02.01_0_40937	40/2	2	F0862481000	A.05.01_0_45829	18	2		A.01.02_1_45599	19	1
	L.02.04_0_41097	41/2	2		M.02.01_0_41268	35	1		A.01.03_1_45644	19	1
	M.02.01_0_41268	60/2	2		M.02.02_0_41339	35	1	F0864357050	W.01.01_0_44125	15.3	6
	M.02.02_0_41339	60/2	2	F0862495010	B.12.02_0_51039	11	4	F0864357100	W.01.02_0_45287	1.3	5
F0852550030	L.02.01_0_40937	40/3	1	F0862593050	M.01.01_0_41199	52	1	F0864377000	B.03.01_0_50545	20	2
	L.02.04_0_41097	41/3	2	F0862655000	D.10.01_0_39887	14	4	F0864410500	W.01.01_0_44125	2	4
	M.02.01_0_41268	60/3	1	F0862694000	A.01.02_1_45599	3	3		W.01.02_0_45287	2	4
	M.02.02_0_41339	60/3	1		A.01.03_1_45644	3	3	F0865040000	B.08.01_0_38736	1	1
F0852550040	L.02.01_0_40937	40/4	1		D.03.01_1_39393	18	1	F0865040020	B.08.01_0_38736	2	1
	M.02.01_0_41268	60/4	1		F.03.01_1_40560	7	4	F0865474000	B.08.01_0_38736	3	1
F0852578060	D.07.01_1_39618	41	1	F0862728000	Y.01.05_0_44795	29	1	F0865474005	B.08.01_0_38736	3.1	1
	D.12.01_1_40279	48.1	2	F0862785000	D.01.01_0_40115	2/1	1	F0907170150	B.07.01_0_42552	36	1
F0858520000	A.02.01_0_42497	7	1	F0862796000	F.01.01_0_51108	5	4	P000000005545	Y.01.01_0_44535	34	2
F0861867050	A.05.01_0_45829	4	6	F0862944000	D.07.01_1_39618	13	1	P000000009122	W.01.01_0_44125	13	1
F0861973000	M.02.01_0_41268	40	5	F0863183000	D.07.01_1_39618	40	1	P000000260007	B.02.01_1_47161	13	1
	M.02.02_0_41339	40	5	F0863208050	M.01.01_0_41199	46	1	P236220000000	A.03.01_0_45689	28	1
F0862261010	Y.01.02_0_44621	11	1	F0863267050	C.01.01_1_38975	25	6		A.03.02_0_45727	28	1
	Y.01.03_0_44709	18	1	F0863302000	T.01.03_0_41614	9	2	P236340000000	A.03.01_0_45689	26	1



SPARE PARTS INSTANCE INDEX

Code	Parts Table	Pos.	Q.ty
P236340000000	A.03.02_0_45727	26	1
P241171000000	L.02.01_0_40937	28	1
	L.02.04_0_41097	29	1
P254124000000	F.04.01_0_46735	30	2
P439149000000	B.03.01_0_50545	19	2
P470330000000	D.12.01_1_40279	14	1
P470433000000	D.12.01_1_40279	13	1
P917280000000	B.03.01_0_50545	18	2